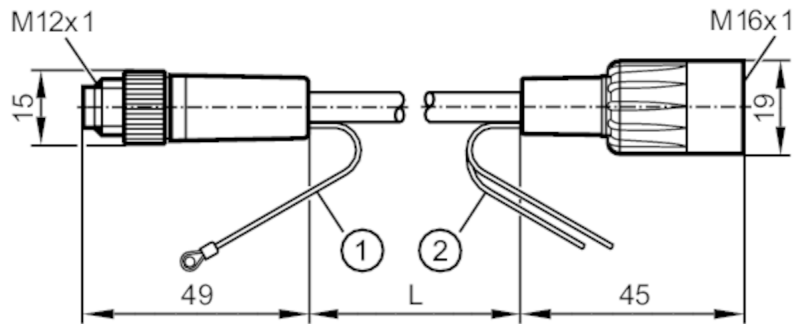


# E2M200



## Adapter cables for cameras with video output

ADAPTER CABLE M12-M16



- 1 screen L= 120
- 2 voltage supply L= 250

### Application

Special feature	Free from silicone; Gold-plated contacts
Design	camera with video output O2M20x
Free from silicone	yes

### Electrical data

Operating voltage [V]	< 60 DC
Protection class	II
Max. current load total [A]	4

### Operating conditions

Ambient temperature [°C]	-45...85
Protection	IP 67

### Mechanical data

Weight [g]	72.4
Mounting thread	M16
Materials	housing: PVC; Sealing: EPDM
Material nut	PVC / PVC

### Remarks

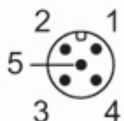
Pack quantity	1 pcs.
---------------	--------

### Electrical connection

Cable: 0.6 m, PVC, black, Ø 6 mm; 3 x 0.34 mm<sup>2</sup> / AWG 22 + 1 x 0.11 mm<sup>2</sup> / AWG 26

### Electrical connection - plug

Connector: 1 x M12, straight; Locking: PVC; Contacts: gold-plated; Tightening torque: 0.6...1.5 Nm



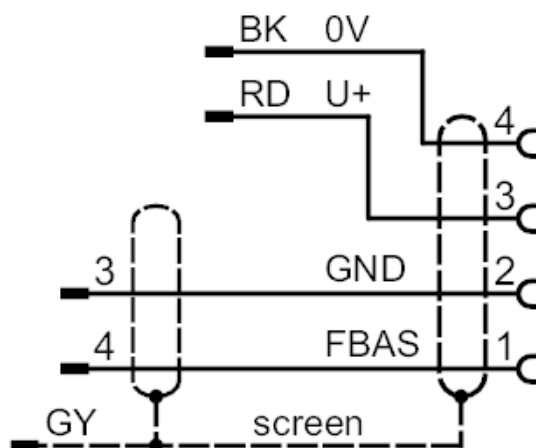
# E2M200



## Adapter cables for cameras with video output

ADAPTER CABLE M12-M16

### Connection



Core colours :

BK = black  
GY = grey  
RD = red

### Electrical connection - socket

Connector: 1 x M16, straight; Locking: PVC; Contacts: gold-plated; Tightening torque: 0.6...1.5 Nm

