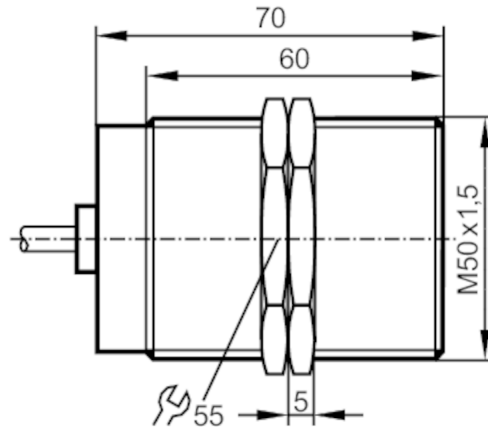




Inductive high-temperature sensor

I9-3020ZBPKG/M50/5M/SH



Product characteristics

Electrical design		PNP
Output function		normally open
Sensing range	[mm]	20
Housing		threaded type
Dimensions	[mm]	M50 x 1.5 / L = 70

Application

Application	high-temperature applications
-------------	-------------------------------

Electrical data

Operating voltage	[V]	10...35 DC
Current consumption	[mA]	< 15
Protection class		III
Reverse polarity protection		yes

Outputs

Electrical design		PNP
Output function		normally open
Max. voltage drop switching output DC	[V]	2
Permanent current rating of switching output DC	[mA]	150
Switching frequency DC	[Hz]	100
Short-circuit protection		yes
Type of short-circuit protection		pulsed
Overload protection		yes

Detection zone

Sensing range	[mm]	20
Operating distance	[mm]	0...16.2

I95045



Inductive high-temperature sensor

I9-3020ZBPKG/M50/5M/SH

Accuracy / deviations		
Correction factor	steel: 1 / stainless steel: 0.6 / brass: 0.3 / aluminium: 0.2 / copper: 0.1	
Hysteresis [% of Sr]	3...15	
Switch point drift [% of Sr]	-10...10	
Operating conditions		
Ambient temperature [°C]	0...180	
Protection	IP 65	
Tests / approvals		
EMC	EN 61000-4-2 ESD	2 kV CD / 4 kV AD
	EN 61000-4-3 HF radiated	3 V/m
	EN 61000-4-4 Burst	2 kV
	EN 61000-4-6 HF conducted	3 V
Mechanical data		
Weight [g]	560.5	
Housing	threaded type	
Mounting	flush mountable	
Dimensions [mm]	M50 x 1.5 / L = 70	
Thread designation	M50 x 1.5	
Materials	housing: stainless steel; sensing face: LCP	
Accessories		
Accessories (supplied)	lock nuts: 2	
Remarks		
Pack quantity	1 pcs.	

I95045



Inductive high-temperature sensor

I9-3020ZBPKG/M50/5M/SH

Electrical connection

Cable: 5 m, silicone; highly flexible; 3 x 0.34 mm²

Connection



Core colours :

BK =	black
BN =	brown
BU =	blue