



Part no.: 50141925
LCAM 408i C7F-XX-MT
Camera



Figure can vary

Contents

- Technical data
- Dimensioned drawings
- Electrical connection
- Accessories

Part no.: 50141925 – LCAM 408i C7F-XX-MT – Camera

Technical data

Basic data	
Series	LCAM
Suitable for	Use of coolants and lubricants
Chip	CMOS
Special design	
Special design	Optics can be cleaned via compressed air connection with max. 6 bar
Functions	
Software functions	Image transfer
Optical data	
Working range	1,000 ... 5,000 mm
Camera resolution, horizontal	2,592 px
Camera resolution, vertical	1,944 px
Focal length	4 mm
Chip size	1/2.5 in
Frame rate (images per second), max.	53 pieces per second
Camera type	Color
Electrical data	
Performance data	
Supply voltage U_B	18 ... 30 V , DC
Power consumption, max.	3.6 W
Interface	
Type	Ethernet
Ethernet	
Address assignment	DHCP Manual address assignment
Transmission speed	1 Gbit/s 10 Mbit/s 100 Mbit/s
Function	Process Service
Switch functionality	None
Transmission protocol	TCP/IP , RTP/RTSP
Connection	
Connection 1	
Function	Configuration interface Data interface Service interface
Type of connection	Connector
Designation on device	SERVICE
Thread size	M12
No. of pins	8 -pin
Encoding	X-coded

Part no.: 50141925 – LCAM 408i C7F-XX-MT – Camera

Connection 2

Function	Voltage supply
Type of connection	Connector
Designation on device	PWR
Thread size	M12
No. of pins	4 -pin
Encoding	A-coded

Mechanical data

Dimension (W x H x L)	76.5 mm x 66 mm x 126 mm
Housing material	Metal
Lens cover material	Glass (seal material: FKM)
Net weight	664 g

Environmental data

Ambient temperature, operation	-30 ... 70 °C
--------------------------------	---------------

Certifications

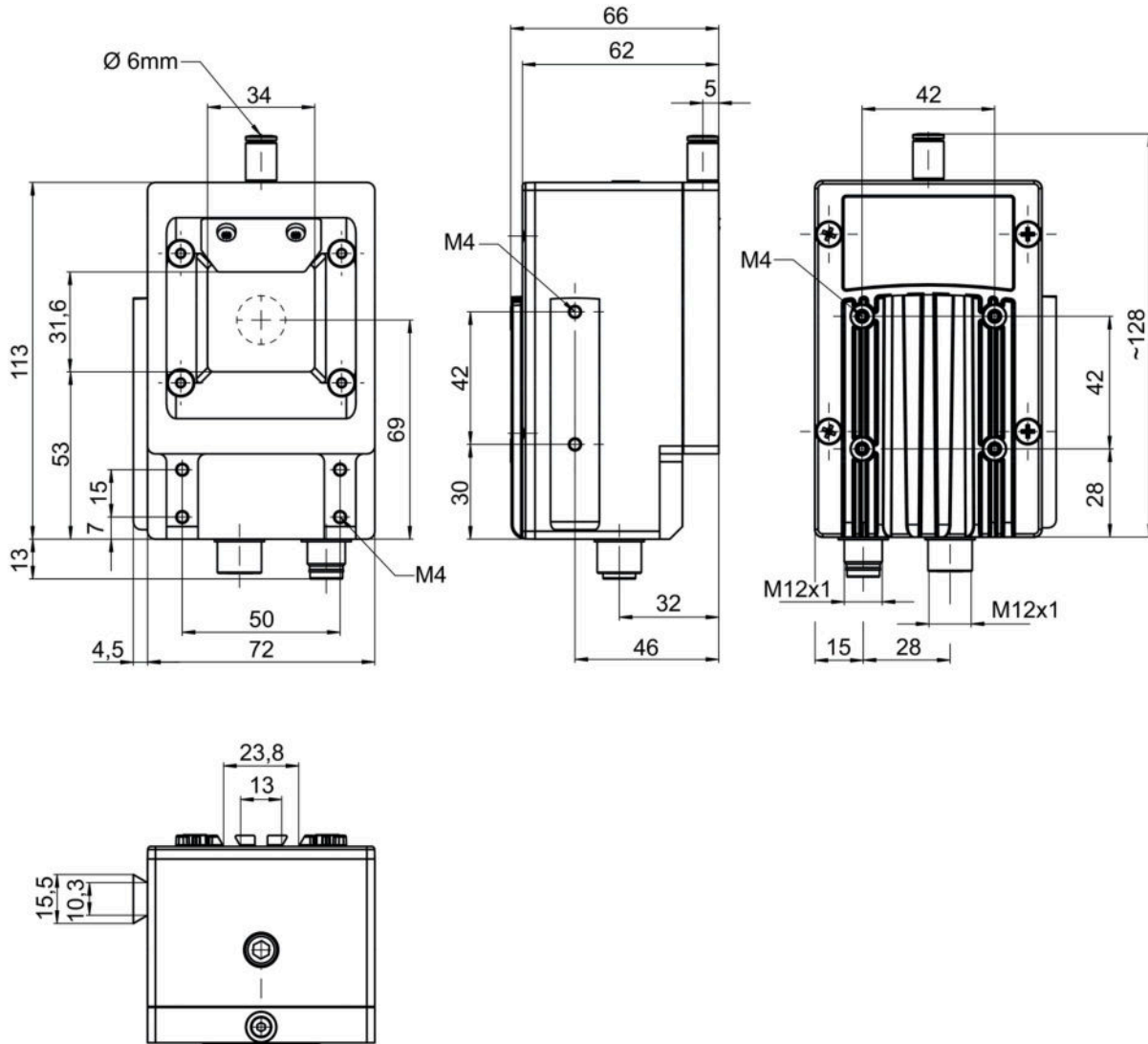
Degree of protection	IP 65 IP 67
----------------------	----------------

Classification

Customs tariff number	84733080
eCl@ss 8.0	27310201
eCl@ss 9.0	27310201
ETIM 6.0	EC001511

Dimensioned drawings

All dimensions in millimeters



Electrical connection

Connection 1	SERVICE
Function	Configuration interface Data interface Service interface
Type of connection	Connector
Thread size	M12
Type	Female
Material	Metal
No. of pins	8 -pin
Encoding	X-coded

Pin	Pin assignment
1	D1+
2	D1-
3	D2+
4	D2-
5	D4+

Part no.: 50141925 – LCAM 408i C7F-XX-MT – Camera


Pin	Pin assignment
6	D4-
7	D3-
8	D3+

Connection 2	PWR
Function	Voltage supply
Type of connection	Connector
Thread size	M12
Type	Male
Material	Metal
No. of pins	4 -pin
Encoding	A-coded

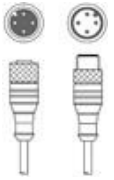
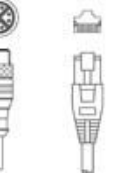
Pin	Pin assignment
1	V+
2	n.c.
3	GND
4	n.c.

Accessories

Connection technology - Connection cables


	Part no.	Designation	Article	Description
	50130657	KD U-M12-4A-P1-050	Connection cable	Connection 1: Connector, M12, Axial, Female, A-coded, 4 -pin Connection 2: Open end Shielded: No Cable length: 5,000 mm Sheathing material: PUR

Connection technology - Interconnection cables


	Part no.	Designation	Article	Description
	50130743	KDS U-M12-4A-M12-4A-P1-050	Interconnection cable	Connection 1: Connector, M12, Axial, Female, A-coded, 4 -pin Connection 2: Connector, M12, Axial, Male, A-coded, 4 -pin Shielded: No Cable length: 5,000 mm Sheathing material: PUR
	50133387	KSS ET-M12-8A-RJ45-A-P7-050	Interconnection cable	Suitable for interface: Ethernet Connection 1: Connector, M12, Axial, Male, X-coded, 8 -pin Connection 2: RJ45 Shielded: Yes Cable length: 5,000 mm Sheathing material: PUR

Part no.: 50141925 – LCAM 408i C7F-XX-MT – Camera

Mounting technology - Mounting brackets

	Part no.	Designation	Article	Description
	50121433	BT 300 W	Mounting device	Design of mounting device: Angle, L-shape Fastening, at system: Through-hole mounting Mounting bracket, at device: Screw type Type of mounting device: Adjustable Material: Metal

Mounting technology - Rod mounts

	Part no.	Designation	Article	Description
	50027375	BT 56	Mounting device	Functions: Static applications Design of mounting device: Mounting system Fastening, at system: For 16 mm rod, For 18 mm rod, For 20 mm rod Mounting bracket, at device: Clampable Material: Metal Tightening torque of the clamping jaws: 8 N·m

Note

A list with all available accessories can be found on the Leuze electronic website in the Download tab of the article detailed page.