

MST 1-PHASE CONTROL AND ISOLATION TRANSFORMER

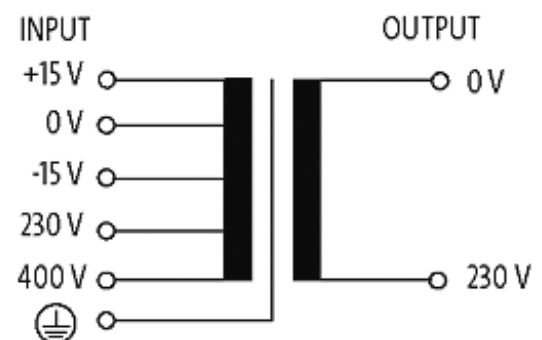
P: 320VA IN: 230/400VAC +/- 15VAC OUT: 230VAC

Single-phase - Control and Isolation Transformers
320 VA
Isolation class T 40/B

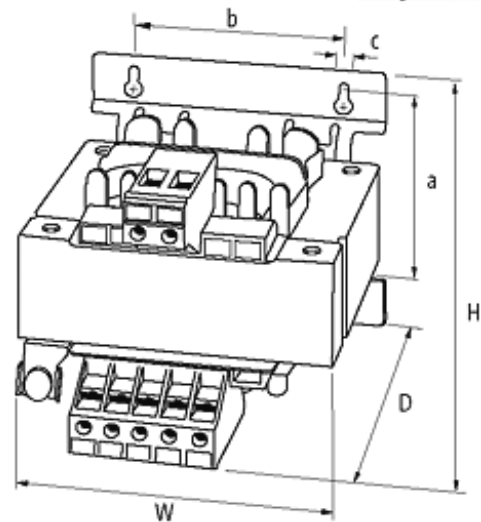
Other voltages on request.

[Link to Product](#)

Illustration



stay connected



Product may differ from Image

Input

| | |
|-----------------------|-------------------------------------|
| Input voltage | 230/400 ±15 V AC |
| Input current | 1.57 A (230 V AC); 0.9 A (400 V AC) |
| Inrush current | 22 A (230 V AC); 13 A (400 V AC) |
| Short-circuit current | 27 A (230 V AC); 16 A (400 V AC) |
| Frequency | 50...60 Hz |

General data

| | |
|--------------------------|---|
| Standards | (EN 61558-2-4), (EN 62041 category 0) |
| Test isolation voltage | 5.8 kV (prim./sec.) |
| Mounting method | Key-hole mounting |
| Dimensions H × W × D | 104.2×120×122 |
| Fixing centers a × b × c | 86.4×90×5.8 |
| Temperature range | -20...+40 °C (storage temperature -40...+80 °C) |

Output

| | |
|----------------|----------|
| Output voltage | 230 V AC |
|----------------|----------|

Commercial data

| | |
|------------------------|----------|
| country of origin | CZ |
| customs tariff number | 85043180 |
| minimum order quantity | 1 |