



DIGITAL MODULE; 4 INPUTS AND 2 RELAY OUTPUTS; INPUT VOLTAGE DC 24V; BISTABLE RELAY OUTPUTS; MAXIMUM 2 DIGITAL MODULES PER BASIC UNIT 2

Figure similar

product brand name	SIRIUS
Product designation	digital modules

#### General technical data:

<b>Insulation voltage</b>		
• Rated value	V	300
<b>Vibration resistance</b>		1-6 Hz / 15 mm; 6-500 Hz / 2 g
<b>Surge voltage resistance Rated value</b>	V	4 000
<b>Protection class IP</b>		IP20
<b>Equipment marking</b>		
• acc. to DIN EN 61346-2		K
• acc. to DIN EN 81346-2		K

#### Electromagnetic compatibility:

<b>EMC emitted interference</b>		
• acc. to IEC 60947-1		class A
<b>EMI immunity acc. to IEC 60947-1</b>		corresponds to degree of severity 3
<b>Conducted interference due to burst acc. to IEC 61000-4-4</b>		1 kV
<b>Conducted interference due to conductor-earth surge acc. to IEC 61000-4-5</b>		2 kV
<b>Conducted interference due to conductor-conductor surge acc. to IEC 61000-4-5</b>		1 kV
<b>Field-bound parasitic coupling acc. to IEC 61000-4-3</b>		10 V/m

#### Inputs/ Outputs:

<b>Number of inputs</b>		4
<b>Number of digital inputs</b>		4

Number of analog inputs		0
Number of outputs		2
Number of outputs as contact-affected switching element		2
Number of analog outputs		0
Number of semiconductor outputs		0

#### Installation/ mounting/ dimensions:

mounting position		any
Mounting type		screw and snap-on mounting
Height	mm	92
Width	mm	22.5
Depth	mm	124

#### Connections/ Terminals:

<b>Type of electrical connection</b>		
<ul style="list-style-type: none"> <li>for auxiliary and control current circuit</li> </ul>		screw-type terminals

#### Ambient conditions:

Installation altitude at height above sea level maximum	m	4 000
Ambient temperature		
<ul style="list-style-type: none"> <li>during operation</li> </ul>	°C	-25 ... +60
<ul style="list-style-type: none"> <li>during storage</li> </ul>	°C	-40 ... +80
<ul style="list-style-type: none"> <li>during transport</li> </ul>	°C	-40 ... +80
Relative humidity during operation	%	5 ... 95

#### Safety related data:

Protection against electrical shock		finger-safe
-------------------------------------	--	-------------

#### Control circuit/ Control:

Type of voltage of the control supply voltage		DC
Control supply voltage for DC		
<ul style="list-style-type: none"> <li>Rated value</li> </ul>	V	24 ... 24

#### Certificates/ approvals:

General Product Approval	EMC	For use in hazardous locations
--------------------------	-----	--------------------------------



CCC



CSA



UL



C-TICK

[Explosion Protection Certificate](#)

Test Certificates	Shipping Approval	other
-------------------	-------------------	-------

[Type Test Certificates/Test Report](#)

[Special Test Certificate](#)



ABS



DNV



GL

[Declaration of Conformity](#)

other
-------

[Confirmation](#)

[PROFISafe-Certification](#)



Profibus

[PROFINET-Certification](#)

## Further information

### Information- and Downloadcenter (Catalogs, Brochures,...)

<http://www.siemens.com/industrial-controls/catalogs>

### Industry Mall (Online ordering system)

<http://www.siemens.com/industrymall>

### Cax online generator

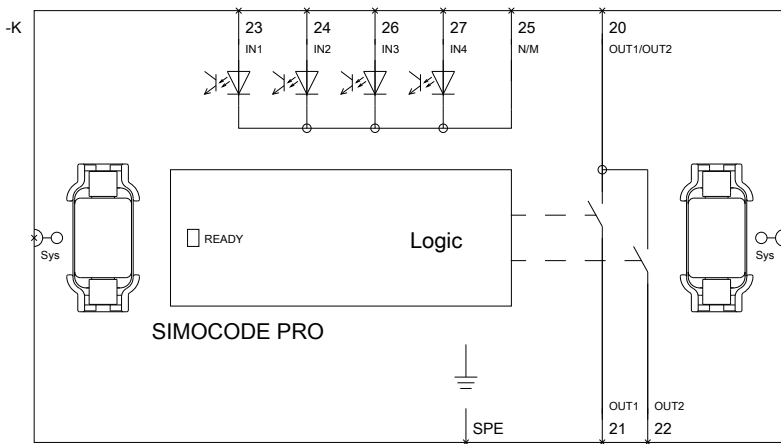
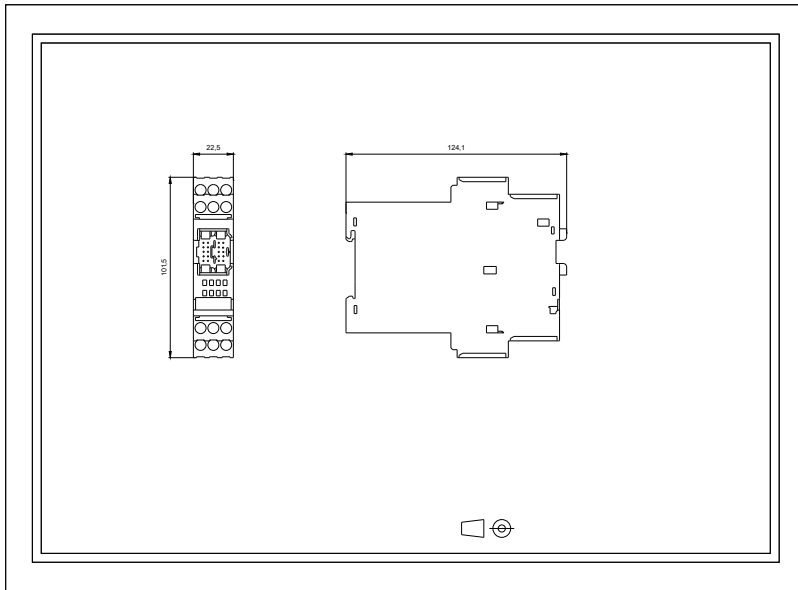
<http://support.automation.siemens.com/WW/CAXorder/default.aspx?lang=en&mfb=3UF73101AB000>

### Service&Support (Manuals, Certificates, Characteristics, FAQs,...)

<http://support.automation.siemens.com/WW/view/en/3UF73101AB000/all>

### Image database (product images, 2D dimension drawings, 3D models, device circuit diagrams, EPLAN macros, ...)

[http://www.automation.siemens.com/bilddb/cax\\_de.aspx?mfb=3UF73101AB000&lang=en](http://www.automation.siemens.com/bilddb/cax_de.aspx?mfb=3UF73101AB000&lang=en)



last modified:

09.03.2015