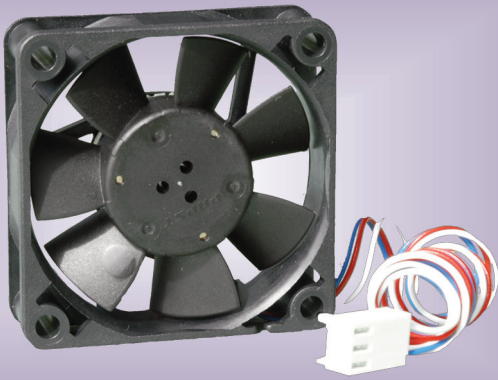


# 92mm Compact fan

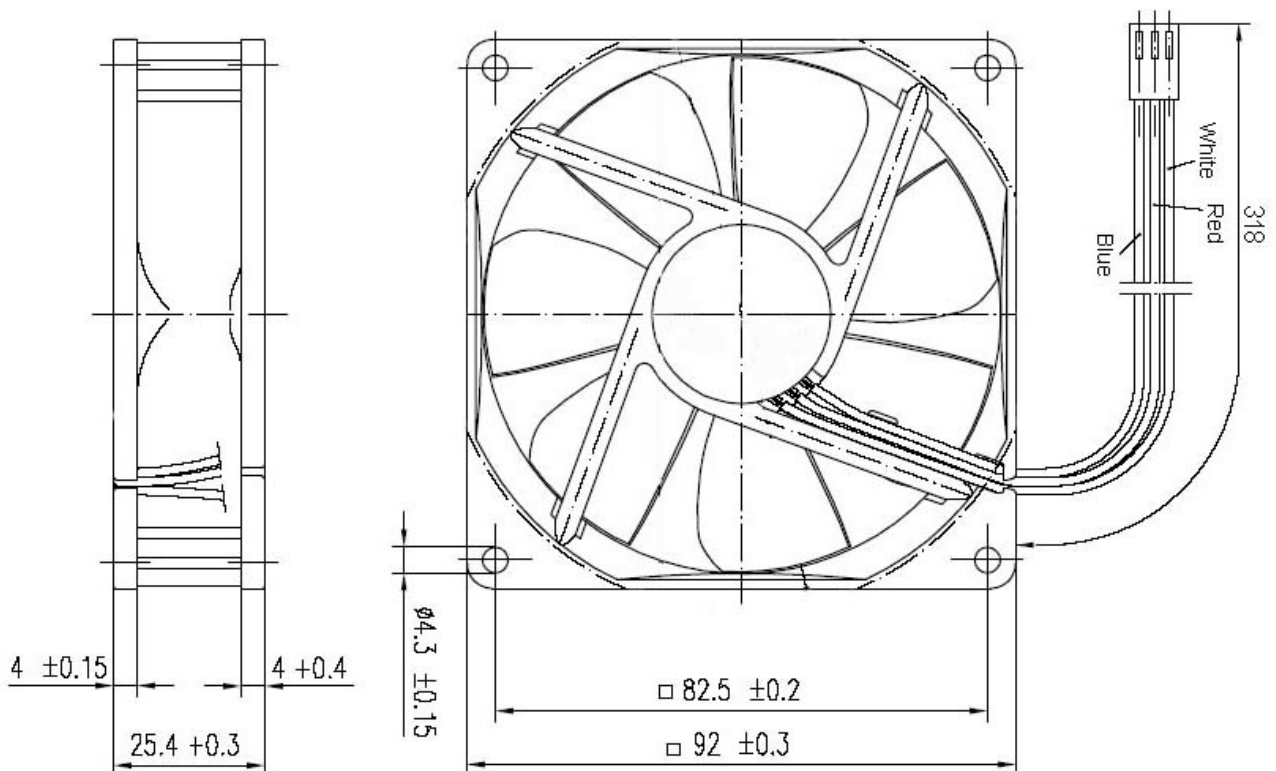


- With electronic protection against reverse polarity. The fan only operates when the polarity is correct. Impedance-protected against locked rotor and overloading.
- Fan of fibreglass reinforced plastic. PBT housing, PA impeller.
- Air exhaust over strut. Rotational direction CCW looking at rotor.
- Fitted with 3 pin molex connector (22-01-2035)
- Sensor signal for speed monitoring

Type	Air flow @ free air m <sup>3</sup> /h	Air flow @ free air CFM	Nominal voltage VDC	Voltage range VDC	Sound pressure level dB(A)	Sintec sleeve bearings	Power input Watt	Nominal speed min <sup>-1</sup>	Temperature range °C	L <sup>10</sup> Service life @ 40°C / @ t max Hours / Hours
<b>3412N/2GLE-454</b>	61	35.9	12	8 ... 15	23	Yes	1.1	1,950	-20 ... +80	80,000 / 30,000
<b>3412N/2GLLE-453</b>	35.4	20.85	12	10 ... 15	12	Yes	0.42	1,150	-20 ... +80	80,000 / 40,000

subject to alterations

## Dimensions



ebm-papst UK Ltd, Chelmsford Business Park, Chelmsford, Essex, CM2 5EZ  
 +44 (0)1245 68555  
 www.ebmpapst.co.uk

**ebmpapst**