

# Series 22 Actuators

SEE PAGE 75 FOR SWITCHES



## KEY FEATURES:

- Roller Lever
- Overtravel

## MECHANICAL CHARACTERISTICS:

Part Number	Oper. Force	Release Force	Pretravel	Overtravel	Movement Diff.	Operating Point
<b>72-1160</b> Roller Lever (1)	10 oz max	1.5 oz min	.150 max	.035 min	.070 ± .015	1.0 ± .031
<b>72-2080</b> over travel (2)	17 ± 5 oz	4 oz min	.060 max	.215 min	.030 ± .007	.828 ± .031

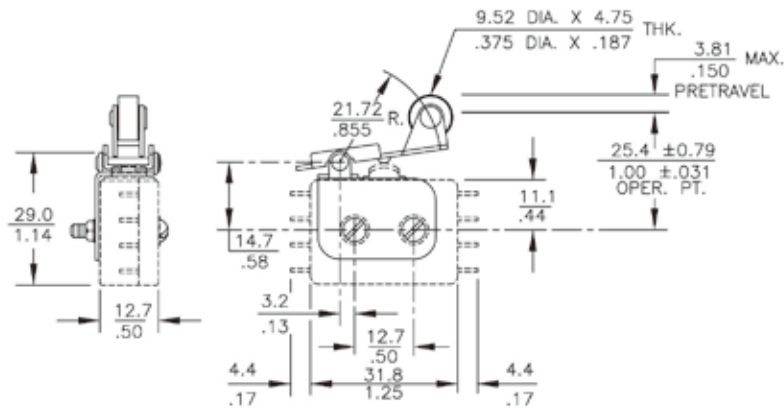
(1) When used with 22-104 basic switch or 22-204 basic switch. (2) When used with 22-304 basic switch

## STANDARDS / AGENCY / RATINGS:

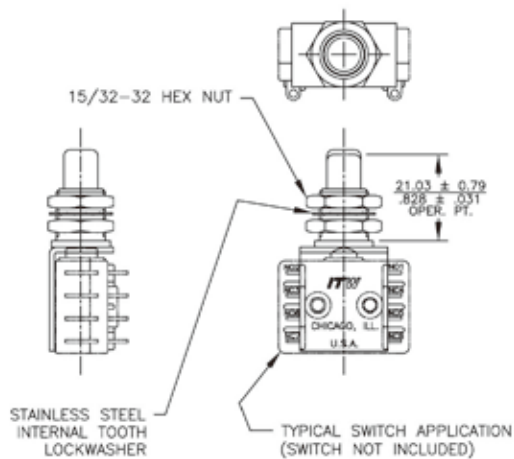


## PRODUCT DRAWINGS

### 72-1160



### 72-2080



## ELECTRICAL CHARACTERISTICS:

**Circuit:**  
DPDT-DB (Form ZZ)

## Electrical Ratings:

Circuitry	125/250 VAC	28 VDC
DPST-DB NO or NC (Form XX or YY)	10 amp (75-80% PF) 1/2 HP 125 VAC	10 amp Ind 15 amp Res
DPDT-DB (Form ZZ)	3/4 HP 250 VAC	7 amp Ind 10 amp Res