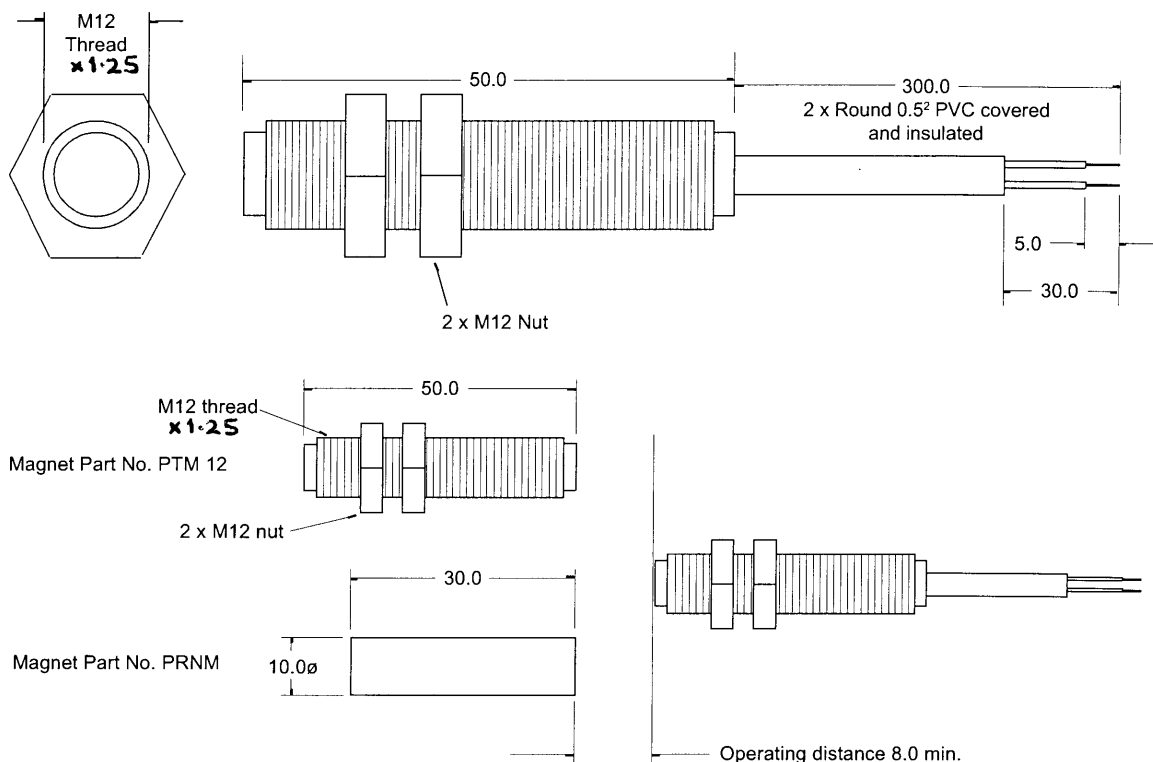


ASSEMtech Europe Ltd

PRODUCT DATA SHEET



Drawings not to scale
All dimensions in mm

SPECIFICATION

CONTACT FORM/STYLE		A/OPEN
SWITCHING VOLTAGE	Max. Vac	230
SWITCHING CURRENT	Max. A	3.0
SWITCHING CAPACITY (RESISTIVE)	Max. VA	60
CONTACT RESISTANCE	Max. mΩ	80
SWITCHING DISTANCE	Min. mm	8.0
OPERATING TEMPERATURE	Deg. °C	-20° + 85°
STORAGE TEMPERATURE	Deg. °C	-25° + 85°
CASE MATERIAL		Brass-nickel plated

CYLINDRICAL MAGNETIC PROXIMITY SWITCHES

PART NUMBER
PTA 230/30

Rev. No.	Revision Note	Date	Signature
B	Provisional	1-4-98	RG



BS5750/ISO 9000
Reg. No. FM 21080