

2-conductor through terminal block; with integrated end plate

Item No.: 285-635



2-conductor through terminal block; with integrated end plate

Marking

RoHS ✓
Compliant

Business data

Supplier	WAGO
Item no.	285-635
GTIN / EAN	4045454218713
Content	1
Order amount	15
Customer item number	

Notes

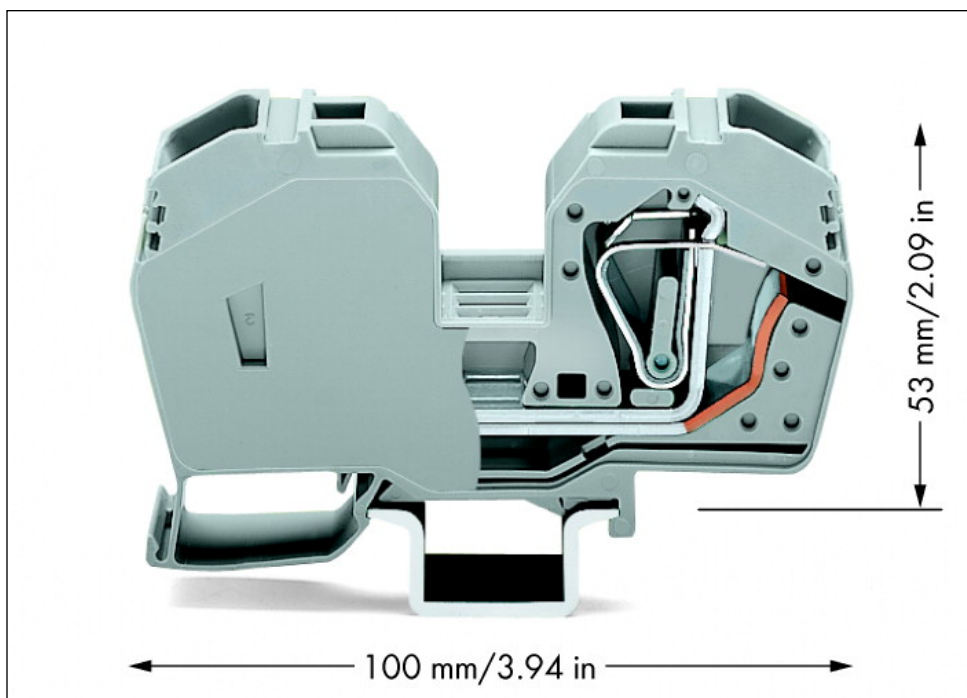
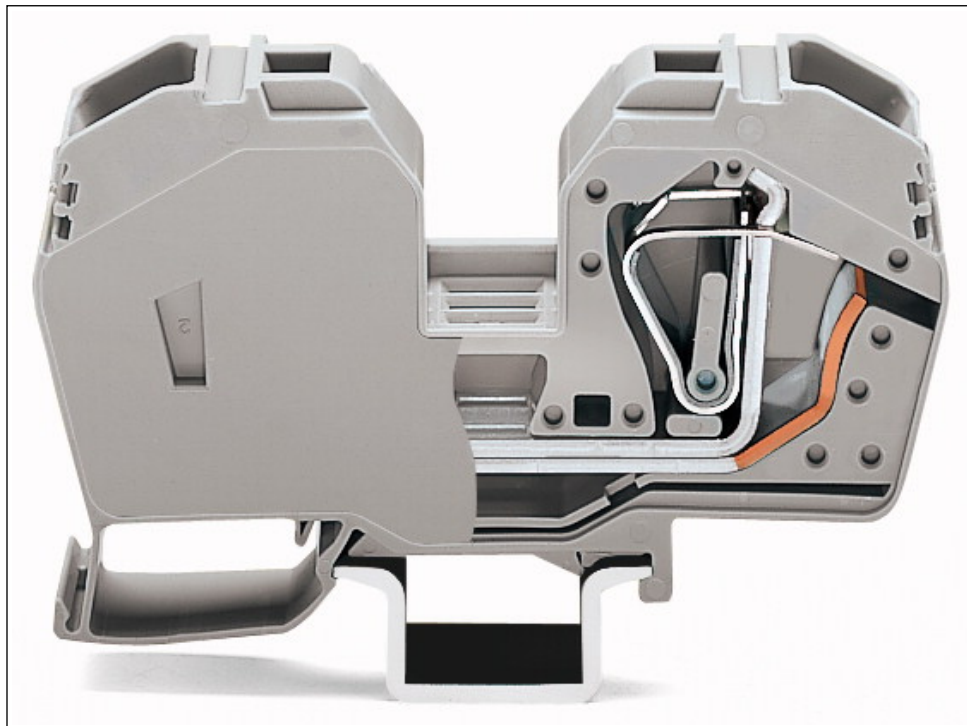
Technical data

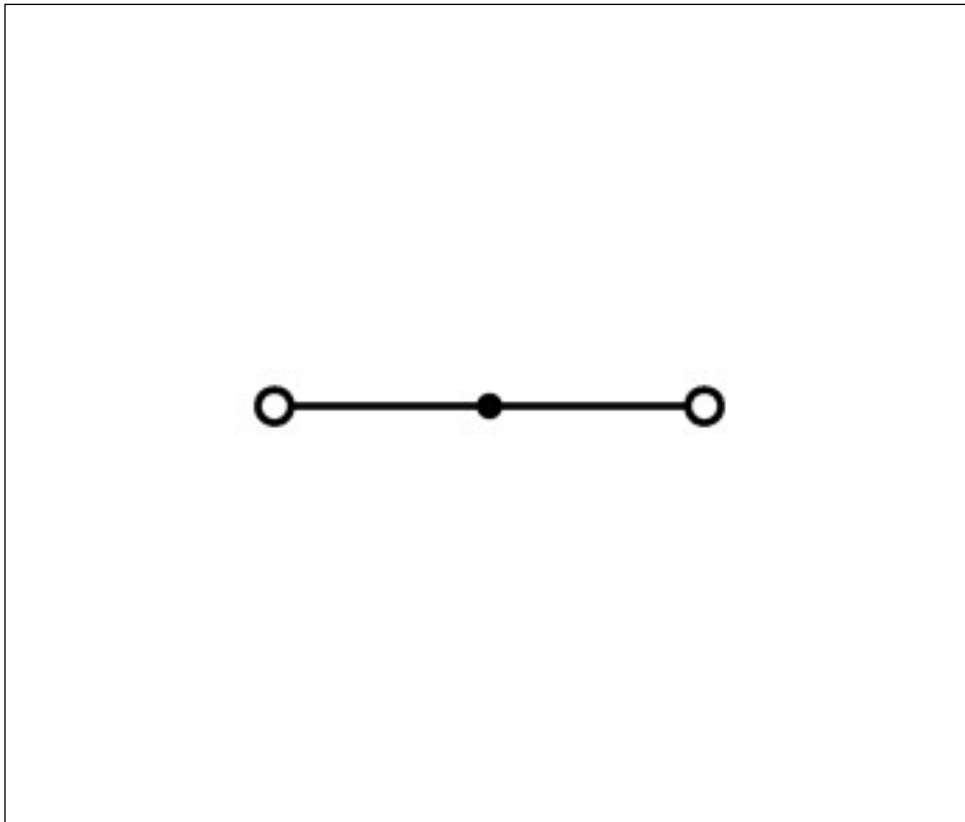
Miscellaneous

Total number of connection points	2
Total number of potentials	1
Color	gray
Ratings according to 1	IEC/EN 60947-7-1
Pollution degree (1)	3
Rated voltage EN (1) [V]	1000 [V]
Rated surge voltage (1) [kV]	8 [kV]
Nominal current [A]	125 [A]
Connection technology (1)	CAGE CLAMP®
Nominal cross section 1	35 mm ²

Technical data	
<i>Solid sizes 1</i>	<i>6 ... 35 mm² / 8 ... 2 AWG</i>
<i>Fine-stranded wires 1</i>	<i>6 ... 35 mm² / 8 ... 2 AWG</i>
<i>Strip length 1</i>	<i>23 mm / 0.91 in</i>
<i>Strip length 2</i>	<i>16 mm / 0.63 in</i>
<i>Type of wiring</i>	<i>Front-entry wiring</i>
<i>Design</i>	<i>horizontal</i>
<i>Marking level</i>	<i>Center/Side marking</i>
<i>Insulating material</i>	<i>Polyamide 66 (PA 66)</i>
<i>Fire load [MJ]</i>	<i>1.078 [MJ]</i>
<i>Weight [g]</i>	<i>88.2 [g]</i>
<i>Width</i>	<i>16 mm / 0.63 in</i>
<i>Height from upper-edge of DIN-rail [mm]</i>	<i>53 [mm]</i>
<i>Height from upper-edge of DIN-rail</i>	<i>53 mm / 2.087 in</i>
<i>Length</i>	<i>100 mm / 3.937 in</i>
<i>Type of mounting</i>	<i>DIN 35 rail</i>
<i>Safety information 1</i>	<i>only on DIN 35 x 15 rail</i>

Images & drawings





Address

WAGO Kontakttechnik GmbH & Co. KG

Hansastr. 27

32423 Minden

Telefon: 0571/887-0

Fax: 0571/887-169

<http://www.wago.com>

© WAGO Kontakttechnik GmbH & Co. KG

Technische Änderungen und Irrtümer vorbehalten.