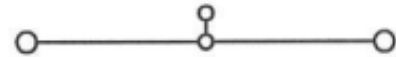


DIN Rail Mount Terminal Block multicomp^{PRO}

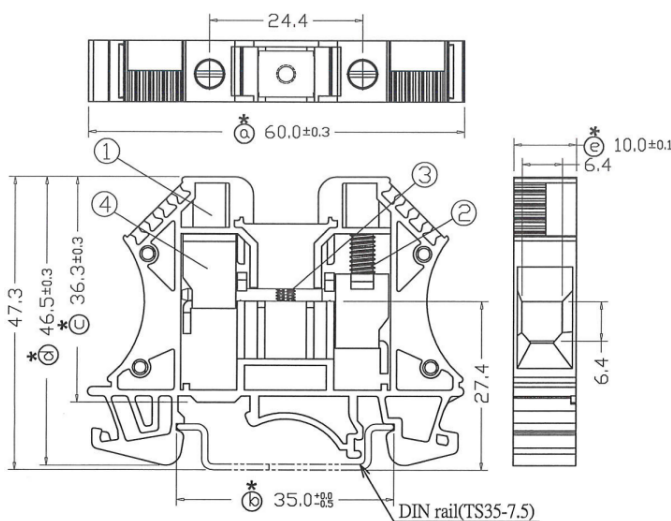
RoHS
Compliant



Specifications

	CUL	IEC
Rated voltage	: 600V / 800V	
Rated current	: 65A / 57A	
Solid Wire	: 16 to 6AWG / 1.5 to 10mm ²	
Standard Wire	: 16 to 6AWG / 1.5 to 10mm ²	
Impulse withstand voltage	: 8KV	
Torque (Terminal Screw)	: 2.18Nm (19in-lbs)	
Terminal Screw	: M4	
Wire strip length	: 12mm to 14mm	
Mounting DIN rail	: TS35-7.5/TS35-15/TS32	

Diagram



No.	Material		Plating/Finish
1.	Insulating body	PA66 (UL94 V-0)	--
2.	Terminal Screw	Steel M4	Zinc
3.	Terminal	Copper	Tin plated
4.	Cage clamp	Steel	Zinc

Part Number Table

Description	Part Number
Screw Din Rail Terminal Block, Orange	MP012086
Screw Din Rail Terminal Block, Blue	MP012087
Screw Din Rail Terminal Block, Grey	MP012088
Screw Din Rail Terminal Block, Orange	MP012089

Dimensions : Millimetres

Important Notice : This data sheet and its contents (the "Information") belong to the members of the AVNET group of companies (the "Group") or are licensed to it. No licence is granted for the use of it other than for information purposes in connection with the products to which it relates. No licence of any intellectual property rights is granted. The Information is subject to change without notice and replaces all data sheets previously supplied. The Information supplied is believed to be accurate but the Group assumes no responsibility for its accuracy or completeness, any error in or omission from it or for any use made of it. Users of this data sheet should check for themselves the Information and the suitability of the products for their purpose and not make any assumptions based on information included or omitted. Liability for loss or damage resulting from any reliance on the Information or use of it (including liability resulting from negligence or where the Group was aware of the possibility of such loss or damage arising) is excluded. This will not operate to limit or restrict the Group's liability for death or personal injury resulting from its negligence. Multicomp Pro is the registered trademark of Premier Farnell Limited 2019.

Newark.com/multicomp-pro
Farnell.com/multicomp-pro
sg.element14.com/b/multicomp-pro

multicomp^{PRO}