

Interchangeable jaw grip, sharpened

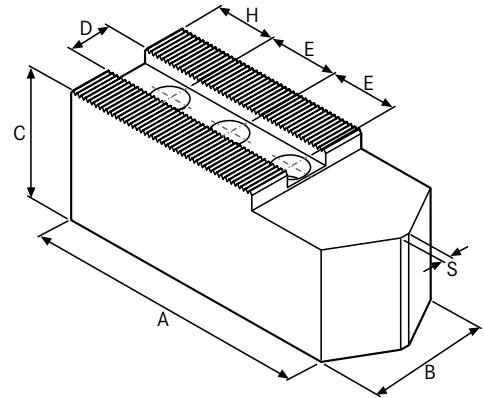
Made from steel

ATORN[®]

Delivery

3 pieces in a set

Art. No.	22430 405
Jaws length	102 mm
Jaws width	40 mm
Jaws height	42 mm
Jaw length x jaw width x jaw height	102 x 40 x 42 mm
Groove width	14 mm
Drilling clearance	22 mm
Suitable for thread	M10
Material of the jaws	Steel
Jaw design	Sharpened



EAN-Code

405029368538 1