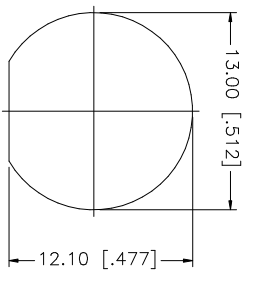
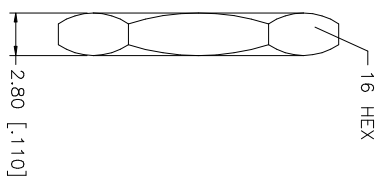
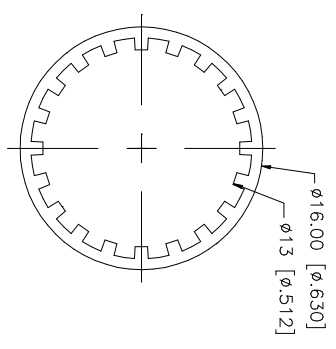
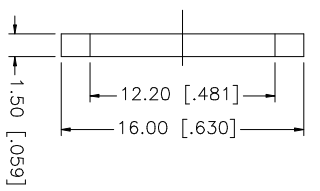
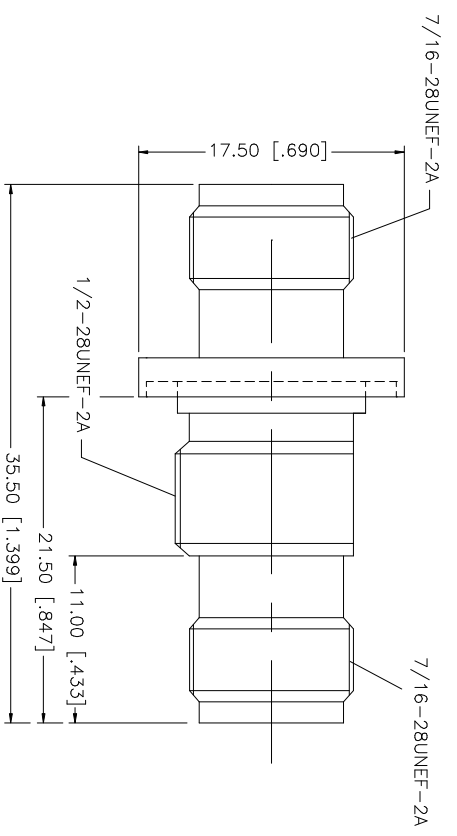


REV.	DATE	DESCRIPTION
NC	06/20/03	INITIAL RELEASE



RECOMMENDED MOUNTING HOLE

QTY	DESCRIPTION	MATERIAL	FINISH	QTY	DO NOT SCALE DRAWING	APPROVALS	DATE	PART DESCRIPTION		
1	HEX NUT	BRASS	NICKEL	1	UNLESS OTHERWISE SPECIFIED DIMENSIONS ARE IN MILLIMETERS. DIMENSIONS IN [] ARE IN INCHES AND FOR CUSTOMER REFERENCE ONLY.	DRAWN G.R.S.	06/20/03	TNC FEMALE TO FEMALE BULKHEAD ADAPTOR		
1	LOOK WASHER	BRASS	NICKEL	1	UNLESS OTHERWISE SPECIFIED TOLERANCES FOR MILLIMETERS ARE: 0.5 - 8mm ± 0.20mm 8 - 30mm ± 0.40mm 30 - 120mm ± 0.50mm					
1	GASKET	RUBBER	RED	1	UNLESS OTHERWISE SPECIFIED TOLERANCES FOR INCHES ARE: .020 - .315 = ± 0.007" .315 - 1.180 = ± 0.015" 1.180 - 4.724 = ± 0.020"	CHECKED				
1	CONTACT PIN	PHOS. BRONZE	GOLD	1		ISSUED				
1	INSULATOR	DELFIN	NATURAL	1		SHEET 1 OF 1				
1	BODY	BRASS	NICKEL	1						
	DESCRIPTION	MATERIAL	FINISH	QTY	DO NOT SCALE DRAWING	CAD FILE C:/122/122342.DWG	DWG. NO. 122342.DWG	REV. NC	SIZE A	SCALE NA

Amphenol **Connex**

TNC FEMALE TO FEMALE BULKHEAD ADAPTOR

122342