

U.I. Lapp GmbH	<b>DATASHEET</b>	
	<b>EPIC® H-A 3 AGSV</b>	<b>10424000</b> <b>14.11.2013</b>

Innovative metal and plastic housing design  
Housing in plastic or metal version. For power supply in the smallest possible space



Industrial machinery and plant engineering



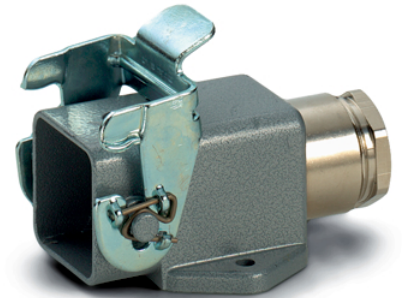
Mechanical resistance



Robust



Waterproof



#### Info

Compact, robust metal- and plastic housings size H-A 3

#### Application range

Machine and equipment manufacturing  
Control engineering  
Electronic laboratory

#### Product features

Surface-mount base  
1 lever  
1 cable entry  
Versions with / without cable gland

#### Remark

Photographs are not to scale and do not represent detailed images of the respective products.

Product Management	Document: EPIC® H-A 3 AGSV	1 / 3
--------------------	----------------------------	-------

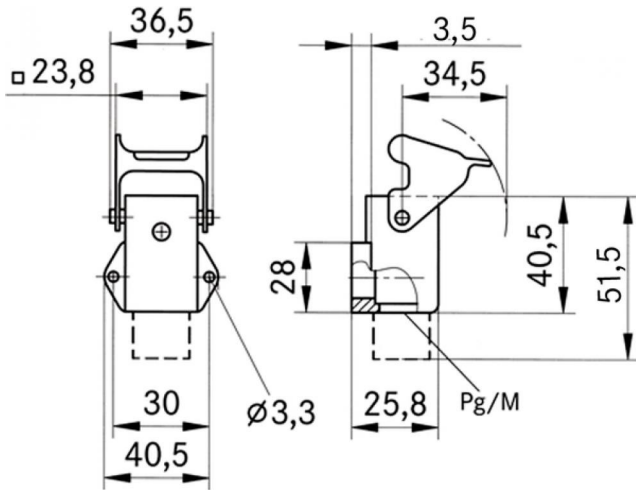
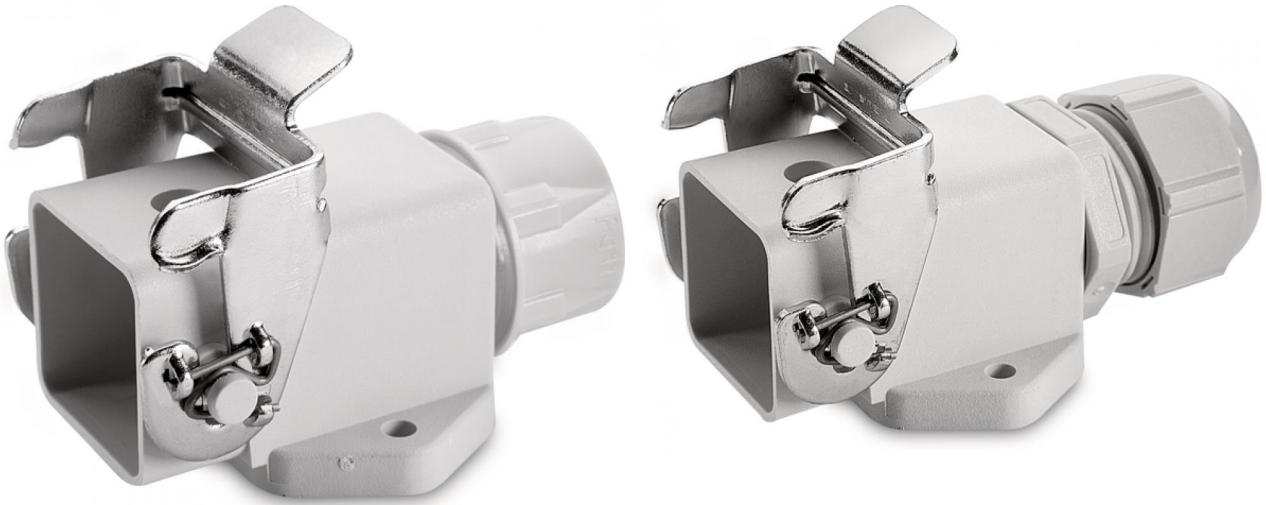
U.I. Lapp GmbH	<b>DATASHEET</b>	
	<b>EPIC® H-A 3 AGSV</b>	<b>10424000</b> <b>14.11.2013</b>

### Technical Data

Article:	H-A 3 Agsv
PG:	11
Material:	Thermoplastic
Colour:	grey
Dimensions incl. cable gland:	56
Pieces / PU:	10
Material:	Housing: powder-coated zinc die-casting, grey Lever: zinc-plated steel Sealing: NBR Housing: grey thermoplastic, black Lever: zinc-plated steel Sealing: NBR
Protection rating:	IP 65 (latched)
Temperature range:	-40 °C to +100 °C, short-term up to +125 °C
VDE-tested:	Certified production control: VDE-REG. no.: B437 UL-tested: UL File Number: E75770

Product Management	Document: EPIC® H-A 3 AGSV	2 / 3
--------------------	----------------------------	-------

U.I. Lapp GmbH	<h1>DATASHEET</h1>	
	<b>EPIC® H-A 3 AGSV</b>	10424000 14.11.2013



Product Management	Document: EPIC® H-A 3 AGSV	3 / 3
--------------------	----------------------------	-------