

53127-1 ✓ ACTIVE

SOLISTRAND

TE Internal #: 53127-1

Ring Terminals & Spade Terminals, Spring Spade, 12 – 10AWG

Wire Size, 3 – 6mm<sup>2</sup> Wire Size, 5180 – 13100CMA Wire Size, #8 / M4

[View on TE.com >](#)



Terminals & Splices > Ring Terminals & Spade Terminals



Terminal & Splice Type: **Spring Spade**

Wire Size: **5180 – 13100 CMA**

Ring & Spade Stud Size: **#8, M4**

### Features

#### Product Type Features

Shape Description	SPADE-030
Ring & Spade Stud Size	#8, M4
Ring & Spade Barrel Type	Closed Barrel
Sealable	No
Insulated	No
Ring & Spade Wire/Cable Type	Regular Wire
Support Style	Non - Insulation Support

#### Configuration Features

Terminal Angle	Straight
----------------	----------

#### Body Features

Ring & Spade Plating Material	Tin
-------------------------------	-----

#### Contact Features

Terminal & Splice Type	Spring Spade
Ring & Spade Terminal Orientation	Offset

#### Mechanical Attachment

Wire Insulation Support	Without
-------------------------	---------

#### Dimensions

Wire Size	5180 – 13100 CMA
Stud Diameter	4.17 mm[.164 in]
Tongue Thickness	.99 mm[.039 in]



Ring & Spade Overall Length	18.52 mm[.729 in]
-----------------------------	-------------------

Barrel Inside Diameter	3.28 mm[.129 in]
------------------------	------------------

### Usage Conditions

Insulation Requirement	Uninsulated
------------------------	-------------

Operating Temperature Range	170 °C[338 °F]
-----------------------------	----------------

### Operation/Application

Heavy Duty	No
------------	----

### Industry Standards

Government Qualified	No
----------------------	----

### Packaging Features

Packaging Quantity	500
--------------------	-----

Ring & Spade Packaging Method	Loose Piece
-------------------------------	-------------

### Product Compliance

[For compliance documentation, visit the product page on TE.com>](#)

EU RoHS Directive 2011/65/EU	Compliant
------------------------------	-----------

EU ELV Directive 2000/53/EC	Compliant
-----------------------------	-----------

China RoHS 2 Directive MIIT Order No 32, 2016	No Restricted Materials Above Threshold
---	---

EU REACH Regulation (EC) No. 1907/2006	Current ECHA Candidate List: JAN 2021 (211) Candidate List Declared Against: JAN 2021 (211) Does not contain REACH SVHC
--	---

Halogen Content	Low Halogen - Br, Cl, F, I < 900 ppm per homogenous material. Also BFR/CFR/PVC Free
-----------------	---

Solder Process Capability	Not applicable for solder process capability
---------------------------	--

#### Product Compliance Disclaimer

This information is provided based on reasonable inquiry of our suppliers and represents our current actual knowledge based on the information they provided. This information is subject to change. The part numbers that TE has identified as EU RoHS compliant have a maximum concentration of 0.1% by weight in homogenous materials for lead, hexavalent chromium, mercury, PBB, PBDE, DBP, BBP, DEHP, DIBP, and 0.01% for cadmium, or qualify for an exemption to these limits as defined in the Annexes of Directive 2011/65/EU (RoHS2). Finished electrical and electronic equipment products will be CE marked as required by Directive 2011/65/EU. Components may not be CE marked. Additionally, the part numbers that TE has identified as EU ELV compliant have a maximum concentration of 0.1% by weight in homogenous materials for lead, hexavalent chromium, and mercury, and 0.01% for cadmium, or qualify for an exemption to these limits as defined in the Annexes of Directive 2000/53/EC (ELV). Regarding the REACH Regulation, the information TE provides on SVHC in articles for this part number is based on the latest European Chemicals Agency (ECHA) 'Guidance on requirements for substances in articles' posted at this URL: <https://echa.europa.eu/guidance-documents/guidance-on-reach>

## Compatible Parts



TE Part # 49935  
DAHT SOLIS 22-10 ASSY



TE Part # 539662-2  
MATR SOLISTR 0,3-6,



TE Part # 47814  
DIES SOLIS 12-10 DIE SET

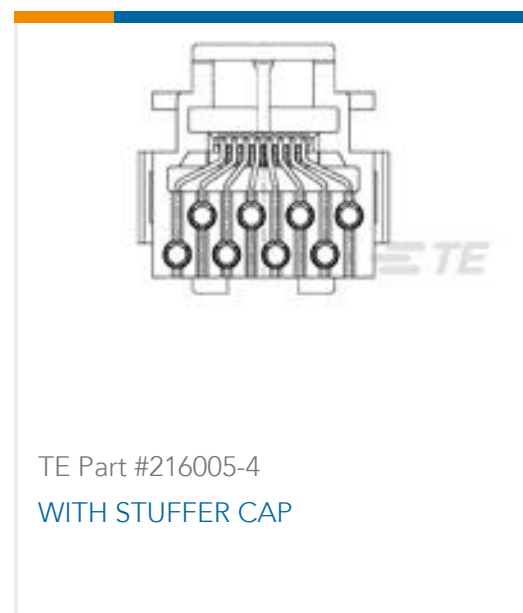


TE Part # 169400  
CERTI-LOK

## Customers Also Bought



TE Part #1658542-1  
D-Sub Conn Contacts: Socket,  
Phosphor Bronze, Signal, Size 20



TE Part #216005-4  
WITH STUFFER CAP



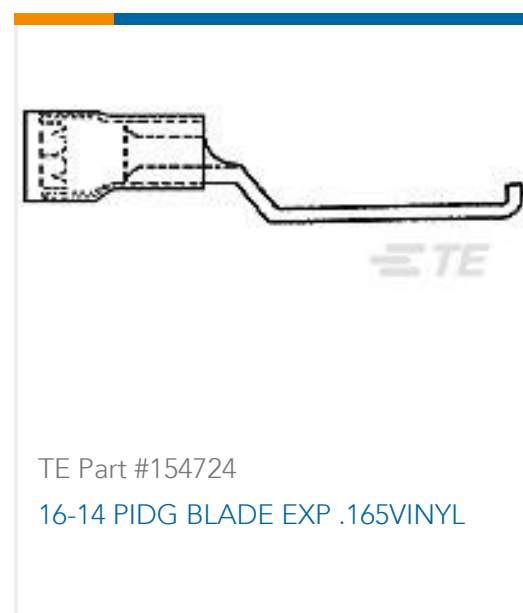
TE Part #1423159-8  
7012NJ=RLY,STD,ON,2P,48VDC,12



TE Part #2-1618112-9  
WUV-1-120P=WILMAR  
UNDERVOLTAGE



TE Part #YDTS26F25-24SNC001  
D38999: Straight Plug, 25-24 Insert



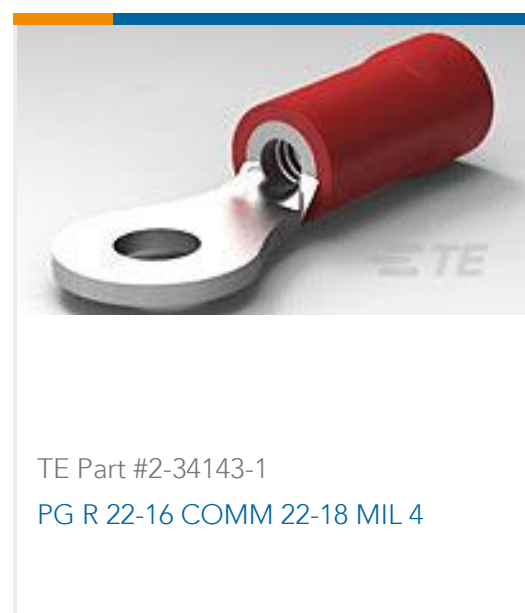
TE Part #154724  
16-14 PIDG BLADE EXP .165VINYL



TE Part #2-2109118-2  
BULB ASSY FOR T20/T2 BK EXT



TE Part #278414-000  
RT-3-NO.2-0-COIL



TE Part #2-34143-1  
PG R 22-16 COMM 22-18 MIL 4



TE Part #267129-000  
22759/34-18-7

## Documents

### Product Drawings

TERMINAL,SOLIS SPR SPD 12-10 8

English

### CAD Files

3D PDF



English

**Customer View Model**

[ENG\\_CVM\\_53127-1\\_C.3d\\_igs.zip](#)

English

**Customer View Model**

[ENG\\_CVM\\_53127-1\\_C.3d\\_stp.zip](#)

English

**Customer View Model**

[ENG\\_CVM\\_53127-1\\_C.2d\\_dxf.zip](#)

English

By downloading the CAD file I accept and agree to the [Terms and Conditions](#) of use.

---

### Product Environmental Compliance

[TE Material Declaration](#)

English

---

### Agency Approvals

[UL Report](#)

English