

KISSLING LIGHT WEIGHT RELAY

Series 26 / 300A - from TE Connectivity (TE)

KISSLING 26 series dual coil relays are developed using our competence and expertise gathered over decades of manufacturing to meet demanding operating requirements.

This dual coil system relay features extremely high shock and vibration resistance predominantly from careful design and an optimized magnetic circuit. The sealing technology used in these relays meet both the IP67 and IP69K (Steam pressure cleaning) protection standard. This relay series is well suited for various applications in severe commercial, military and aviation applications.

Other important advantages are low heat generation in the contact area based on low contact voltage drop, a compact design, low holding current, silver alloy contact material and the use of mechanical and high thermal stability insulating compounds. Both the terminals and housing is corrosion resistant.

These relays are available with a wide variety of configuration options including contact configurations (NO, NC, NO/NC), coil voltages (12 V, 24/28 V) and various bracket styles to meet your installation conditions. Also available are optional suppression devices to eliminate electromagnetic interference at the coil and optional auxiliary contacts.

Features

- Sealed housing conforms to IP6K9K
- Dual-Coil monostable high performance relay with optional auxiliary contact
- Up to 30G shock & 10G vibration resistant
- Military grade performance
- Wide variety of configuration options for individual needs
- Meets the requirements of MIL-R-6106

Applications

- Truck
- Bus
- Ground support vehicles
- Construction and agricultural vehicles
- Power Distribution
- Aviation industry
- Military
- Helicopter
- Motorsports (Racing cars)

SERIES 26

300A - light weight

Specification

Technical Data

Temperature range	-55°C to +74°C
Max. Altitude rating	50.000 ft
Protection	IEC 60529 & DIN 40050-9, IP67 (0,2 bar; 1min) & IP6K9K
Shock	30G - 11msec VG 95210, MIL-STD-202, Test method 213, Half-sine, 11 msec / 30 G
Vibration	10G VG 95210, MIL-STD-202, Test method 213, Test condition C / 10 G
Acceleration	15G
Thread sizes	M3.5 = 1.1-1.2Nm M4 = 2.0-2.2Nm M8 = 12-13Nm M10 = 15-20Nm
Wire section	min. 95mm ² / 0.132 sq.inch / AWG 0000
Mounting position	optional

Electrical Characteristics

Rated contact load (12 & 24 / 28VDC)

Min. Insulation Resistance	100MΩ	Resistive load	50.000 cycles - 300A
After llve or environmental	50MΩ	Mechanical Life	100.000 cycles - 75A
Dielectric withstanding voltage	1050VAC / 1min at 50Hz		
Max. Contact drop, initial	150mV		
Contact drop after life test	175mV		
Continuous current	300A		
Overload	2400A - 1sec / 900A - 10sec / 600A - 40sec		
Rupture current	3000A		
Auxiliary contacts	Continuous current 2A / Make and Brake 6A		

Coil data

12VDC

24 / 28 VDC

Voltage range	10-15VDC	18-32VDC
Nominal voltage	12VDC	24/28VDC
Pick up voltage max.	10VDC	18VDC
Drop out voltage	≤ 4VDC	≤ 6VDC
Pull in coil resistance	1,4Ω ± 20%	3,6Ω ± 20%
Pull in current max.	12A - 20msec	6/8A - 20msec
Coil resistance	40Ω ± 10%	145Ω ± 10%
Coil current max.	0,35A	0,20 / 0,25A

Operating times

NO Contact

Operate	max. 25msec
Bounce	max. 5msec
Release with suppression diode	max. 80msec
Release with suppression device	max. 15msec
Release without suppression	max. 15msec

SERIES 26

300A - light weight

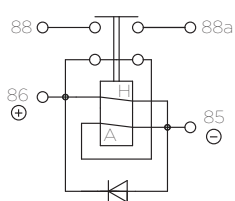
Available Types

	Type Ordering key	Contact	Mains		90° Version 1)	Side mounting	Side mount. with inserts	Suppres- sion diode	Suppres- sion device	Auxiliary contact	Weight kg / pound
		NO	Studs	Screws							
12V	26.55.21	x	x				x	x			0.39 / 0.86
	26.55.22	x	x				x				0.39 / 0.86
	26.55.75	x	x				x	x		x	0.40 / 0.88
	26.55.76	x	x				x			x	0.40 / 0.88
	26.57.21	x		x		x			x		0.37 / 0.82
	26.57.22*	x		x		x					0.37 / 0.82
24V / 28V	26.55.01	x	x				x	x			0.39 / 0.86
	26.55.02	x	x				x				0.39 / 0.86
	26.55.010	x	x			x		x			0.39 / 0.86
	26.55.020*	x	x			x					0.39 / 0.86
	26.55.71	x	x				x	x		x	0.40 / 0.88
	26.55.72	x	x				x			x	0.40 / 0.88
	26.55.710	x	x			x		x		x	0.40 / 0.88
	26.55.720	x	x			x				x	0.40 / 0.88
	26.57.01	x		x		x			x		0.37 / 0.82
	26.57.02*	x		x		x					0.37 / 0.82
	26.57.03	x		x	x				x		0.37 / 0.82
	26.57.04	x		x	x						0.37 / 0.82
	26.57.71	x		x			x		x	x	0.39 / 0.86
	26.57.72	x		x			x			x	0.39 / 0.86
	26.57.73	x		x	x		x		x	x	0.39 / 0.86
	26.57.74	x		x	x		x			x	0.39 / 0.86
	26.57.710	x		x			x		x	x	0.39 / 0.86
	26.57.720	x		x			x			x	0.39 / 0.86

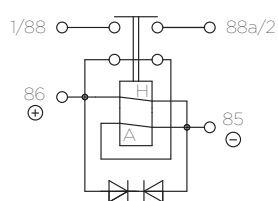
Other types and customer specified types upon request / 1) Main terminals in 90° position to the bracket / * Standard version

Circuits

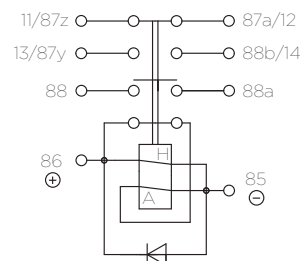
NO-Contact



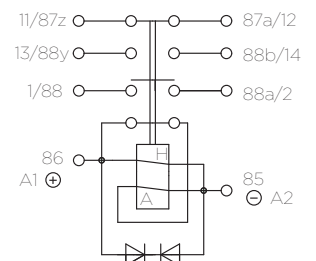
Suppression diode



Suppression device



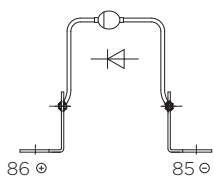
Suppression diode
Auxiliary contact



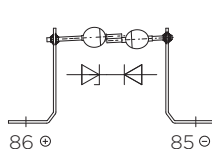
Suppression device
Auxiliary contact

Accessories

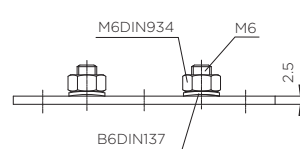
Suppression diode
for relays 26.55...
26.08.50



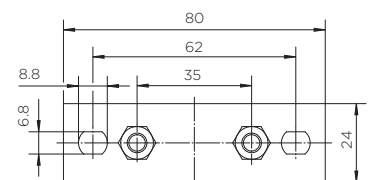
Suppression device
for relays 26.57...
26.57.50



Adapter
26.57.51



Mounting adaption
from 35 mm (1.38 inch)
to 62 mm (2.44 inch)

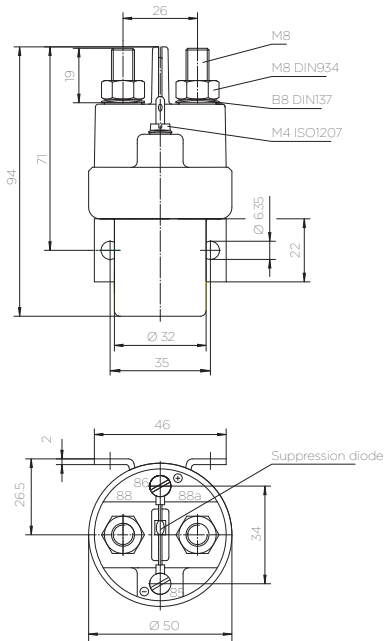


SERIES 26

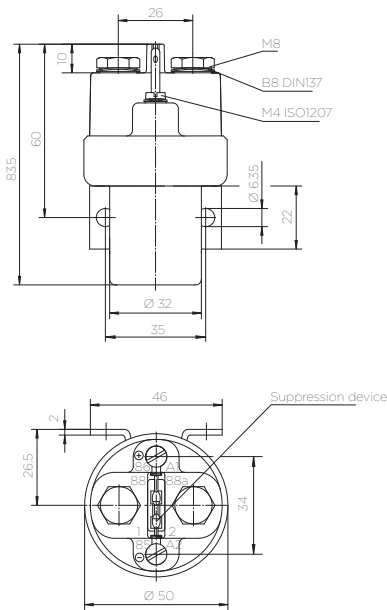
300A - light weight

Technical drawings

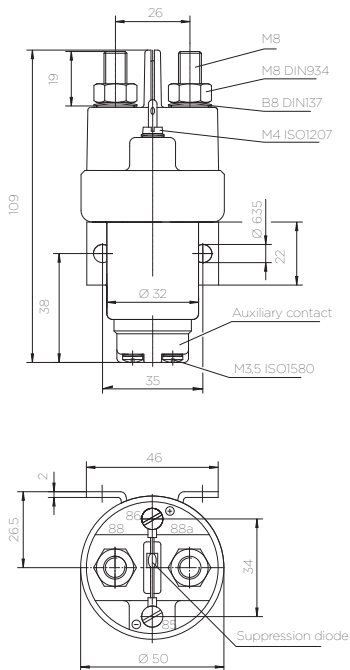
Studs



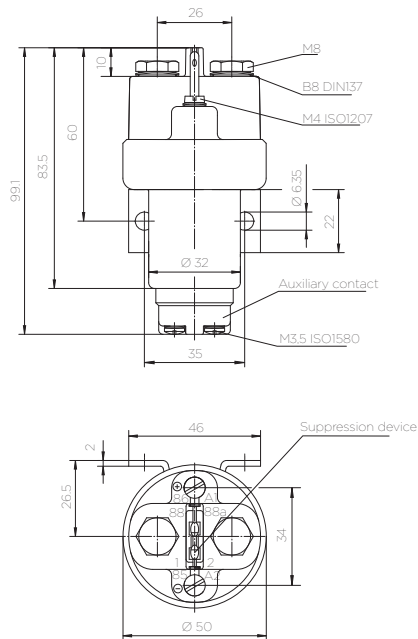
Screws



Studs- Auxiliary contact



Screws - Auxiliary contact



te.com

TE Connectivity, TE, TE connectivity (logo), KISSLING (logo) and KISSLING (word) are trademarks owned or licensed by the TE Connectivity family of companies. All other logos, products and/or company names referred to herein might be trademarks of their respective owners.

The information given herein, including drawings, illustrations and schematics which are intended for illustration purposes only, is believed to be reliable. However, TE Connectivity makes no warranties as to its accuracy or completeness and disclaims any liability in connection with its use. TE Connectivity's obligations shall only be as set forth in TE Connectivity's Standard Terms and Conditions of Sale for this product and in no case will TE Connectivity be liable for any incidental, indirect or consequential damages arising out of the sale, resale, use or misuse of the product. Users of TE Connectivity products should make their own evaluation to determine the suitability of each such product for the specific application.

© 2020 TE Connectivity | All Rights Reserved.

K1166694 | Version 12/2020