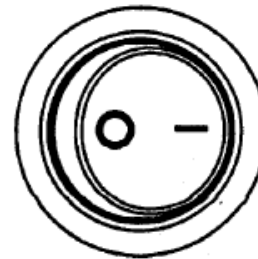
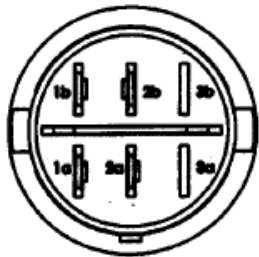
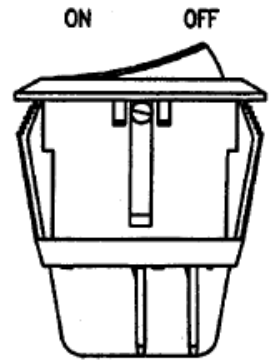
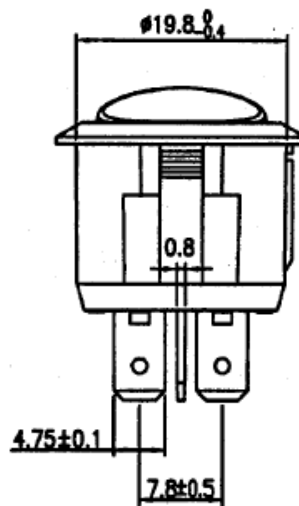
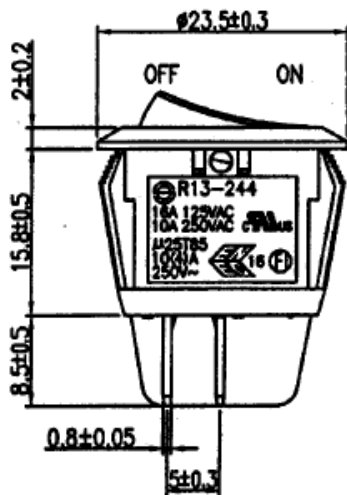
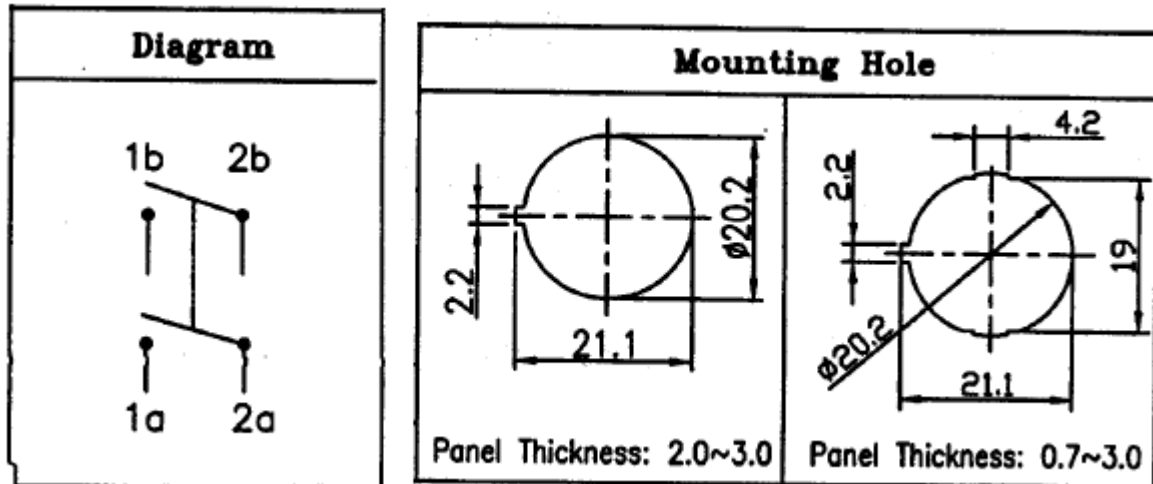


## Data Sheet

Rocker switch, black, 250 V/AC, 10A, 2x off/on, latching



## Data Sheet



### Technical data

Rating: 10(4)A, 250 V/AC

Contact resistance: 50m ohm max.

Insulation resistance: 500 V/DC, 100M ohm min.

Dielectric strength: 1500 V/AC, 1 minute

Operation temperature: -20°C to 85°C

Operation force: 800g,  $\pm 200$ g

Switch function: 4P DPST, ON/OFF

Material (Frame): Nylon#66, black

Material (Actuator): Nylon#66, black

Material (Terminal): Copper alloy, silver plated