

D-Sub Plastic Cover, DEC, with top cable entry

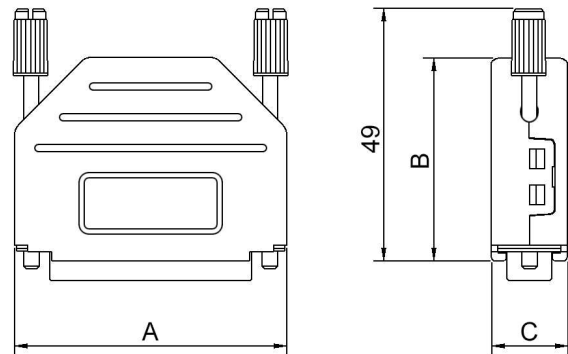
TECHNICAL SPECIFICATIONS

Material: Polyamid, UL-recognised  
 Operating Temperature: -55°C to +110°C  
 Cable Entry: Top  
 Thumbscrews: UNC 4-40 (Standard)  
 M2,5 or M3 on request  
 Cable O.D: 9-way Up to 8mm  
 15-way Up to 11,7mm  
 25-way Up to 11,7mm  
 37-way Up to 11,7mm  
 50-way Up to 11,7mm  
 Colour: DEC



Features:

- Available in sizes 9-15-25-37-50-way
- Suitable for any common Sub-D connector
- Quick-snap locking system
- Company logo can be moulded on request



Accessory:

- Small Rubber grommet (size 9 only)  
6844-0102-01
- Large Rubber grommet (size 15-25-37-50)  
6844-0103-01



Size	Dim A	Dim B	Dim C
9-way	31,5	34,0	15,0
15-way	40,0	34,0	15,0
25-way	53,5	34,0	15,0
37-way	70,0	40,0	15,0
50-way	67,5	40,0	15,0

Ordering information: *Standard - DEC*

Size:	P/N - Kitted:	Product Code:
9-way	6353-0102-01	DPPK09-DEC-K
15-way	6353-0102-02	DPPK15-DEC-K
25-way	6353-0102-03	DPPK25-DEC-K
37-way	6353-0102-04	DPPK37-DEC-K
50-way	6353-0102-05	DPPK50-DEC-K

Size:	P/N - BULK:	Product Code:
9-way	6354-0102-01	DPPK09-DEC
15-way	6354-0102-02	DPPK15-DEC
25-way	6354-0102-03	DPPK25-DEC
37-way	6354-0102-04	DPPK37-DEC
50-way	6354-0102-05	DPPK50-DEC

