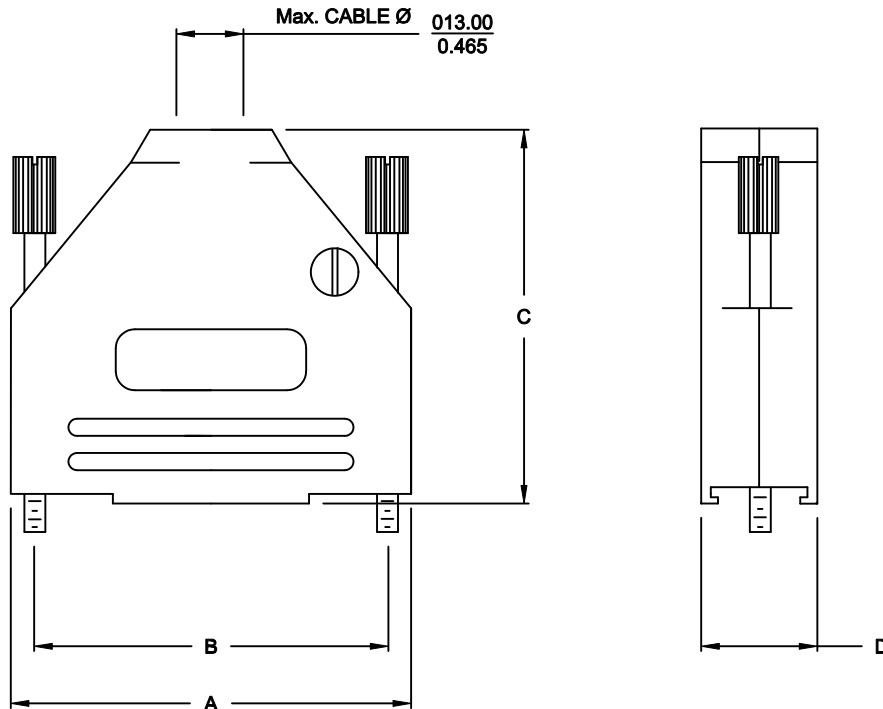


BACKSHELL KIT INCLUDES:

- (2) BACKSHELL HALVES
- (2) 4-40 THUMBSCREWS
- (2) HOUSING SCREWS
- (1) SET OF COMPRESSION INSERTS - VARIOUS SIZES
DIAMETERS 4mm (.157"), 5mm (.197"), 7mm (.276"), 9mm (.354")
- (1) COMPRESSION SPRING

DIMENSIONS (mm/in)				
SIZE	A $\pm_{0.10}^{.25}$	B $\pm_{.005}^{.13}$	C $\pm_{0.10}^{.25}$	D $\pm_{0.10}^{.25}$
9	31.20	24.99	39.90	15.00
	1.228	0.984	1.571	0.591
15	39.50	33.32	41.50	15.00
	1.555	1.312	1.634	0.591
25	53.40	47.04	48.60	15.00
	2.102	1.852	1.913	0.591
37	69.70	63.50	53.60	15.00
	2.744	2.500	2.110	0.591



ORDERING INFORMATION:

SIZE	P/N - KITTED	PRODUCT CODE:
9-WAY	6560-0815-01	MHDTZK-9-BK-K
15-WAY	6560-0815-02	MHDTZK-15-BK-K
25-WAY	6560-0815-03	MHDTZK-25-BK-K
37-WAY	6560-0815-04	MHDTZK-37-BK-K

SIZE	P/N - BULK	PRODUCT CODE:
9-WAY	6561-0815-01	MHDTZK-9-BK
15-WAY	6561-0815-02	MHDTZK-15-BK
25-WAY	6561-0815-03	MHDTZK-25-BK
37-WAY	6561-0815-04	MHDTZK-37-BK

BACKSHELL MATERIAL: DIE-CAST ZINC ALLOY
PLATING: BLACK OXIDE
JACKSCREWS: STEEL - BLACK OXIDE
M3 HOODSCREWS: STEEL - BLACK OXIDE
COMPRESSION INSERT:
COMPRESSION SPRING: ABS UL RECOGNIZED
OPERATING TEMP: -40°C TO +120°C

THESE DRAWINGS AND SPECIFICATIONS ARE THE PROPERTY OF MH CONNECTORS LTD. AND SHALL NOT BE REPRODUCED, COPIED OR USED AS THE BASIS FOR THE MANUFACTURE OR SALE OF APPARATUS WITHOUT WRITTEN PERMISSION.

DRAWN		DATE	
P. JENKINS		03-14-12	
APPROVED		DATE	
D. CROFT		03-14-12	
SCALE	SHEET	OF	REV:
NTS	1	1	A
DRAWING No			
MHDTZK-BK SERIES			

RoHS COMPLIANT



MH CONNECTORS LTD.