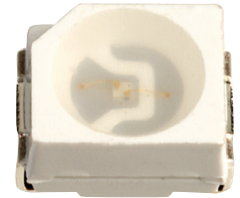


Features:

- High luminous PLCC2 top SMD LEDs
- 3.5 x 2.8 x 1.9mm standard directivity
- Superior weather-resistance
- UV resistant silicone
- Water clear type



Applications

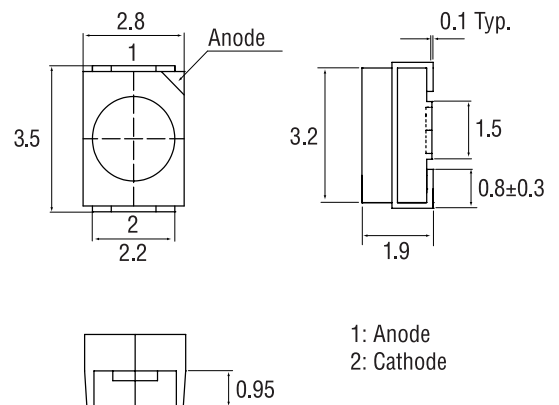
- Automotive dashboard lighting
- Money detector
- Back lighting
- Other lighting

Absolute maximum rating (Ta=25°C)

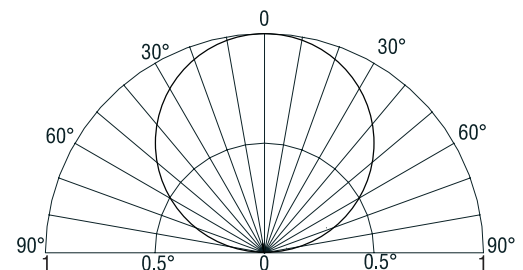
Item	Symbol	Value	Unit
DC forward current	I_F	30	mA
Pulse forward current*	I_{FP}	100	mA
Reverse voltage	V_R	5	V
Power dissipation	P_D	114	mW
Operating temperature	T_{opr}	-30 to +85	°C
Storage temperature	T_{stg}	-40 to +100	°C
Lead soldering temperature	T_{sol}	260°C/5sec	-

*Pulse width max. 10ms. Duty ratio max. 1/10

Outline dimensions:



Directivity:



Electrical - Optical characteristics (Ta=25°C)

Item	Symbol	Condition	Min.	Typ.	Max.	Unit
DC forward voltage ³	V_F	$I_F = 20\text{mA}$	3.0	3.4	3.8	V
DC reverse current	I_R	$V_R = 5\text{V}$	-	-	10	μA
Peak wavelength ¹	λ_p	$I_F = 20\text{mA}$	390	395	400	nm
Radiant flux ²	Φ_e	$I_F = 20\text{mA}$	2.0	5.0	6.0	mW
50% Power angle	$2\theta_{1/2}$	$I_F = 20\text{mA}$	-	120	-	deg

1 Tolerance of measurements of peak wavelength is $\pm 1\text{nm}$
 2 Tolerance of measurements of radiant flux is $\pm 15\%$
 3 Tolerance of measurements of forward voltage is $\pm 0.1\text{V}$