



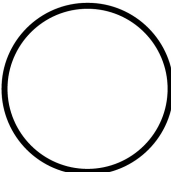
**Illuminated pushbutton actuators, Flat Front, flush, momentary, white, blank**



Powering Business Worldwide™



**Part no. M30C-FDL-W**  
**Catalog No. 182925**  
**Eaton Catalog No. M30C-FDL-W**

## Delivery program

|   |   |  |  |
|---|---|--|--|
| Product range   |   |  | RMQ-Titan  |
| Basic function  |   |  | Illuminated pushbutton actuators   |
| Single unit/Complete unit   |   |  | Single unit  |
| Design  |   |  | Flat<br>momentary  |
| <b>Button plate</b>   |   |  |  |
| button plate  |   |  | White  |
| Button plate  |   |  |  |
|   |   |  | Blank  |
| Degree of Protection  |   |  | IP66, IP67, IP69   |
| Front ring  |   |  | Metal bezel  |
| Connection to SmartWire-DT  |   |  | Yes, with SWD-RMQ connections  |
| <b>Actuator travel and actuation force as per DIN EN 60947-5-1, K.5.4.1</b> |   |  |  |
| Minimum force for positive opening  | N |  | 0  |
| Front dimensions  |   |  | Ø 36 mm  |

## Technical data

### General

|                             |              |               |  |
|-----------------------------|--------------|---------------|--|
| Standards                   |              |               | IEC/EN 60947<br>VDE 0660   |
| Lifespan, mechanical        | Operations   | $\times 10^6$ | > 5  |
| Operating frequency         | Operations/h |               |  3600 |
| Actuating force             |              | n             |  5    |
| Climatic proofing           |              |               | Damp heat, constant, to IEC 60068-2-78<br>Damp heat, cyclic, to IEC 60068-2-30           |
| Degree of Protection        |              |               | IP66, IP67, IP69   |
| Ambient temperature         |              |               |  |
| Open                        |              | °C            | -25 - +70  |
| Mounting position           |              |               | As required  |
| Mechanical shock resistance |              | g             | 15<br>Shock duration 11 ms<br>Sinusoidal<br>according to IEC 60068-2-27                  |

## Design verification as per IEC/EN 61439

|  |  |    |     |
|--|--|----|-----|
| Technical data for design verification |  |    |     |
| Operating ambient temperature max.     |  | °C | -25 |
| Operating ambient temperature max.     |  | °C | 70  |

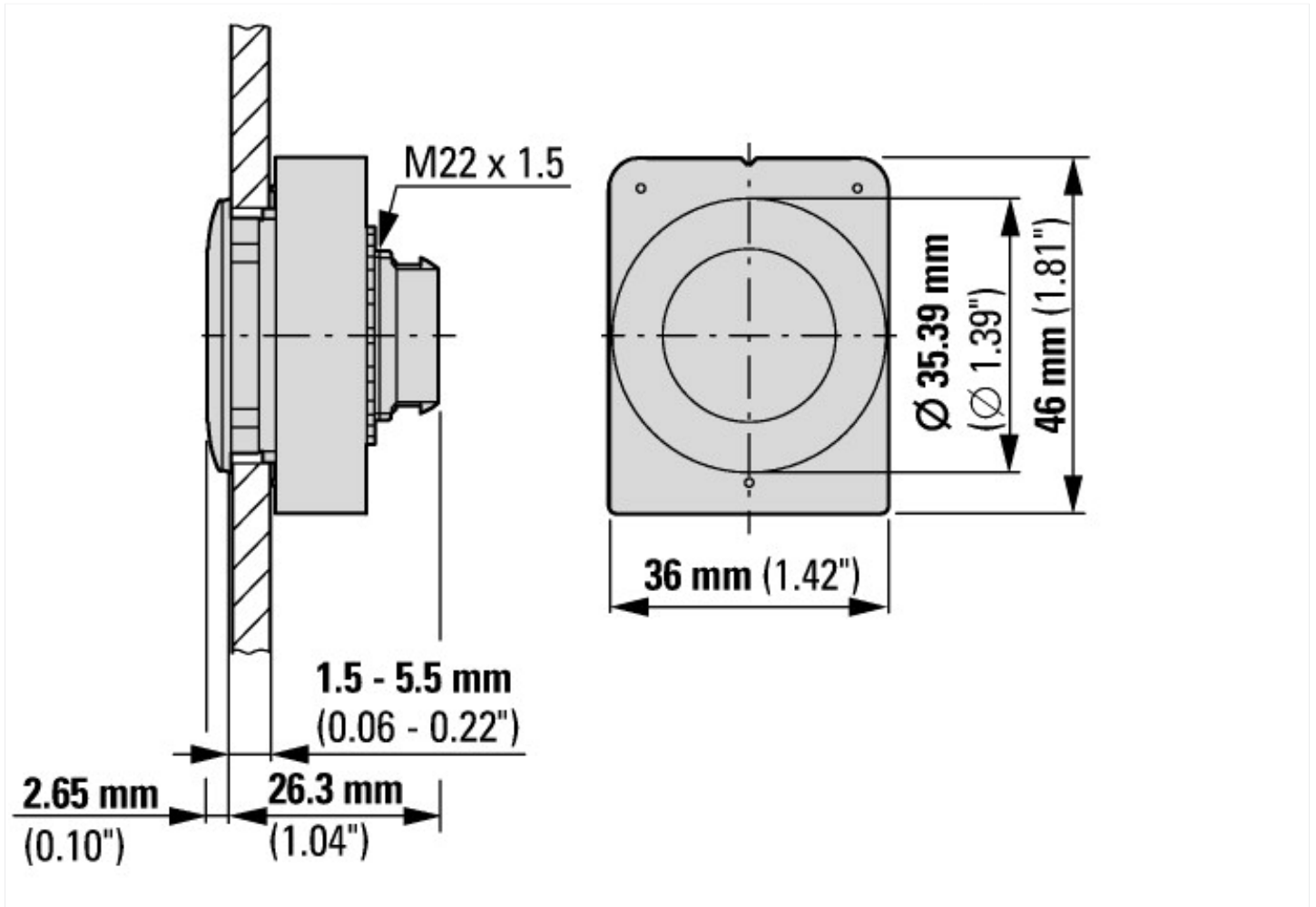
## Technical data ETIM 6.0

Low-voltage industrial components (EG000017) / Front element for push button (EC000221)

Electric engineering, automation, process control engineering / Low-voltage switch technology / Command and alarm device / Front element for push-button actuators (ecl@ss8.1-27-37-12-10 [AKF028011])

|                                       |    |        |
|---------------------------------------|----|--------|
| Colour button                         |    | White  |
| Number of command positions           |    | 1      |
| Construction type lens                |    | Round  |
| Hole diameter                         | mm | 30     |
| Width opening                         | mm | 0      |
| Height meter opening                  | mm | 0      |
| Degree of protection (IP), front side |    | IP67   |
| Type of button                        |    | Flat   |
| Suitable for illumination             |    | Yes    |
| With protection cover                 |    | No     |
| Labelled                              |    | No     |
| Switching function latching           |    | No     |
| Spring-return                         |    | Yes    |
| With front ring                       |    | Yes    |
| Material front ring                   |    | Metal  |
| Colour front ring                     |    | Chrome |

## Dimensions

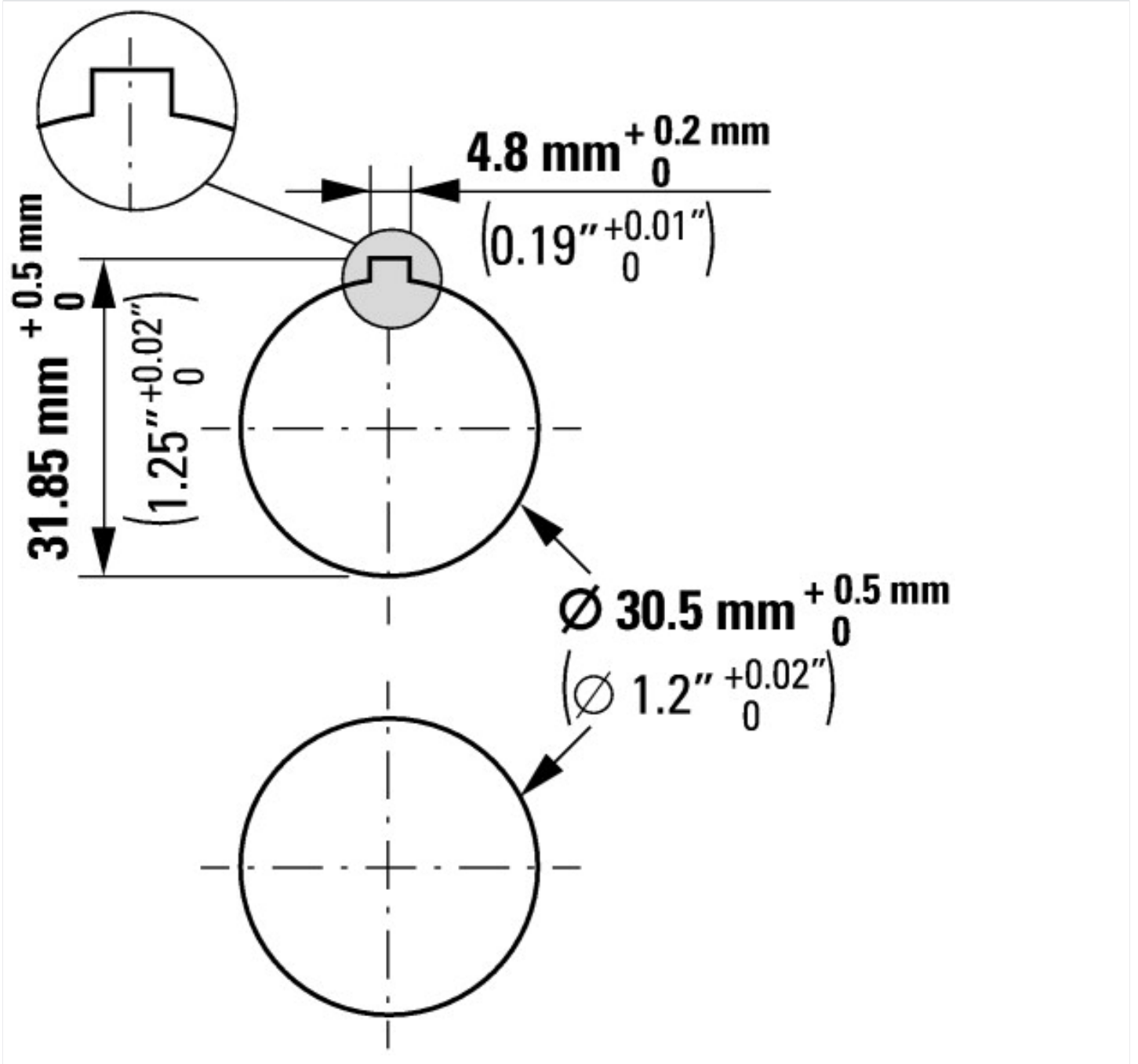




with 2 M22-K... standard contact elements



with M22-FK... flat rear contact elements



### Additional product information (links)

IL047019ZU Flat Front

IL047019ZU Flat Front

[ftp://ftp.moeller.net/DOCUMENTATION/AWA\\_INSTRUCTIONS/IL047019ZU2017\\_02.pdf](ftp://ftp.moeller.net/DOCUMENTATION/AWA_INSTRUCTIONS/IL047019ZU2017_02.pdf)