

## MVP12, 8XM12, 5POLE, PLUG. CAP SCT.

Plug. cap, field-wireable via screw terminals

8-way, 5-pole

Screw plug-in terminals

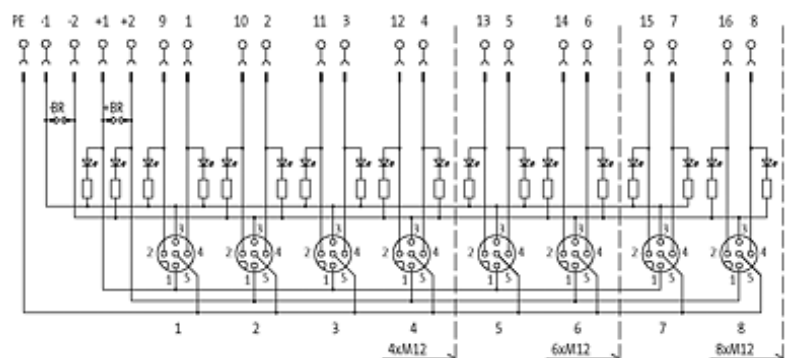
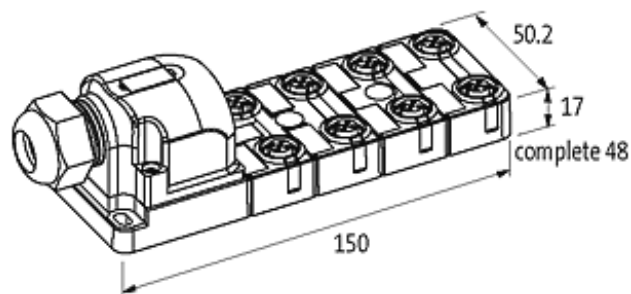
Potential separation as option

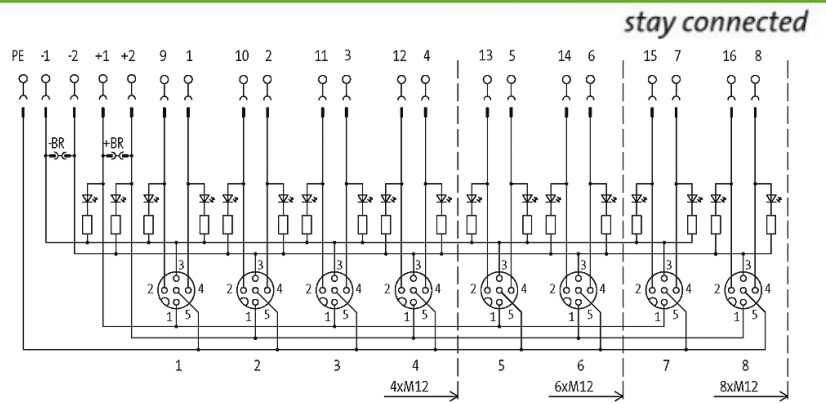
with LED for digital PNP-signals 24 V DC

Plastic housings with good resistance against chemicals and oils. The resistance to aggressive media should be individually tested for your application. Further details on request.

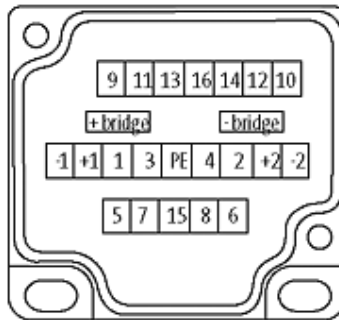
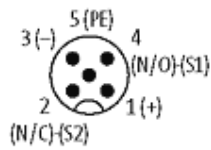
### [Link to Product](#)

#### Illustration

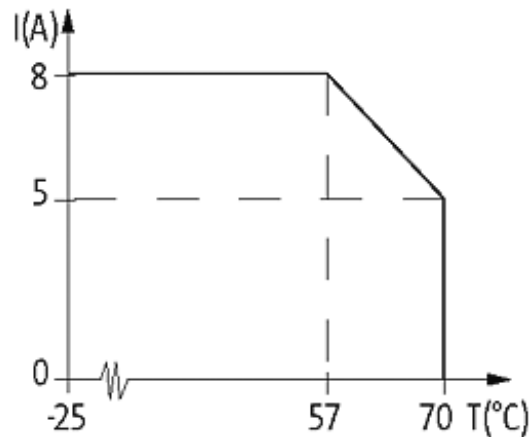




M12 Females 5-pole



for 2 signals per port



Product may differ from Image

Approvals



Technical Data

Operating voltage 24 V DC

Signal per port	2
Operating current per contact	max. 4 A
Total current	max. 2 × 8 A
Connection	Screw plug-in terminals: max. 1.5 mm <sup>2</sup> (AWG 16)
Housing	Plastic, flame retardant
Protection	IP67 inserted and tightened (EN 60529)
Locking of ports	Screw thread M12 × 1 mm

#### General data

Temperature range	-20...+80 °C
Dimensions H × W × D	150×50.2×17 mm

#### Contact layout

Contact 1	(+)
Contact 2	(NC)/(S2)
Contact 3	(-)
Contact 4	(NO)/(S1)
Contact 5	(Earth)
LED display	LED (green): Power / LED (yellow): (S1/S2)

#### Commercial data

country of origin	DE
customs tariff number	85369010
minimum order quantity	1