

## M12 MALE 90° SHIELDED WIREABLE SCREW TERM.

5-pol. max.0,75mm<sup>2</sup> 6-8mm

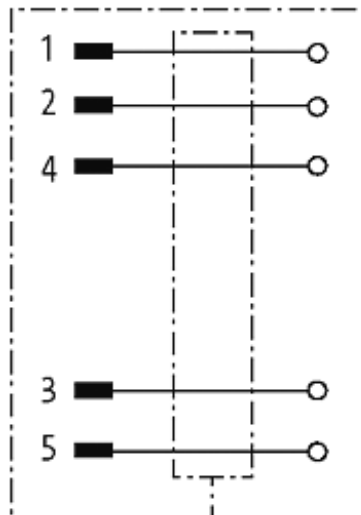
M12

Male 90°

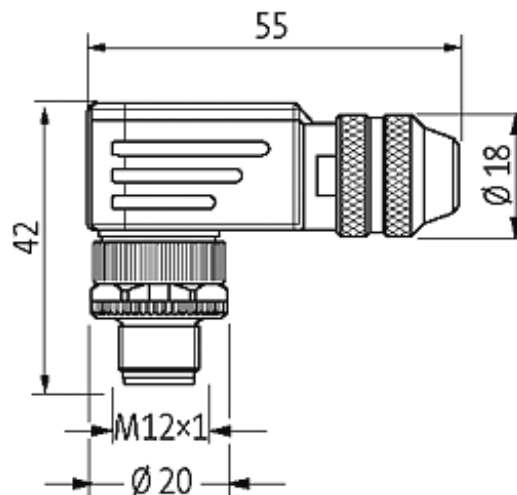
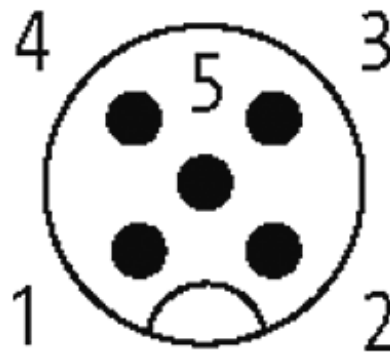
A-coded, 5-pole, shielded

### [Link to Product](#)

#### Illustration



# Male



Product may differ from Image

## Approvals



## Form

13361

## Technical Data

Operating voltage	max. 125 V AC/DC
Operating current per contact	max. 4 A
Connection cross section	max. 0.75 mm <sup>2</sup>
Sealing range (cable diameter)	6..8 mm
Protection	IP67 inserted and tightened (EN 60529)
Housing	CuZn, nickel plated

## General data

Temperature range	-25...+85 °C
-------------------	--------------

**Commercial data**

country of origin	DE
customs tariff number	85369010
minimum order quantity	1