

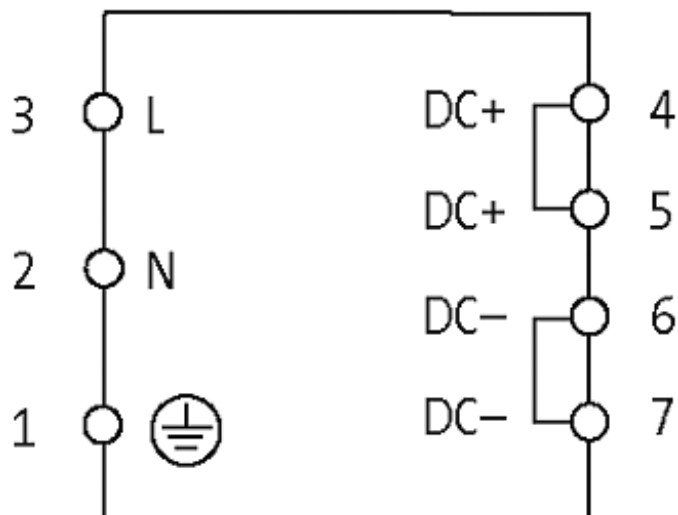
ECO-POWER POWER SUPPLY 1-PHASE,

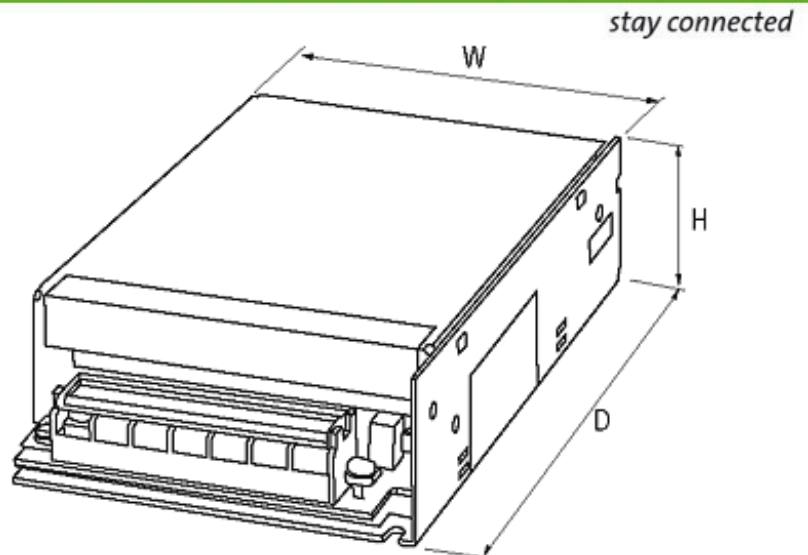
IN: 90-264 VAC OUT: 24V/2,5ADC

INPUT: 100...240 V AC

OUTPUT: 24 V DC \pm 1%

Current: 2.5 A

[Link to Product](#)**Illustration**



Product may differ from Image

Input

Input voltage	100...240 V AC
Input current	1.2 A (115 V AC); 0.5 A (230 V AC)
Inrush current after 1 ms	max. 20 A
Primary fusing external	max. 16 A
Frequency	50...60 Hz

General data

Standards	(EN 60950-1), (EN 61204-3), (EN 55011 B)
Mounting method	screw fixing, M3
Efficiency	85 % (115 V AC); 87 % (230 V AC)
Relative humidity	20...90 %, no condensation
Dimensions H x W x D	40x98x135 mm
Temperature range	0...+40 °C, ...+50 °C derating (storage temperature -20...+85 °C)

Output

Output voltage	24 V DC \pm 1 %
Output current	2.5 A (+40 °C); 2.0 A (+50 °C)
Mains failure bridging time	min. 10 ms (115 V AC); min. 90 ms (230 V AC)
Ripple	max. 20 mVrms
Unit protection	short-circuit and overload protected
Spikes	max. 100 mV p-p
LED display	LED (green) for output voltage
Parallel usage/serial usage	no/yes (max. 2 units)

Commercial data

country of origin	CN
customs tariff number	85044090
minimum order quantity	1