



CYLINDRICAL FUSE-HOLDER 10X38 1000V 30A 1-POLE WITH LED-SIGNAL DETECTOR FOR PHOTOVOLTAIC-APPLICATION

Model		
product brand name		SENTRON

General technical data		
Number of poles		1

Mechanical Design		
Height	mm	85
Width	mm	18
Depth	mm	65

Certificates		
Equipment marking		
<ul style="list-style-type: none"> <li>acc. to DIN EN 61346-2</li> <li>acc. to DIN EN 81346-2</li> </ul>		F F

General Product Approval	Declaration of Conformity	other
--------------------------	---------------------------	-------



[other](#)

### Further information

Information- and Downloadcenter (Catalogs, Brochures,...)  
<http://www.siemens.com/lowvoltage/catalogs>

Industry Mall (Online ordering system)  
<https://eb.automation.siemens.com/mall/en/WW/Catalog/Product/3NW70144>

**Service&Support (Manuals, Certificates, Characteristics, FAQs,...)**

<http://support.automation.siemens.com/WW/view/en/3NW70144/all>

**Image database (product images, 2D dimension drawings, 3D models, device circuit diagrams, ...)**

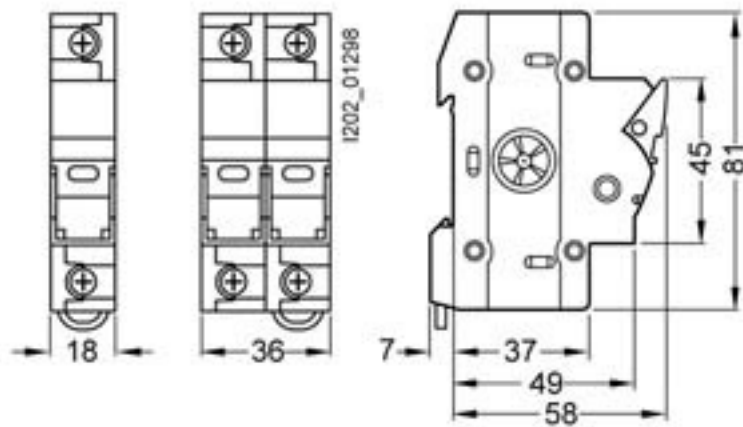
[http://www.automation.siemens.com/bilddb/cax\\_en.aspx?mlfb=3NW70144](http://www.automation.siemens.com/bilddb/cax_en.aspx?mlfb=3NW70144)

**CAX-Online-Generator**

<http://www.siemens.com/cax>

**Tender specifications**

<http://ausschreibungstexte.siemens.com/tiplv>



last modified:

11.03.2015