

STANDARD ACTUATOR PLASTIC 40MM LONG, FOR POS. W. SEPARATE ACTUATOR 3SE51../3SE52.. AND ASI 3SF11../3SF12..;

Product designation	actuator	
<b>General technical data:</b>		
Shock resistance	30g / 11 ms	
Vibration resistance	0.35 mm / 5g	
Mechanical service life (switching cycles)	1 000 000	
• typical		
Equipment marking	T	
• acc. to DIN EN 61346-2	T	
• acc. to DIN EN 81346-2	T	
Active principle	mechanical	
<b>Drive Head:</b>		
Design of the operating mechanism	Standard actuator, plastic	
<b>Ambient conditions:</b>		
Ambient temperature		
• during operation	°C	-25 ... +85
• during storage	°C	-40 ... +90
<b>Installation/ mounting/ dimensions:</b>		
mounting position	any	
Mounting type	screw fixing	
<b>Certificates/ approvals:</b>		

General Product Approval	Functional Safety/Safety of Machinery	Declaration of Conformity	other
--------------------------	---------------------------------------	---------------------------	-------



[Type Examination Certificate](#)



[Confirmation](#)

## Further information

### Information- and Downloadcenter (Catalogs, Brochures,...)

<http://www.siemens.com/industrial-controls/catalogs>

### Industry Mall (Online ordering system)

<http://www.siemens.com/industrymall>

### Cax online generator

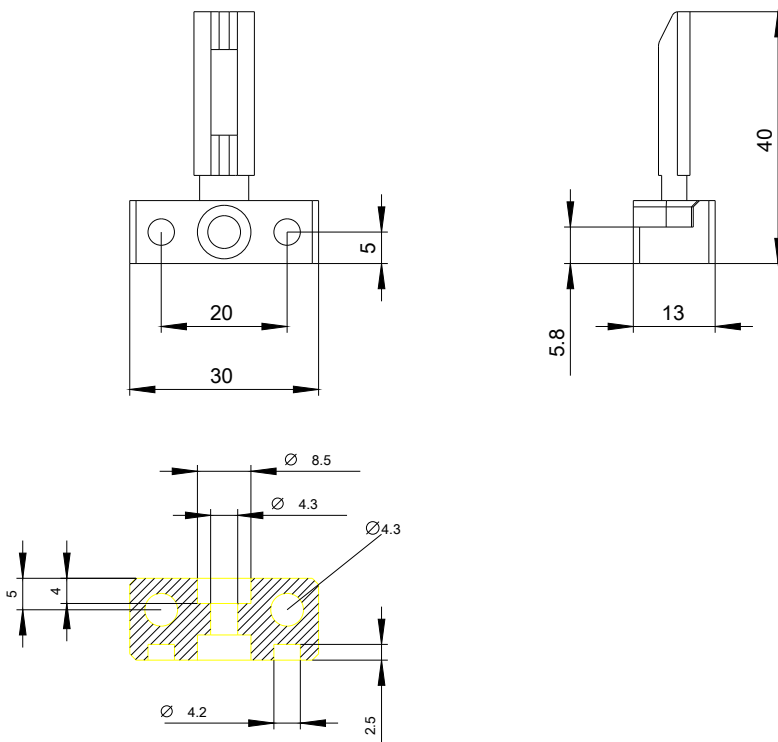
<http://support.automation.siemens.com/WW/CAXorder/default.aspx?lang=en&mfb=3SE5000AW11>

### Service&Support (Manuals, Certificates, Characteristics, FAQs,...)

<http://support.automation.siemens.com/WW/view/en/3SE5000AW11/all>

### Image database (product images, 2D dimension drawings, 3D models, device circuit diagrams, EPLAN macros, ...)

[http://www.automation.siemens.com/bilddb/cax\\_de.aspx?mfb=3SE5000AW11&lang=en](http://www.automation.siemens.com/bilddb/cax_de.aspx?mfb=3SE5000AW11&lang=en)



**last modified:**

09.03.2015