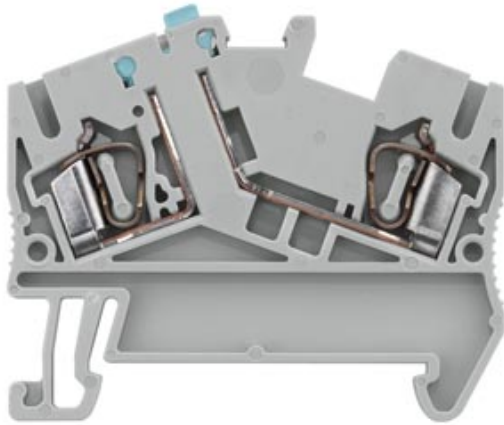


ISOLATING BLADE TERMINAL WITH SPRING CONNECTION, COMPACT DESIGN, SECTION: 0.08 - 2.5 MM², WIDTH: 5.2 MM, COLOR: GRAY



Model		
Type of longitudinal separation		others
Type of lateral separation		without
Design of terminal / Terminal levels internally linked		No
General technical data		
Insulation material		others
Terminal contact spacing	mm	5.2
Protection class		
Combustibility class acc. to UL 94		V0
Main circuit		
Operating voltage / Rated value	V	400
Operating current / Rated value	A	16
Appearance		
Color		grey
Product details		
Product component		
<ul style="list-style-type: none"> • required / connection plate • Test socket 		No No
Number		
Number of terminal levels		1
Number of terminal points / per terminal level		2
Connections		

Connectable conductor cross-section / stranded		
• minimum	mm ²	0.25
• maximum	mm ²	2.5
Connectable conductor cross-section		
• solid		
— minimum	mm ²	4
— maximum	mm ²	4
• finely stranded		
— with core end processing / minimum	mm ²	2.5
— with core end processing / maximum	mm ²	2.5
— without core end processing / minimum	mm ²	2.5
— without core end processing / maximum	mm ²	2.5
Type of electrical connection		
• 1		spring-loaded terminal
• 2		spring-loaded terminal
Position / of the terminal		top

Mechanical Design		
Height / with lowest-profile installation	mm	43
Length	mm	51
Mounting type		DIN rail 35 mm
Material / of the insulating body		Other

General Product Approval	Declaration of Conformity	Shipping Approval
---------------------------------	----------------------------------	--------------------------



GOST

UL

EG-Konf.

LRS

Further information

Information- and Downloadcenter (Catalogs, Brochures,...)

<http://www.siemens.com/lowvoltage/catalogs>

Industry Mall (Online ordering system)

<https://eb.automation.siemens.com/mall/en/WW/Catalog/Product/8WH25006CF00>

Service&Support (Manuals, Certificates, Characteristics, FAQs,...)

<http://support.automation.siemens.com/WW/view/en/8WH25006CF00/all>

Image database (product images, 2D dimension drawings, 3D models, device circuit diagrams, ...)

http://www.automation.siemens.com/bilddb/cax_en.aspx?mlfb=8WH25006CF00

CAX-Online-Generator

<http://www.siemens.com/cax>

Tender specifications

<http://ausschreibungstexte.siemens.com/tiplv>

last modified:

11.03.2015