

# Lens

for Digital Camera and weQube with C mount

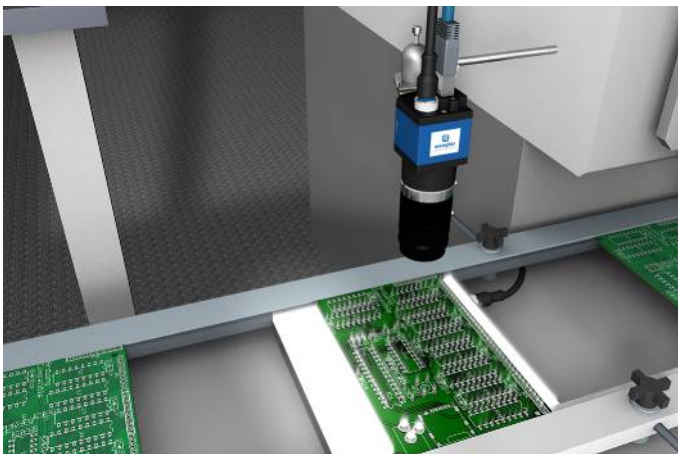
## LAC16-14-K01

Part Number



- Adjustable aperture
- Adjustable focus
- Fixed focal length lens with C mount threaded connection

Fixed focal length lenses with C mount threaded connection can be used, for example, on Smart Cameras with C mount connection. Adjustable f-stops and adjustable focus offer greatest possible variability for the implementation of complex vision applications.



### Technical Data

#### Optical Data

Focal Distance 16 mm

#### Mechanical Data

Lens thread C-Mount

Aperture adjustable

Aperture arrestable

Adjustable Range Aperture F 1,4...16

Minimum object distance 100 mm

Filter Screw Size M25,5 × 0,5 mm

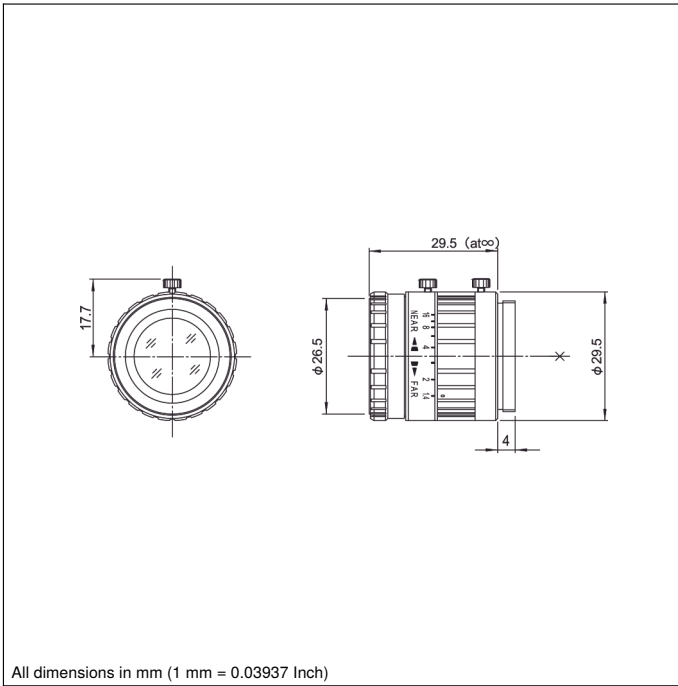
Temperature Range -10...50 °C

Packaging unit 1 Piece

### Complementary Products

Allen Key with Threaded Pins Z0070

Protective Housing ZSZ-0x-01



### Field of vision for Smart Cameras with C-Mount

Working Distance	200 mm	400 mm	800 mm
Visual Field	23 × 15	51 × 33	164 × 105

