

03

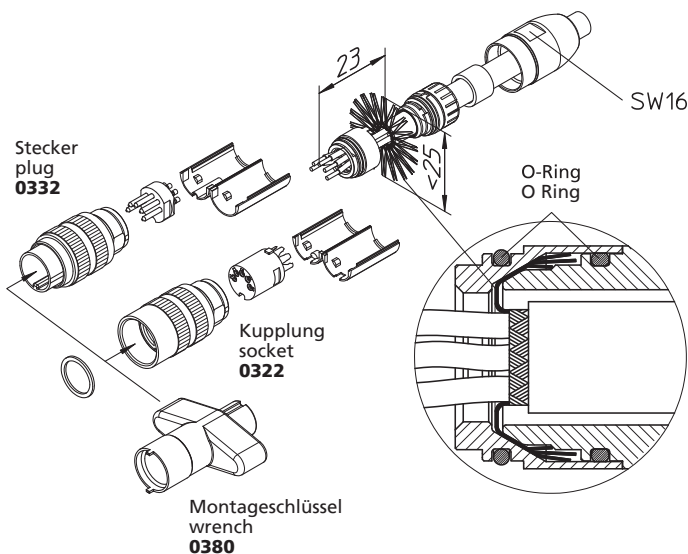
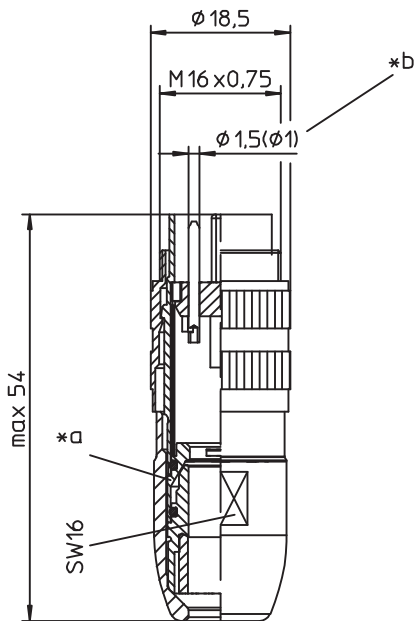
0332

Circular connectors with threaded joint M16 acc. to IEC 61076-2-106, IP40/IP67/IP68



Plug acc. to IEC 61076-2-106, IP68, with threaded joint and solder terminals, shielded at 360°

03 0332



#### Environmental conditions

Temperature range -40 °C/+85 °C

#### Materials

Insulating body	PA GF, V-0 according to UL94
Contact pin	CuZn, silver-plated and flash gold-plated (3-8 poles) CuZn, pre-nickel and gold-plated (12-14 poles)
Housing	CuZn, nickel-plated
Knurled screw	CuZn, nickel-plated
Seal	NBR

#### Mechanical data

Tightening torque connector	1-3 Nm
Tightening torque nut	1-3 Nm
Protection class	IP68 <sup>1</sup>

<sup>1</sup> according to IEC DIN EN 60529, only in locked condition with an appropriate counterpart; IPX8 requirements under agreement between manufacturer and user

#### Connectable conductors for solder area

Section	$\leq 0,75 \text{ mm}^2$ (AWG 20) (3-8 poles) $\leq 0,25 \text{ mm}^2$ (AWG 24) (12-14 poles)
Cable diameter	4-8 mm

#### Electrical data (at $T_{\text{amb}} 20 \text{ }^\circ\text{C}$ )

Rated current	5 A ( $T_{\text{amb}} 40 \text{ }^\circ\text{C}$ , 3-8 poles) 3 A ( $T_{\text{amb}} 40 \text{ }^\circ\text{C}$ , 12-14 poles)
Rated voltage	250 V (versions 03, 04, 05-1, 06, 07) 60 V (versions 05, 07-1, 08, 08-1, 12, 14)
Rated impulse voltage	2000 V (versions 03, 04, 05-1, 06, 07) 1000 V (versions 05, 07-1, 08, 08-1, 12, 14)
Insulation resistance	> 100 M $\Omega$

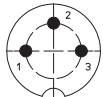
#### Associated products

Counterparts		
☞ 0304	☞ 0304-1	☞ 0304-2
☞ 0305	☞ 0305-1	☞ 0305-1 U
☞ 0305-2	☞ 0306	☞ 0306-1
☞ 0306-2	☞ 0307	☞ 0307-1

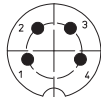
03

0332

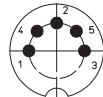
Pin configurations, solder side view



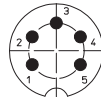
03-a  
0332 03



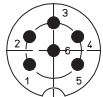
04-a  
0332 04



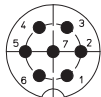
05-b  
0332 05



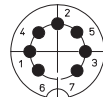
05-a  
0332 05-1



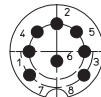
06-a  
0332 06



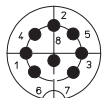
07-a  
0332 07



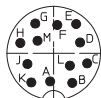
07-b  
0332 07-1



0332 08



08-a  
0332 08-1



12-a  
0332 12



14-a  
0332 14

☞ 0307-2

☞ 030799-2

☞ 0308-2

☞ 0322-1

☞ 036000

☞ 0363

Accessories

☞ 0383

☞ 030798-1

☞ 0308

☞ 0321

☞ 032200

☞ 0362

☞ 038399

☞ 030798-2

☞ 0308-1

☞ 0322

☞ 0360

☞ 036297

☞ 038899

\*a shielding

\*b 12 and 14 pole version Ø 1.0 mm

03

0332

Designation	Pole Number	PU (Pieces)	MDQ (Pieces)
0332 03	3	50	100
0332 04	4	50	100
0332 05	5	50	100
0332 05-1	5	50	100
0332 06	6	50	100
0332 07	7	50	100
0332 07-1	7	50	100
0332 08	8	50	100
0332 08-1	8	50	100
0332 12	12	50	100
0332 14	14	50	100

**Packaging:**

sets of individual parts in plastic bags, in a cardboard box