

Line laser, green, 532 nm, 90 °, 10 mW

LD532-10-5(20x80)-C1000
 Order Number: 70115888

| Main Parameters (*) | min | typ | max | Unit |
|-----------------------|-----|-----|-----|------|
| Wavelength | | 532 | | nm |
| Optical Output Power | | 10 | | mW |
| Operating Voltage | | 5 | | V DC |
| Operating Current | 150 | 300 | 450 | mA |
| Operating Temperature | 15 | | 30 | °C |
| Storage Temperature | -40 | | 80 | °C |

Main Data

| | |
|----------|---------|
| Warranty | 1 years |
|----------|---------|

Technical Parameters

| | |
|----------|-----------|
| Lifetime | > 5,000 h |
| RoHS | yes |

Optical Parameters

| | |
|--------------------|----------------------|
| Beam Shape | Line |
| Laser Class | 1M |
| Divergence | D - 0.5 mrad |
| Fan Angle | 90 ° |
| Line Thickness | <1.5mm@3m |
| Operating Distance | 5 m |
| Optics | glass lens AR coated |
| Beam Mode | TEM00 |
| Laser technology | YVO4+KTP |
| Stability | +/- 20% @ 15-30°C |
| Focus | fixed (3000mm) |
| Warm up time | < 15 min |

Electrical Parameters

| | |
|----------------------|----------|
| Potential of Housing | isolated |
| Power Supply | LFNT-5 |

Mechanical Parameters

| | |
|-----------------|---------------------|
| Size | Ø20x80 mm |
| Material | aluminium |
| Cable length | 1,000 mm |
| Wire type | 22AWG, black, 3,6mm |
| Output Aperture | 5 mm |
| Weight | 57 g |

(*) Over the complete operating temperature range

Features



- Operating Voltage 5 V DC
- Laser Class 1M
- Uniform line thickness
- Fixed focus
- Image processing

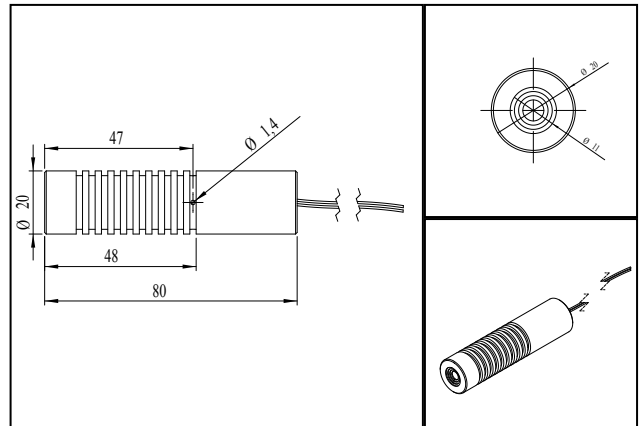
Picture



Cable color

| | | | |
|----------|--|-------|--------|
| Ground | | black | GND |
| positive | | red | 5 V DC |

Drawing



Safety Label



Valid Revision

6 | 22-JUL-2020