

Precision Universal Joints similar to DIN 808, Stainless Steel

These single and double universal joints feature a simple design with very small tolerances and high precision and performance. These universal joints can be used at speeds up to max. 800 min⁻¹.

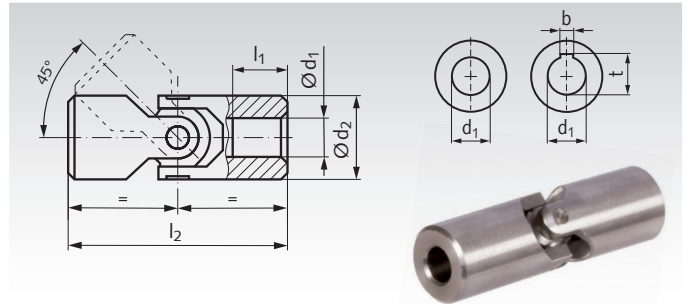
The torques of the stainless precision universal joints amount less of the standard steel version. At an operating angle of 45° only manual operation is possible.

Single Precision Universal Joints WER, Stainless Steel

Material: Stainless steel 1.4301 (X5CrNi1810, AISI 304).

Max. Operating Angle 45°.

Optionally without or with keyway DIN 6885-1, on both sides.



Ordering Details: e.g.: Product No. 631 992 15, Universal Joint WER, 6 mm Bores, without Keyway

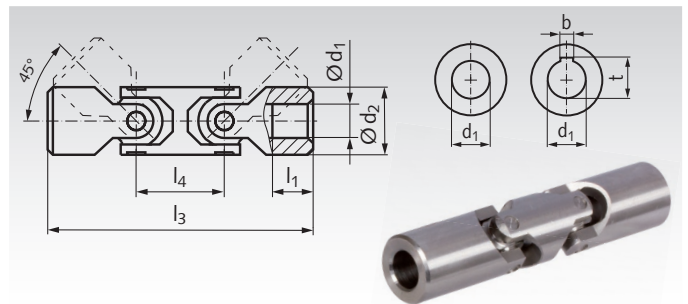
Product No. without keyway	Product No. with keyway	d ₁ ^{H7} mm	d ₂ mm	l ₁ mm	l ₂ mm	b ^{JS9} mm	t mm	perm. max. Torques at different Speeds				Weight kg
								100 min ⁻¹ Nm	200 min ⁻¹ Nm	400 min ⁻¹ Nm	800 min ⁻¹ Nm	
631 992 15	-	6	13	18	50	-	-	6,6	6,6	4,8	-	0,04
631 992 16	631 992 16N	8	16	19	58	2	9,0	12,9	9,0	6,9	4,6	0,06
631 992 20	631 992 20N	10	22	25	76	3	11,4	18,4	12,4	9,6	5,2	0,13
631 992 26	631 992 26N	12	25	29	86	4	13,8	31,5	18,9	12,0	8,7	0,23
631 992 29	631 992 29N	14	29	30	90	5	16,3	49,5	31,9	26,4	18,9	0,33
631 992 32	631 992 32N	16	32	30	95	5	18,3	68	63	42	26	0,42
631 992 37	631 992 37N	18	37	35	108	6	20,8	114	90	53	-	0,65
631 992 40	631 992 40N	20	40	32	108	6	22,8	176	126	70	-	0,75
631 992 47	631 992 47N	22	47	38	127	6	24,8	219	144	88	-	1,26
631 992 50	631 992 50N	25	50	44	140	8	28,3	288	180	108	-	1,52
631 992 57	631 992 57N	30	58	58	178	8	33,3	324	198	117	-	2,60

Double Precision Universal Joints WDR, Stainless Steel

Material: Stainless steel 1.4301 (X5CrNi1810, AISI 304).

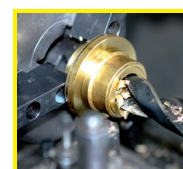
Max. Operating Angle 90°.

Optionally without or with keyway DIN 6885-1, on both sides.



Ordering Details: e.g.: Product No. 631 997 26, Universal Joint WDR, 12 mm Bores, without Keyway

Product No. without keyway	Product No. with keyway	d ₁ ^{H7} mm	d ₂ mm	l ₁ mm	l ₃ mm	l ₄ mm	b ^{JS9} mm	t mm	perm. max. Torques at different Speeds				Weight kg
									100 min ⁻¹ Nm	200 min ⁻¹ Nm	400 min ⁻¹ Nm	800 min ⁻¹ Nm	
631 997 26	631 997 26N	12	22	25	105	29	4	13,8	18,4	12,4	9,6	5,2	0,20
631 997 29	631 997 29N	14	25	29	119	33	5	16,3	31,5	18,9	12,0	8,7	0,30
631 997 32	631 997 32N	16	29	30	125	35	5	18,3	50	31,9	26,4	18,9	0,43
631 997 37	631 997 37N	18	32	30	134	39	6	20,8	68	63	42	25,9	0,56
631 997 40	631 997 40N	20	40	32	154	46	6	22,8	178	126	70	-	1,06
631 997 47	631 997 47N	22	40	38	173	46	6	24,8	178	126	70	-	1,16
631 997 50	631 997 50N	25	50	44	199	59	8	28,3	288	180	108	-	2,16
631 997 57	631 997 57N	30	58	58	244	66	8	33,3	324	198	117	-	3,48



**Reworking within
24h-service possible.
Custom made parts
on request.**