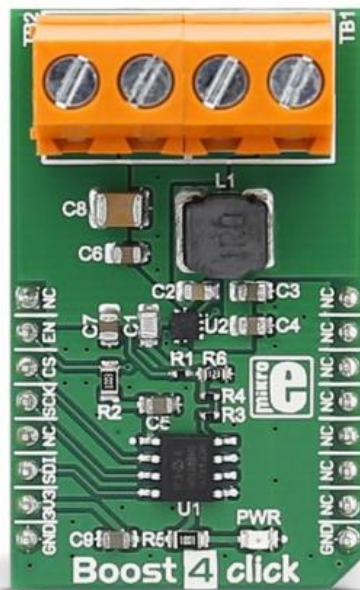


## Boost 4 click

PID: MIKROE-2757

**Boost 4 click** carries the [TPS61230A](#), a high efficiency fully integrated synchronous boost converter from Texas Instruments. The click is designed to run on a 3.3V power supply. Boost 4 click drives the target chip through the digi pot, which has SPI communication with the microcontroller on the system.

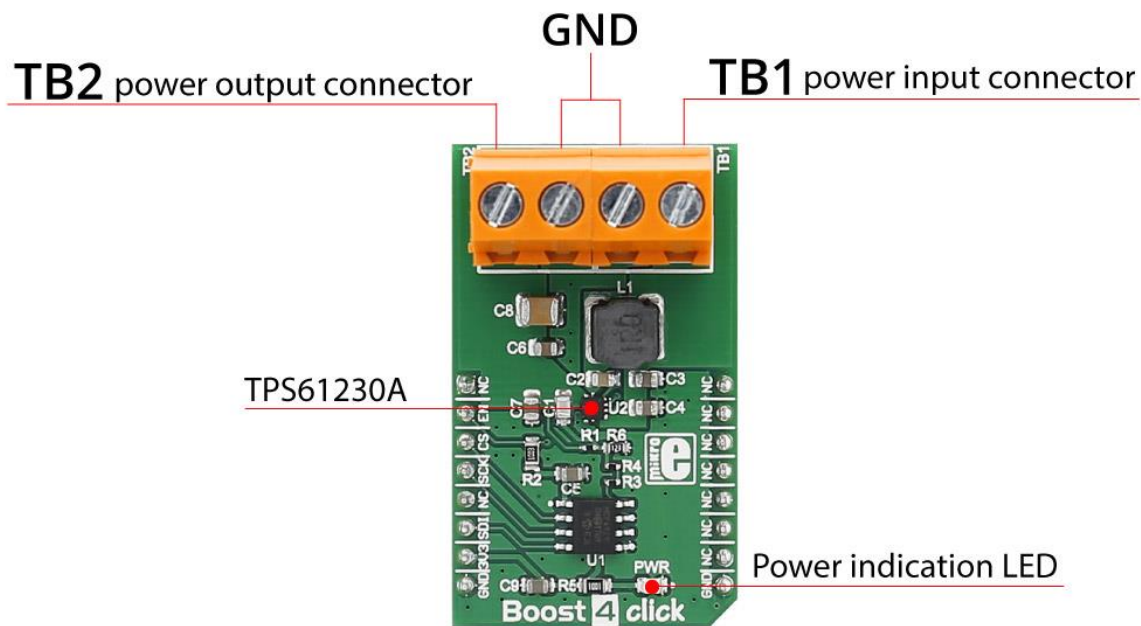


Boost 4 click is the power management solution for your next project.

## How the click works

---

Boost 4 click provides an adjustable output voltage through the SPI DAC, that drives the FB pin to set desired voltage. The click is capable of delivering up to **2.4-A output current** at a 5V output with the 2.5-V input supply.



## TPS61230A features

---

The TPS61230A device is a high efficiency fully integrated synchronous boost converter. It integrates 6-A, 21-mΩ and 18-mΩ power switches.

During the light load condition, the TPS61230A automatically enters into the PFM operation for maximizing the efficiency with the lowest quiescent current.

In the shutdown by pulling EN pin to the logic low, the load is completely disconnected from the input, and the input current consumption is reduced to below 1.0  $\mu$ A.

## Specifications


---

<b>Type</b>	Boost
<b>Applications</b>	Battery powered products, battery backup units, etc.
<b>On-board modules</b>	TPS61230A, a high efficiency fully integrated synchronous boost converter from Texas Instruments
<b>Key Features</b>	Input Voltage Range: 2.5 V to 4.5 V, output Voltage Range: 2.5 V to 5.5 V
<b>Interface</b>	SPI
<b>Input Voltage</b>	3.3V
<b>Click board size</b>	M (42.9 x 25.4 mm)

## Pinout diagram

---

This table shows how the pinout on **Boost 4 click** corresponds to the pinout on the mikroBUS™ socket (the latter shown in the two middle columns).

Notes	Pin	 mikro™ BUS				Pin	Notes
	NC	1	AN	PWM	16	NC	
Enable pin	EN	2	RST	INT	15	NC	
Chip select	CS	3	CS	TX	14	NC	
SPI clock	SCK	4	SCK	RX	13	NC	
	SDO	5	MISO	SCL	12	NC	
Slave data in for SPI	SDI	6	MOSI	SDA	11	NC	
	NC	7	3.3V	5V	10	NC	
Ground	GND	8	GND	GND	9	GND	Ground