

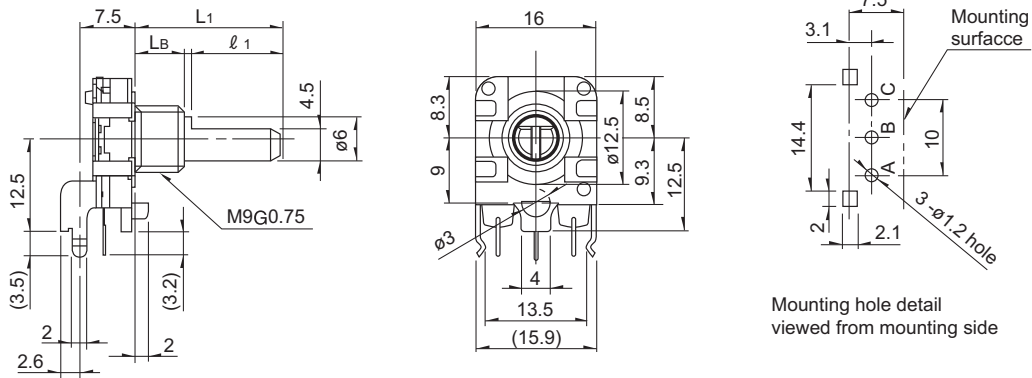
## Rotary Encoder



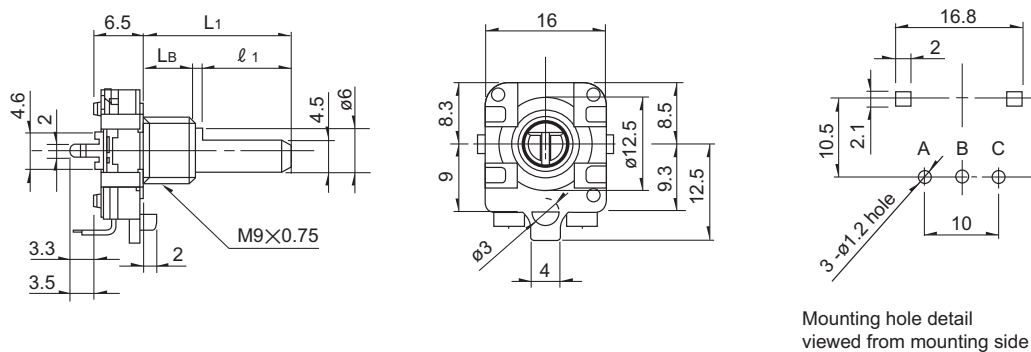
Order Number	Size (mm)	Number of Pulses	Detents	Details	Shaft length (mm)	Shaft Style	Attachement	Rest of Specification
STEC16B01	16 mm	24	Without Detent	Horizontal Type	25 mm	Flat	No	Standard
STEC16B02	16 mm	24	24	Horizontal Type	25 mm	Flat	No	Standard
STEC16B03	16 mm	24	Without Detent	Vertical Type	25 mm	Flat	No	Standard
STEC16B04	16 mm	24	24	Vertical Type	25 mm	Flat	No	Standard

Standard Specifications:  
 Ratings: 0,5mA 5 VDC  
 max. Operating Current: 0,5mA  
 Insulation Resistance: 50V DC 10 MΩ min.  
 Withstand Voltage: 50V AC

### EC16B Horizontal



### EC16B Vertikal



Unit: (mm)