



Positive Lock | Positive Lock 250

TE Internal #: 520935-1

TE Internal Description: PLMKII&FASTON 250 REC HSG 2P NAT

[View on TE.com >](#)

Terminals & Splices > Terminal Housings, Insulation Sleeves & Blocks > Crimp Terminal Housings



Terminal & Splice Type: **Receptacle**

Housing Type: **Receptacle**

Number of Positions: **2**

Terminal Orientation: **Straight**

UL Flammability Rating: **UL 94V-2**

## Features

### Product Type Features

Product Type	Terminal Housing
Terminates To	Wire & Cable
Connector System	Wire-to-Board, Wire-to-Wire
Housing Type	Receptacle
Sealable	No
Insulated	No

### Configuration Features

Number of Positions	2
---------------------	---

### Body Features

Housing Color	Natural
Mating Retention	With
Mating Alignment	With

### Contact Features

Terminal & Splice Type	Receptacle
Terminal Orientation	Straight

### Mechanical Attachment

Mating Alignment Type	Polarization
Mounting Style	Free Hanging

### Housing Features

Housing Material	Nylon
------------------	-------

### Dimensions

	.475 in
Centerline	15.11 mm[.595 in]

### Usage Conditions

Operating Temperature Range	-40 – 105 °C[-40 – 221 °F]
-----------------------------	----------------------------

### Operation/Application

For Use With	FASTON Terminals
--------------	------------------

### Industry Standards

UL Flammability Rating	UL 94V-2
------------------------	----------

### Packaging Features

Packaging Quantity	1
Packaging Method	Carton

### Product Compliance

[For compliance documentation, visit the product page on TE.com>](#)

EU RoHS Directive 2011/65/EU	Compliant
EU ELV Directive 2000/53/EC	Compliant
China RoHS 2 Directive MIIT Order No 32, 2016	No Restricted Materials Above Threshold
EU REACH Regulation (EC) No. 1907/2006	欧洲化学品管理局最新发布的SvHCs候选清单: 2020年1月 (205) SvHCs候选清单的声明更新至: 2020年1月 (205) 不含REACH SVHC
EU REACH Regulation (EC) No. 1907/2006	欧洲化学品管理局最新发布的SvHCs候选清单: 2020年1月 (205) SvHCs候选清单的声明更新至: 2020年1月 (205)
Halogen Content	Low Halogen - Br, Cl, F, I < 900 ppm per homogenous material. Also BFR/CFR/PVC Free

Solder Process Capability

Not applicable for solder process capability

Product Compliance Disclaimer

This information is provided based on reasonable inquiry of our suppliers and represents our current actual knowledge based on the information they provided. This information is subject to change. The part numbers that TE has identified as EU RoHS compliant have a maximum concentration of 0.1% by weight in homogenous materials for lead, hexavalent chromium, mercury, PBB, PBDE, DBP, BBP, DEHP, DIBP, and 0.01% for cadmium, or qualify for an exemption to these limits as defined in the Annexes of Directive 2011/65/EU (RoHS2). Finished electrical and electronic equipment products will be CE marked as required by Directive 2011/65/EU. Components may not be CE marked. Additionally, the part numbers that TE has identified as EU ELV compliant have a maximum concentration of 0.1% by weight in homogenous materials for lead, hexavalent chromium, and mercury, and 0.01% for cadmium, or qualify for an exemption to these limits as defined in the Annexes of Directive 2000/53/EC (ELV). Regarding the REACH Regulations, TE's information on SVHC in articles for this part number is still based on the European Chemical Agency (ECHA) 'Guidance on requirements for substances in articles' (Version: 2, April 2011), applying the 0.1% weight on weight concentration threshold at the finished product level. TE is aware of the European Court of Justice ruling of September 10th, 2015 also known as O5A (Once An Article Always An Article) stating that, in case of 'complex object', the threshold for a SVHC must be applied to both the product as a whole and simultaneously to each of the articles forming part of its composition. TE has evaluated this ruling based on the new ECHA "Guidance on requirements for substances in articles" (June 2017, version 4.0) and will be updating its statements accordingly.

### Compatible Parts



TE Model / Part # 63933-1  
PL .250 TERMINAL REC 22-18 AWG BR



TE Model / Part # 63854-1  
PL 250 TERMINAL RECEPTACLE 18-14 AWG BR



TE Model / Part # 63933-2  
PL .250 TERMINAL REC 22-18 AWG TPBR



TE Model / Part # 63854-2  
PL 250 RECEPTACLE 18-14 AWG TPBR




TE Model / Part # 1217092-1  
PL 250 TERMINAL RECEPTACLE 16-12 AWG BR



TE Model / Part # 1217092-2  
PL 250 TERMINAL REC 16-12 AWG TPBR


### Also in the Series | Positive Lock 250



Crimp Terminal Housings(184)

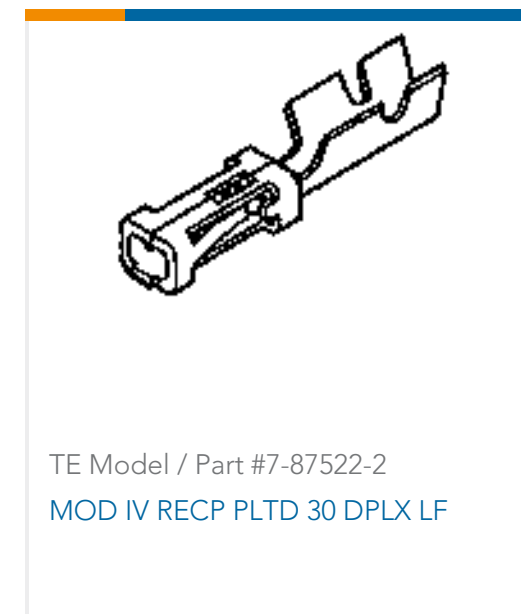


Insulation Boots & Sleeves(6)



Quick Disconnects(187)

## Customers Also Bought



## Documents

### Product Drawings

PLMKII&FASTON 250 REC HSG 2P NAT

English

### CAD Files

3D PDF

3D

Customer View Model

[ENG\\_CVM\\_CVM\\_520935-1\\_AW.2d\\_dxf.zip](#)

English

Customer View Model

[ENG\\_CVM\\_CVM\\_520935-1\\_AW.3d\\_igs.zip](#)

English

Customer View Model

[ENG\\_CVM\\_CVM\\_520935-1\\_AW.3d\\_stp.zip](#)

English

By downloading the CAD file I accept and agree to the [Terms and Conditions](#) of use.



**Datasheets & Catalog Pages**

**Positive Lock Receptacles**

English

**FASTON Housings**

English

---

**Product Specifications**

**Application Specification**

English

---

**Product Environmental Compliance**

**TE Material Declaration**

English

---

**Agency Approvals**

**UL Report**

English

**UL Report**

English