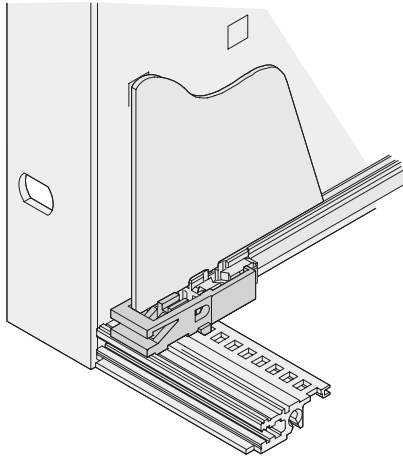


## PCB accessories

### PCB retainer B1, B2



06109050

- For fixing PCBs
- Can also be used without PCB handle
- Application on top and bottom horizontal rail
- Suitable for PCB handles B1 and B2

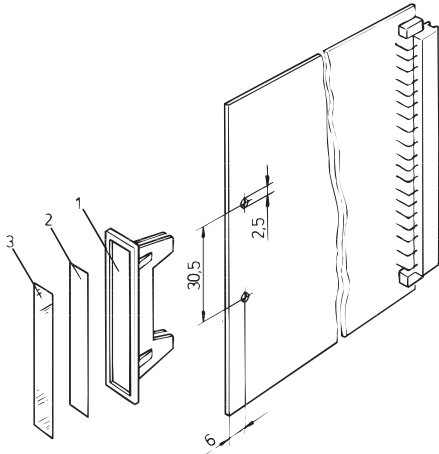
#### Order Information

Description	Material	Colour	Qty/PU	Part no.
PCB retainer B1, B2	PPO, UL 94 V-0	red	10	<b>24560-381</b>

#### Note

- Groove width 2 mm

### PCB handle, snap-on



A3261

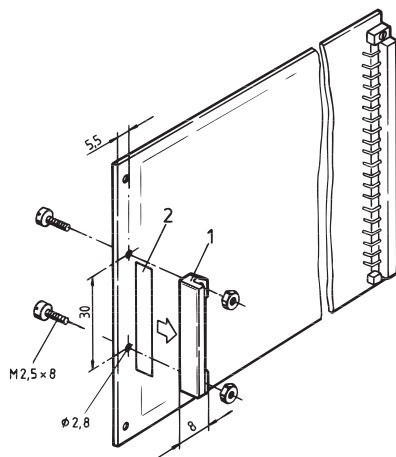
- For board thickness 1.6 mm

#### Order Information

Item	Description	Material	Colour	Qty	Part no.
1	PCB handle, can be locked	PPE, UL 94 V-1	grey	1 piece (SPQ 5)	<b>60800-039</b>
1	PCB handle, can be locked	PPE, UL 94 V-1	red	1 piece (SPQ 5)	<b>60800-045</b>
<b>Transparent strips</b>					<b>69000-007</b>
Item 3, 50 × 5 × 0.3 mm, PU 100 pieces					

SPQ (standard pack quantity): Order number includes 1 piece, but delivery is exclusively made in standard pack quantity: Therefore please order at least 10 pieces PCB handles or a multiple thereof

### PCB handle, can be bolted/riveted



A4-1302

- for board thickness 1.6 mm

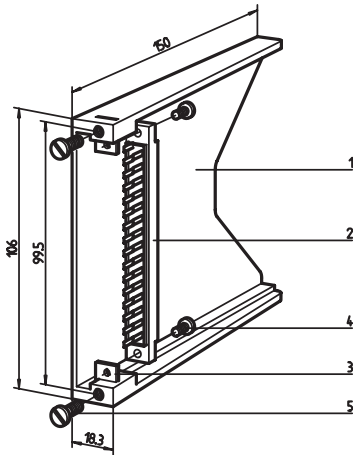
#### Order Information

Item	Description	Material	Colour	Qty	Part no.
1	PCB handle, can be bolted/riveted	Acrylic	yellow	1 piece (SPQ 5)	<b>60817-050</b>
2	PCB handle, can be bolted/riveted	Acrylic	red	1 piece (SPQ 5)	<b>60817-051</b>
1	PCB handle, can be bolted/riveted	Acrylic	green	1 piece (SPQ 5)	<b>60817-052</b>
<b>Identification strip</b> Item 2, carton, white, 37.5 × 7 × 0.15 mm, 1 sheet = 105 pieces					<b>69000-969</b>
<b>Pozidrive panhead screw</b> M2.5 × 8, St, nickel-plated, PU 100 pieces					<b>21101-069</b>
<b>Hexagon nut</b> A 2.5, nickel-plated, PU 100 pieces					<b>21100-144</b>
<b>Tubular rivet</b> B2.5 × 0.25 × 5, St/ brass, untreated, PU 100 pieces					<b>21100-459</b>

SPQ (standard pack quantity): Order number includes 1 piece, but delivery is exclusively made in standard pack quantity: Therefore please order at least 10 pieces PCB handles or a multiple thereof

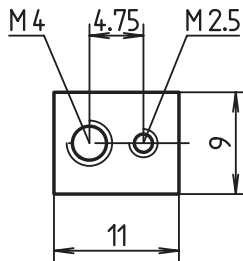
## PCB accessories

### PCB pocket



Retention bracket (DIN 41 612)

LKA42605



LKA42606

- Accepts PCBs in euroboard format, 100 × 160 mm
- For female connectors to EN 60603 (DIN 41612)

#### Delivery comprises (kit)

Item	Qty	Description
1	1	PCB pocket, PBT (P), grey, UL 94 V-0
3	2	Retention bracket, St, 2 mm, nickel-plated
4	2	Cheesehead screw M2.5 × 6, St, nickel-plated
5	2	Cheesehead screw M4 × 12, St, nickel-plated

#### Order Information

Item	Description	Material	Colour	Qty/PU	Part no.
1	PCB pocket	PBT (P)	grey	1	<b>20800-032</b>

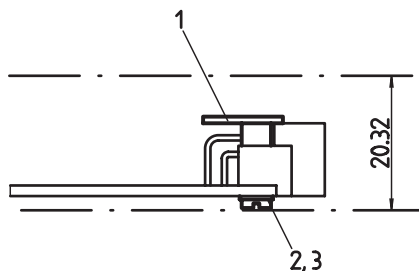
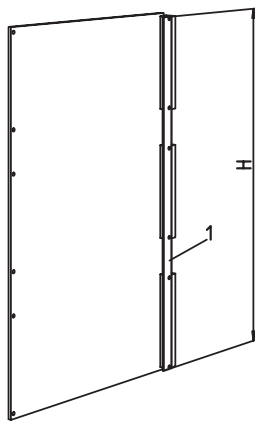
#### Note

- Connector (item 2) see chapter Accessories - Connectors, page 11.2



For further information [www.schroff.biz/oneclick](http://www.schroff.biz/oneclick)  
oneClick search code = Part no.

### PCB reinforcement (9 U)



LKA42609

LKA42593

- Protects large PCBs from sagging
- Links all connectors together as a second web (corresponds to IEEE recommendations, P 896, Nubus, Multibus® II etc.)
- Fixing points match connectors compatible with EN 60603 (DIN 41612), types B, R, C and D

#### Delivery comprises (kit)

Item	Qty	Description
1	1	PCB reinforcement, Al extrusion, anodised, cut edges plain; separator, stainless steel, bolted on
2	6	Cheesehead screw M 2.5 × 12, St, nickel-plated
3	6	Washer 2.6, St, nickel-plated

#### Order Information

Description	Height H mm	Part no.
For 9 U PCBs	361.6	<b>20809-441</b>



For further information [www.schroff.biz/oneclick](http://www.schroff.biz/oneclick)  
oneClick search code = Part no.