


120x120x25 mm

75.0~108.2 CFM

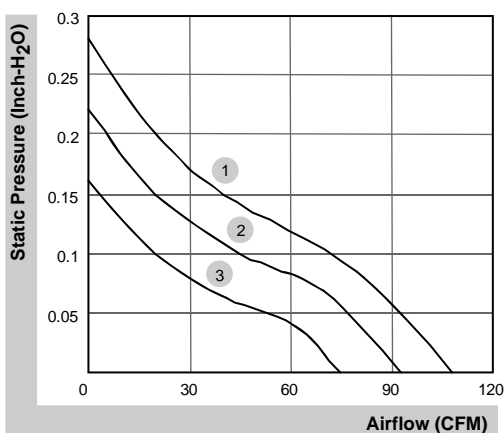


Specifications

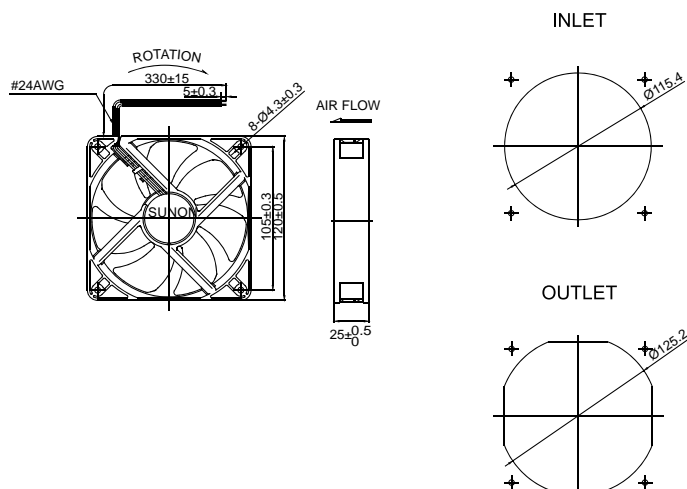
|  | Bearing | Rating Voltage | Power Current | Power Consumption | Speed | Air Flow | Static Pressure | Noise | Weight | Curve |
|---|---------|----------------|---------------|-------------------|-------|----------|-------------------------|---------|--------|-------|
| | ● VAPO | (VDC) | (mA) | (WATTS) | (RPM) | (CFM) | (inch-H ₂ O) | (dB(A)) | (g) | |
| MFC0251V1-000U-A99 | ● | 12 | 350 | 4.20 | 3100 | 108.2 | 0.28 | 44.5 | 162.0 | 1 |
| MFC0251V2-000U-A99 | ● | 12 | 250 | 3.00 | 2700 | 93.0 | 0.22 | 40.5 | 162.0 | 2 |
| MFC0251V3-000U-A99 | ● | 12 | 140 | 1.68 | 2200 | 75.0 | 0.16 | 34.0 | 162.0 | 3 |
| MEC0252V1-000U-A99 | ● | 24 | 207 | 5.00 | 3100 | 108.2 | 0.28 | 44.5 | 162.0 | 1 |
| MEC0252V2-000U-A99 | ● | 24 | 146 | 3.50 | 2700 | 93.0 | 0.22 | 40.5 | 162.0 | 2 |
| MEC0252V3-000U-A99 | ● | 24 | 84 | 2.00 | 2200 | 75.0 | 0.16 | 34.0 | 162.0 | 3 |

| Model | Bearing | Rating Voltage | Power Current | Power Consumption | Speed | Air Flow | Static Pressure | Noise | Weight | Curve |
|--------------------|----------------|----------------|---------------|-------------------|-------|----------|-------------------------|---------|--------|-------|
| | ⊕ 2BALL Sleeve | (VDC) | (mA) | (WATTS) | (RPM) | (CFM) | (inch-H ₂ O) | (dB(A)) | (g) | |
| EEC0251B1-000U-A99 | ⊕ | 12 | 451 | 5.4 | 3100 | 108.2 | 0.28 | 44.5 | 157.0 | 1 |
| EEC0251B2-000U-A99 | ⊕ | 12 | 279 | 3.4 | 2700 | 93.0 | 0.22 | 40.5 | 157.0 | 2 |
| EEC0251B3-000U-A99 | ⊕ | 12 | 161 | 1.9 | 2200 | 75.0 | 0.16 | 34.0 | 157.0 | 3 |
| EEC0252B1-000U-A99 | ⊕ | 24 | 207 | 5.0 | 3100 | 108.2 | 0.28 | 44.5 | 157.0 | 1 |
| EEC0252B2-000U-A99 | ⊕ | 24 | 146 | 3.5 | 2700 | 93.0 | 0.22 | 40.5 | 157.0 | 2 |
| EEC0252B3-000U-A99 | ⊕ | 24 | 84 | 2.0 | 2200 | 75.0 | 0.16 | 34.0 | 157.0 | 3 |
| EEC0254B1-000U-A99 | ⊕ | 48 | 119 | 5.7 | 3100 | 108.2 | 0.28 | 44.5 | 157.0 | 1 |
| EEC0254B2-000U-A99 | ⊕ | 48 | 79 | 3.8 | 2700 | 93.0 | 0.22 | 40.5 | 157.0 | 2 |
| EEC0254B3-000U-A99 | ⊕ | 48 | 54 | 2.6 | 2200 | 75.0 | 0.16 | 34.0 | 157.0 | 3 |

Air Flow-Static Pressure Characteristics



External dimensions(mm)



*All model could be customized. Please contact with Sunon Sales.

*Specifications are subject to change without notice. Please Visit SUNON website at www.sunon.com for update information.