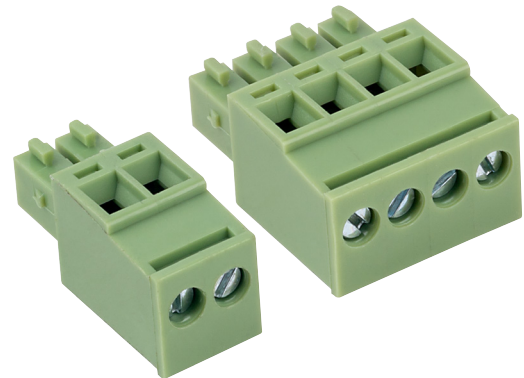


3.5mm Female Pluggable Vertical 8A Terminal Blocks

Specifications

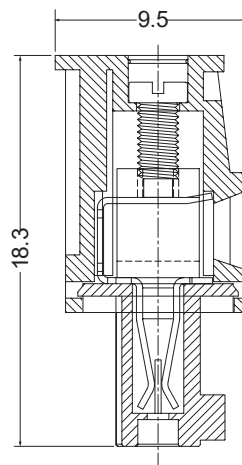
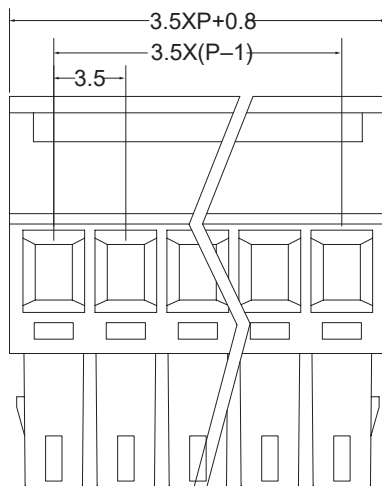
Pitch:	3.5mm
Type:	Pluggable
Poles:	2 to 12
Rated Voltage:	300V
Rated Current:	8A
Operational Temperature:	-40°C to +105°C
Withstand Voltage:	2500V AC for 60s
Insulation Resistance:	500MΩ at 500V DC
Wire Range:	26-16AWG 0.5 to 1.5mm ²
Wire Stripping Length:	6-7mm ± 0.5mm
Screw Size:	M2
Max. Torque Value:	0.2Nm
Wave Soldering:	260°C for 5s
Hand Soldering:	350°C for 10s



Colour and Materials

Housing Colour:	Green
Housing Material:	PA66
Flame Retardancy:	UL94-V0
Screw:	Zinc-plated steel (A3)
Wire Cage:	Nickel-plated brass
Contact:	Phosphor bronze

Order Code	Poles	Order Code	Poles
21-5330	2	21-5382	8
21-5331	3	21-5383	9
21-5332	4	21-5384	10
21-5379	5	21-5385	11
21-5380	6	21-5386	12
21-5381	7		



Measurements are in mm unless stated otherwise.

