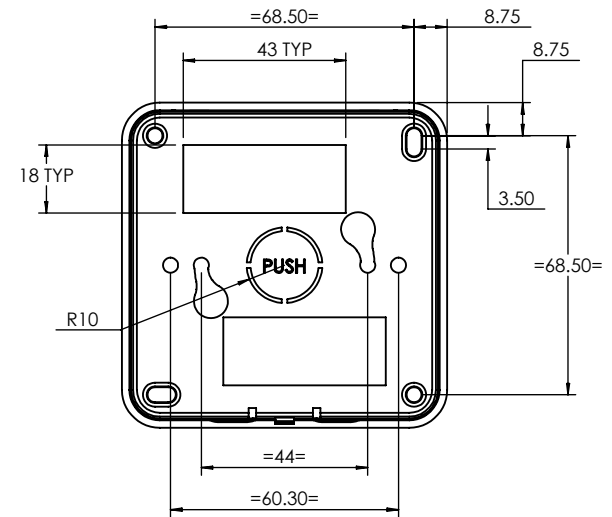
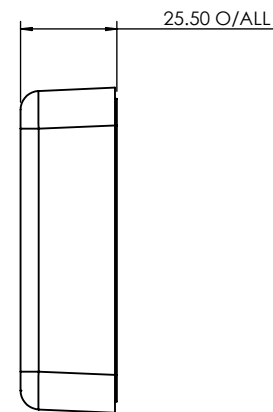
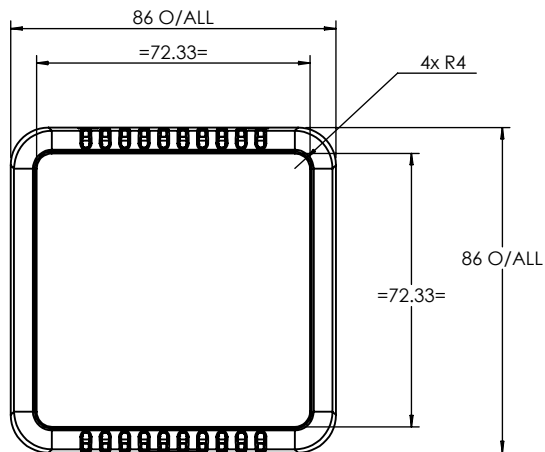
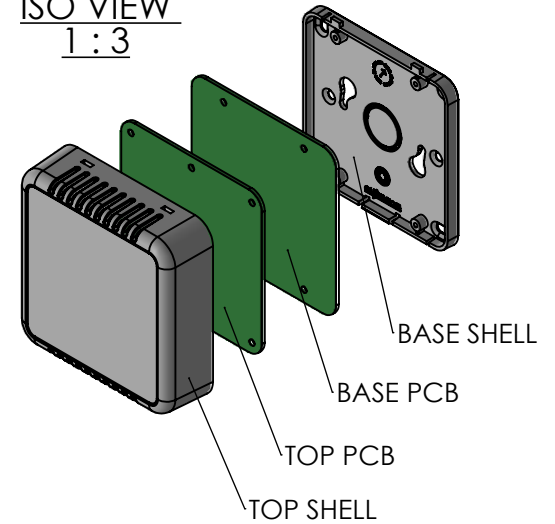


ISO VIEW
1:3



CAMDENBOSS
ELECTRONICS & ENCLOSURES
JAMES CARTER RD, MILDENHALL, SUFFOLK. IP28 7DE
TEL: 01638 716101 FAX: 01638 716554
EMAIL: Sales@CamdenBoss.com
WEB: www.CamdenBoss.com

UNLESS OTHERWISE SPECIFIED:
DIMENSIONS ARE IN MILLIMETERS

GENERAL TOLERANCES +/- 0.2

FINISH. LIGHT SPARK

MATERIAL. ABS UL 94 - V0
RAL: 9003

PROJECTION.

DO NOT SCALE DRAWING

REVISION.

TITLE:

DRAWING FOR VENTED ROOM
SENSOR

DWG NO.

CBR01VWH

A4

	NAME	SIGNED	DATE
DRAWN	IAN PAGANO	I.P.	05/01/14
CHK'D	MATHEW WALLACE	M.J.W.	05/01/14

SCALE: 1:2

SHEET 1 OF 1