

- ◆ TTL Compatible Drive
- ◆ TRIAC Output
- ◆ Control Voltage: 5VDC, 12VDC, 24VDC
- ◆ Load Current: 2A
- ◆ Dielectric Strength: 2500Vrms
- ◆ PCB Mounted
- ◆ RoHS Compliant



Ordering Information

KSA	240	D	2	R	24	T	(XXX)
KSA Series	Load Voltage 240: 240VAC	DC Control	Load Current 2: 2Amp	Switching Mode Blank: Zero Crossing R: Random-on	Control Voltage 5: 5VDC 12: 12VDC 24: 24VDC	Pin Layout Blank: Standard T: T Type Footprint	Customized Code

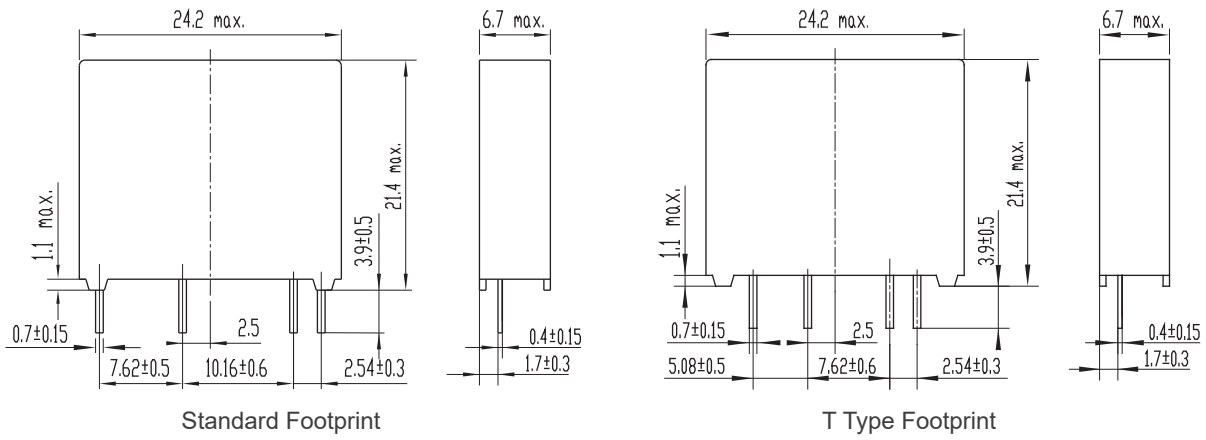
General Specifications

Input Specifications (Ta=25°C)		
Control Voltage Range	5	4-6VDC
	12	9.6-14.4VDC
	24	19.2-28.8VDC
Must Turn-On Voltage	5	4VDC
	12	9.6VDC
	24	19.2VDC
Must Turn-Off Voltage	1VDC	
Maximum Input Current	25mA	
Output Specifications (Ta=25°C)		
Load Voltage	24-280VAC	
Maximum	600Vpk	
Maximum Off-State Leakage Current@Rated Load	1.5mA	
Minimum Off-State dv/dt@Maximum Rated Voltage	200V/μs	
Output Specifications (Ta=25°C)		
Load Current	0.1-2A	
Maximum 1 Cycle Surge Current	35Apk	
Maximum I ² t for Fusing (10ms)	6.1A ² s	
Maximum On-State Voltage Drop@Rated Current	1.5Vrms	
Maximum Turn-On Time	Zero Crossing : 1/2cycle+1ms, Random-on : 1ms	
Maximum Turn-Off Time	1/2cycle+1ms	
Operational Frequency Range	47-63Hz	
Minimum Power Factor (@Maximum load)	0.5	
General Specifications (Ta=25°C)		
Dielectric Strength (50/60Hz)	2500Vrms	
Minimum Insulation Resistance (@500VDC)	1000MΩ	
Ambient Temperature Range	-30°C ~ +80 °C	
Storage Temperature Range	-30°C ~ +100 °C	
Weight (Typical)	6g	

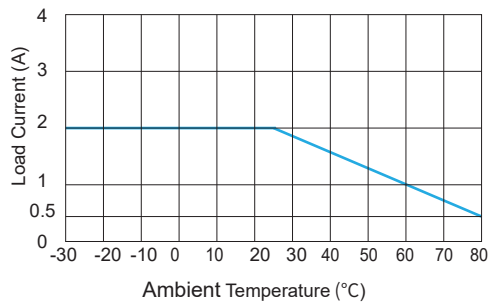
Applications

Suitable for control electromagnetic valve, electric machine, filament lamp, and etc.

Outline Dimensions



Thermal Derating Curve



General Notes

1. Soldering must be finished within 10 seconds at 260°C, or finished within 5 seconds at 350°C. Otherwise it may cause damage to the relay.
2. Terminal polarity must be observed. Otherwise it may cause damage to the relay.
3. When ambient temperature is above 25°C, the maximum load current decreases. See thermal derating curve.

Certification

