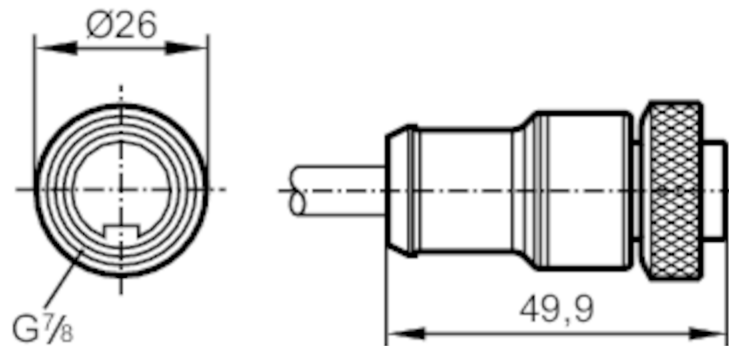


# E20428



## Connecting cable with socket

AD0GB030PLS0002E03



### Electrical data

Operating voltage [V] < 250 AC

### Operating conditions

Ambient temperature [°C] -40...80

Protection IP 68

### Mechanical data

Weight [g] 131.7

Dimensions [mm] 26 x 26 x 49.9

Materials TPU

Material nut diecast zinc, nickel-plated

### Remarks

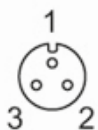
Pack quantity 1 pcs.

### Electrical connection

Cable: 2 m, PVC, black, Ø 5.2 mm; 3 x 0.75 mm<sup>2</sup> (24 x Ø 0.2 mm )

### Electrical connection - socket

Connector: 1 x 7/8", straight; Moulded body: TPU; Locking: diecast zinc, nickel-plated



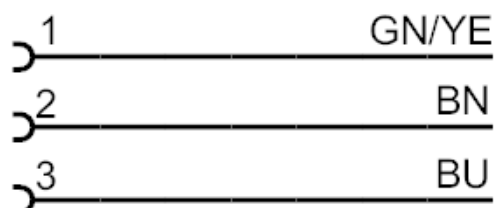
# E20428



## Connecting cable with socket

AD0GB030PLS0002E03

### Connection



Core colours :

BN =

brown

BU =

blue

GN/YE =

green/yellow