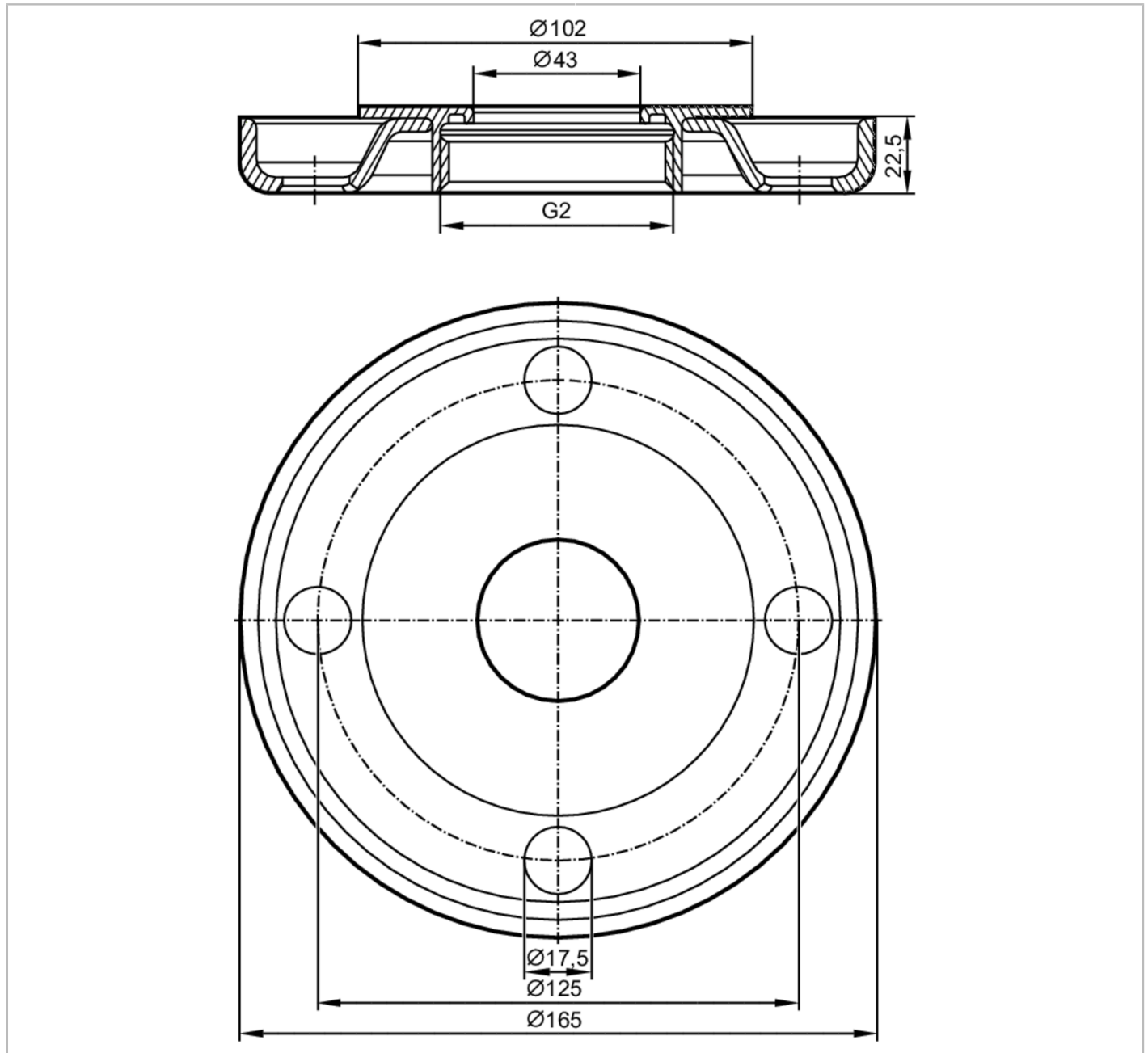


E40240



Mounting adapter for flow sensors

ADAPT G2 FLANGE ADJUSTABLE



ACS

Application	
Installation	Adapter; (SM2 SM9)
Pressure rating [bar]	16
Mechanical data	
Weight [g]	2255.5
Type of mounting	Adapter; (rotatable)
Materials	flange: stainless steel (1.4301 / 304); Adapter: stainless steel (1.4571/316Ti); O-ring: EPDM 47,22 x 3,53 mm
Sensor connection	G 2
Process connection	flange DN50

E40240



Mounting adapter for flow sensors

ADAPT G2 FLANGE ADJUSTABLE

Accessories	
Accessories (supplied)	O-rings: 2
Remarks	
Pack quantity	2 pcs.