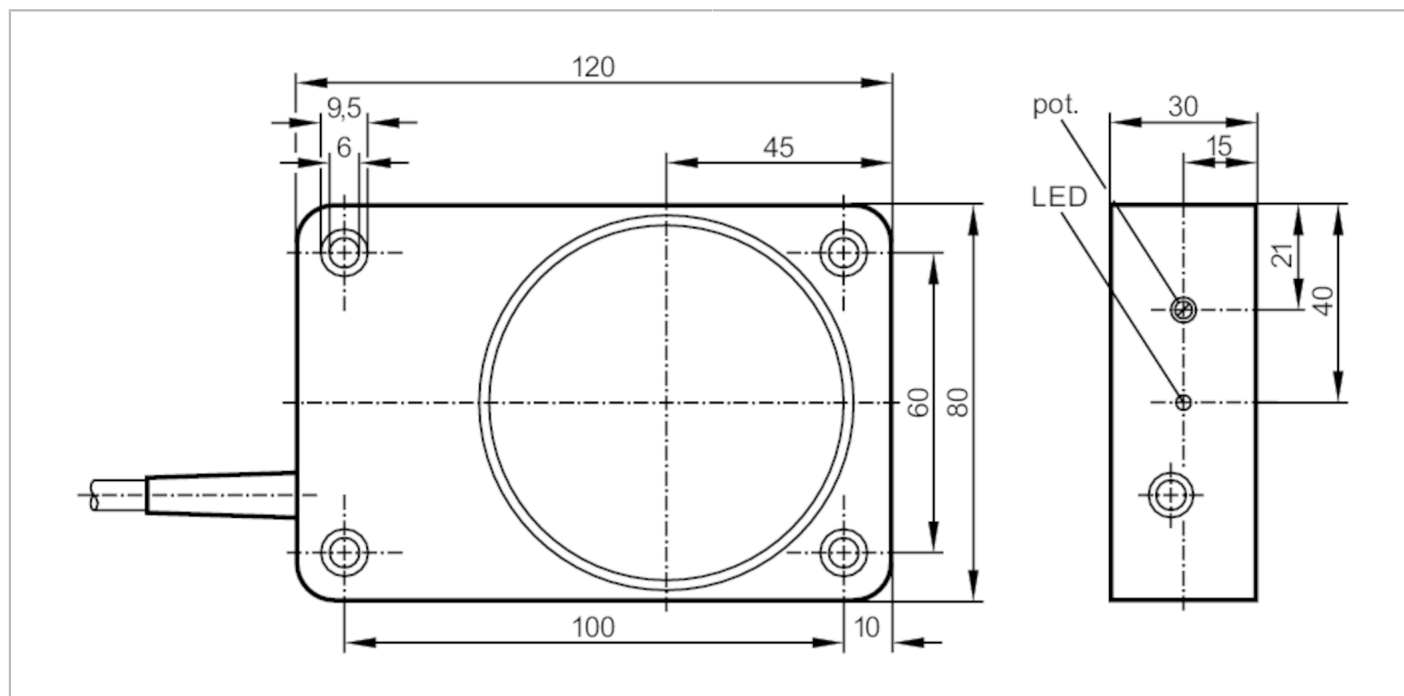


# KD0012



## Capacitive sensor

KD-2060-ABOA/NI



### Product characteristics

Output function		normally open
Sensing range	[mm]	60
Housing		rectangular
Dimensions	[mm]	120 x 80 x 30

### Electrical data

Operating voltage	[V]	20...250 AC/DC
Protection class		II
Reverse polarity protection		no

# KD0012



## Capacitive sensor

KD-2060-ABOA/NI

Outputs		
Output function		normally open
Max. voltage drop switching output DC [V]		8
Max. voltage drop switching output AC [V]		10
Minimum load current [mA]		5
Max. leakage current [mA]		2.5 (250 V AC) / 1.7 (110 V AC) / 1.3 (24 V DC)
Permanent current rating of switching output AC [mA]		200; (250 (...50 °C))
Permanent current rating of switching output DC [mA]		200; (250 (...50 °C))
Short-time current rating of switching output [mA]		1500; (20 ms / 0,5 Hz)
Switching frequency AC [Hz]		10
Switching frequency DC [Hz]		10
Short-circuit proof		no
Overload protection		no
Detection zone		
Sensing range [mm]		60
Real sensing range Sr [mm]		60 ± 10 %
Operating distance [mm]		0...48.6
Accuracy / deviations		
Correction factor		glass: 0.4 / water: 1 / ceramics: 0.2 / PVC: 0.2
Hysteresis [% of Sr]		1...15
Switch point drift [% of Sr]		-15...15
Operating conditions		
Ambient temperature [°C]		-25...80
Protection		IP 65
Tests / approvals		
EMC		EN 60947-5-2
MTTF [years]		281
Mechanical data		
Weight [g]		401
Housing		rectangular
Mounting		non-flush mountable
Dimensions [mm]		120 x 80 x 30
Materials		PPE modified
Displays / operating elements		
Display	switching status	1 x LED, yellow
Electrical connection		
Required protection		miniature fuse to IEC60127-2 sheet 1; ≤ 2 A; fast acting

# KD0012



## Capacitive sensor

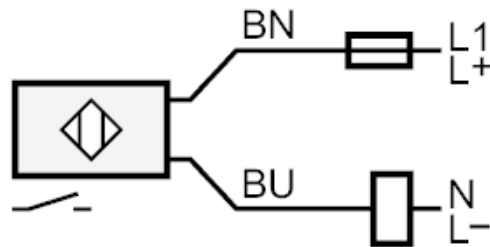
KD-2060-ABOA/NI

Accessories	
Accessories (supplied)	screwdriver: 1
	spring washers: 4
	cylinder screws: 4
Remarks	
Remarks	Recommendation: Check the safe functioning of the unit after a short circuit.
Pack quantity	1 pcs.

### Electrical connection

Cable: 2 m, PVC; 2 x 0.5 mm<sup>2</sup>

### Connection



Note miniature fuse to IEC60127-2 sheet 1  $\leq$  2 A fast acting

Core colours :

BN = brown  
BU = blue