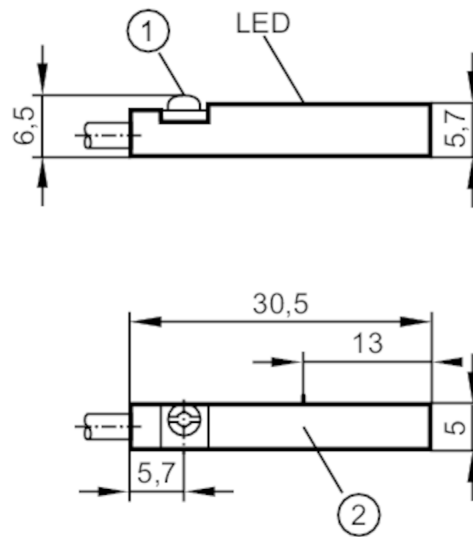


MR0130



T-slot cylinder sensor with reed contact

MRT3038BBKOA/R/6M/ZH



- 1 fastening clamp with combined slot / hexagon socket head
hexagonal socket AF 1.5
- 2 Sensing face



Product characteristics

Electrical design	PNP
Output function	normally open
Dimensions [mm]	30.5 x 5 x 6.5

Electrical data

Operating voltage [V]	5...50 AC/DC; (External protective circuit for inductive load (valve, contactor, etc.) necessary.)
Protection class	III
Reverse polarity protection	no

Outputs

Electrical design	PNP
Output function	normally open
Max. voltage drop switching output DC [V]	1
Max. voltage drop switching output AC [V]	1
Permanent current rating of switching output AC [mA]	350
Permanent current rating of switching output DC [mA]	500
Switching frequency AC [Hz]	1000
Switching frequency DC [Hz]	1000
Max. switching power [W]	10
Short-circuit proof	no
Overload protection	no

MR0130



T-slot cylinder sensor with reed contact

MRT3038BBKOA/R/6M/ZH

Detection zone		
Response sensitivity	[mT]	3.8
Travel speed	[m/s]	10
Accuracy / deviations		
Hysteresis	[mm]	1
Repeatability	[mm]	< 0.2
Response times		
Max. fall time	[ms]	0.1
Max. make time incl. bounce	[ms]	0.6
Operating conditions		
Ambient temperature	[°C]	-25...70
Protection		IP 65; IP 67
Tests / approvals		
EMC	EN 61000-4-2 ESD	- CD / 8 kV AD
	EN 61000-4-3 HF radiated	10 V/m
	EN 61000-4-4 Burst	2 kV
	EN 61000-4-6 HF conducted	10 V
	EN 55011	class B
UL approval	UL Approval no.	C004
Mechanical data		
Weight	[g]	71.5
Mounting		flush mountable
Cylinder type		T-slot cylinders
Dimensions	[mm]	30.5 x 5 x 6.5
Materials		PA; fastening clamp: stainless steel
Switching cycles when connected to PLC	[Mio]	40
Displays / operating elements		
Display	switching status	1 x LED, yellow
Electrical connection		
Required protection	miniature fuse to IEC60127-2 sheet 1; ≤ 0,75 A; fast acting; DC operation; ≤ 0,6 A; fast acting; AC operation	
Accessories		
Accessories (supplied)	rubber placeholder: 1 Cable clip: 1	
Remarks		
Pack quantity	1 pcs.	

MR0130



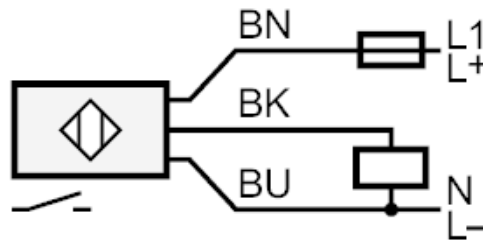
T-slot cylinder sensor with reed contact

MRT3038BBKOA/R/6M/ZH

Electrical connection

Cable: 6 m, PUR; 3 x 0.14 mm²

Connection



Note miniature fuse to IEC60127-2 sheet 1

≤ 0.75 A fast acting DC operation

≤ 0.6 A fast acting AC operation

Core colours :

BK =	black
BN =	brown
BU =	blue