

## M12 male 0° / M12 male 0° shielded Y-cod. hybrid

PUR 4xAWG20+1x4xAWG26 shielded gn UL/CSA 7,5m

Ethernet CAT 5

Male straight to male straight

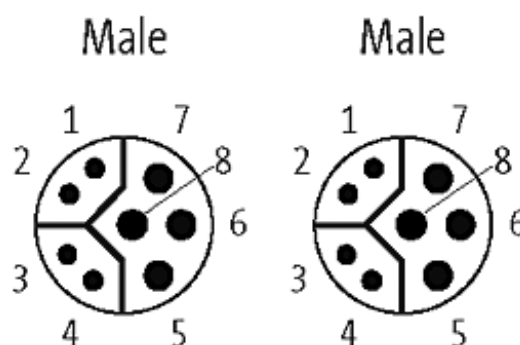
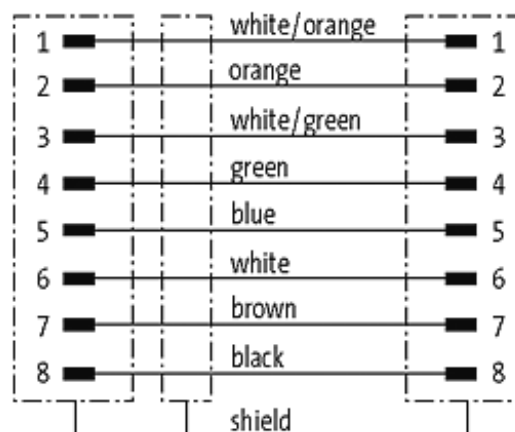
M12 - M12

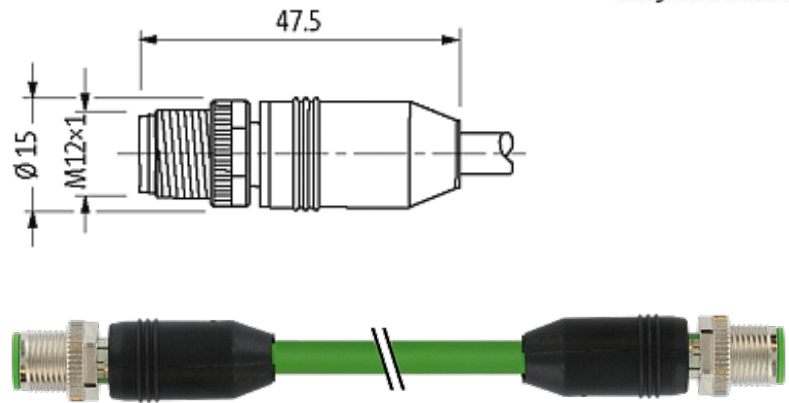
8-pole, shielded

Further cable lengths on request. Plastic housings with good resistance against chemicals and oils. The resistance to aggressive media should be individually tested for your application. Further details on request.

### [Link to Product](#)

#### Illustration





Product may differ from Image

### More Info



### Form

47001

### Technical Data

Operating voltage	30 V DC
Operating current per contact	0.5 A (Data), 6 A (Power)
Locking of ports	Screw thread M12 × 1 mm (recommended torque 0.6 Nm) self-securing
Protection	IP67 inserted and tightened (EN 60529)

### Cables

Cable number	831
No./diameter of wires	4×0.6 mm <sup>2</sup> + 1×(4×0.15 mm <sup>2</sup> )
Wire isolation	PP (whor, or, whgn, gn, bk, br, wh, bl)
C-track properties	5 Mio.
Torsion	2 Mio. ± 30°/m
Jacket Color	green
Shore hardness outer jacket	90 ± 5A
Material (jacket)	PUR (UL/CSA)
Outer diameter	approx. 8.1 mm
Bend radius (fixed)	5 × outer Ø
Bend radius (moving)	10 × outer Ø
Temperature range (fixed)	-50...+80 °C
Temperature range (mobile)	-40...+80 °C
Shielded	yes

### General data

Temperature range	-25...+85 °C, depending on cable quality
-------------------	--

**Commercial data**

country of origin	DE
customs tariff number	85444290
minimum order quantity	1