



**Model number**

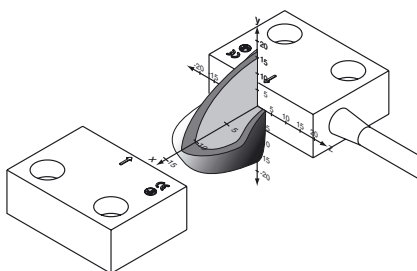
**VAA-2E-IER2-S-1M-V1**

Reed safety switch for non-contact AS-Interface safety switches

**Features**

- Small plastic housing
- Encapsulated electronics
- Especially suited to small doors and coverings
- Multiple-flush magnet system
- Cable with M12 plug

**Operating distance**

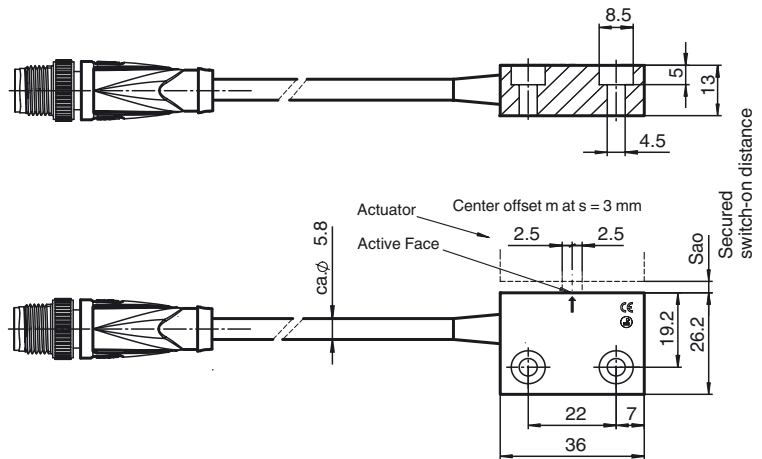


**Accessories**

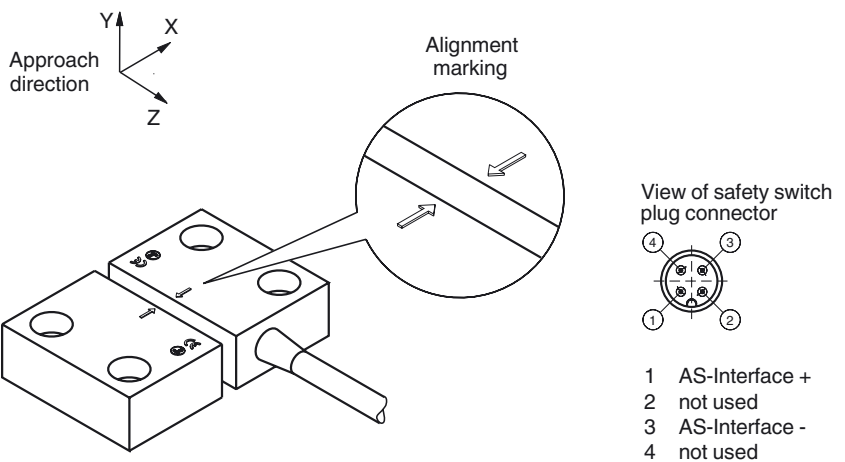
**VAZ-T1-FK-V1**

Splitter box AS-Interface to 1x M12 round connector

**Dimensions**



**Indicating / Operating means**



**Technical data**

**General specifications**

Detection type		magnetic
assured start-up distance	$s_{a0}$	7 mm
assured deactivation distance	$s_{ar}$	$\leq 40$ mm
Center offset	$m$	$\pm 2.5$ mm at distance $s = 3$ mm
Slave type		Safety-Slave
AS-Interface specification		V2.1
Required master specification		$\geq V2.0$
Response delay		$< 5$ ms
UL File Number		E155795

**Functional safety related parameters**

Safety Integrity Level (SIL)		SIL 3
Performance level (PL)		PL e
Mission Time ( $T_M$ )		20 a
$PFH_d$		4.29 E-8

**Electrical specifications**

Rated operating voltage	$U_e$	26.5 ... 31.6 V from AS-Interface
Rated operating current	$I_e$	$\leq 30$ mA
Power supply		via AS-Interface network

**Programming instructions**

Profile		S-0.B
IO code		0
ID code		B
ID1 code		F
ID2 code		E

**Data bits (function via AS-Interface)**

<b>Input</b>		
D0		dyn. safety code 1
D1		dyn. safety code 1
D2		dyn. safety code 2

Release date: 2011-09-08 08:55 Date of issue: 2014-01-13 211352\_eng.xml

D3	dyn. safety code 2
<b>Parameter bits</b> (programmable via AS-i)	
P0	IN1
P1	IN2
P2	IN3
P3	IN4
<b>Ambient conditions</b>	
Ambient temperature	-20 ... 60 °C (-4 ... 140 °F)
Shock and impact resistance	30 g/11 ms
<b>Mechanical specifications</b>	
Protection degree	IP67
Connection	with fixed cable and M12 connector, 4-pin
<b>Material</b>	
Housing	PPS
Cable	PUR
Installation	any position
Cable length	1 m
Life span	100 x 10 <sup>6</sup> switching cycles
<b>Compliance with standards and directives</b>	
<b>Directive conformity</b>	
Machinery Directive 2006/42/EC	EN ISO 12100-1, -2:2003 EN 1088:1995+A2:2008
EMC Directive 2004/108/EC	IEC 60947-5-3:1999
<b>Standard conformity</b>	
AS-Interface	EN 50295:1999
Functional safety	ISO 13849-1:2008 (up to category 3/PL e) EN ISO 12100-1, -2:2003 EN 1088:1995+A2:2008
Protection degree	EN 60529:2000

**Matching system components**

**VAZ-IER2-ACTUATOR2-S**  
Actuator for non-contact AS-Interface  
Reed safety switch

Release date: 2011-09-08 08:55 Date of issue: 2014-01-13 211352\_eng.xml