

Circular Plastic Connectors, Series 3

CPC Connectors, Series 3



Listed part numbers are for connectors only; **contacts must be ordered separately.**

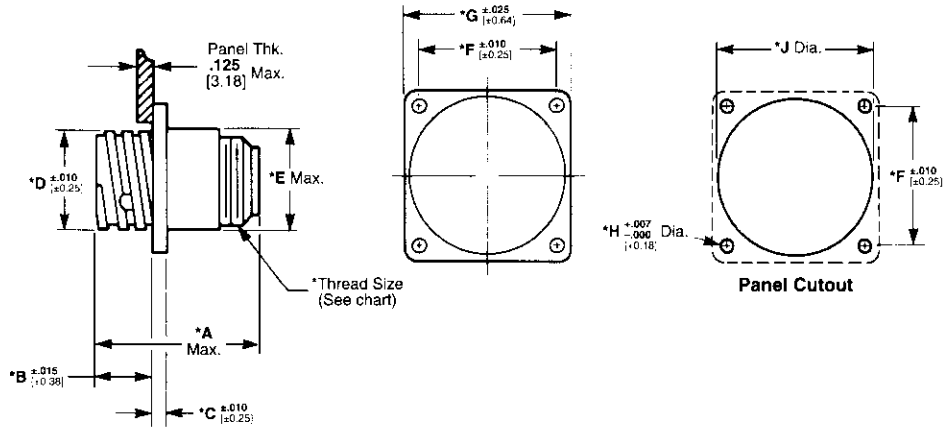
Material

Housing—Thermoplastic, 94V-0 rated, black

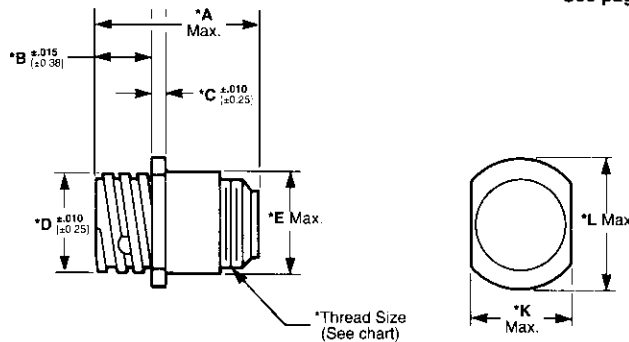
Related Product Data

- Contacts**—Page 33-34
- Contact Arrangement**—Page 34
- Component Dimensions**—Page 35*
- Accessories**—Pages 37-41
- Performance Characteristics**—Page 6
- Application Tooling**—Pages 75-78
- Technical Documents**—Page 79

Square Flange Receptacle

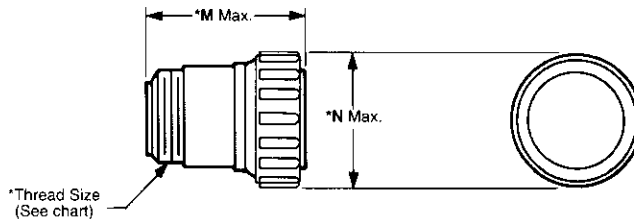


Free-Hanging Receptacle



***Note:**
See page 35 for Callout Dimensions

Plug



Standard Sex Connectors

(Receptacles accept Type XII Male/pin contacts, Plugs accept Type XII Female/socket contacts)

| Arrangement | Square Flange Receptacle | | Free-Hanging Receptacle | Plug |
|-------------|--------------------------|------------------------------------|-------------------------|----------|
| | With Mounting Holes | With Threaded Inserts ¹ | | |
| 17-3 | 206036-2 | 213581-1 | 206207-1 | 206037-2 |
| 23-7 | 206137-1 | 206137-5 | 206137-2 | 206136-1 |

¹Four 4-40 threaded inserts per receptacle.

Reverse Sex Connectors

(Receptacles accept Type XII Female/socket contacts, Plugs accepts Type XII Male/pin contacts)

| Arrangement | Square Flange Receptacle | | Free-Hanging Receptacle | Plug |
|-------------|--------------------------|------------------------------------|-------------------------|----------|
| | With Mounting Holes | With Threaded Inserts ¹ | | |
| 17-3 | 206425-1 | 206425-5 | 206425-2 | 206426-1 |
| 23-7 | 206227-1 | 206227-6 | 206227-2 | 206226-1 |

¹Four 4-40 threaded inserts per receptacle.

Note: Maximum wire insulation diameter is .220 [5.59].

Replacement Coupling Rings

| Shell Size | Part No. |
|------------|----------|
| 17 | 213810-1 |
| 23 | 213812-1 |