



# Automotive signal Common Mode Chokes

ACMS-Q3225

Request Samples



Check Inventory



3.2 x 2.5 x 2.5 mm  
RoHS/RoHS II Compliant  
MSL Level = 1

## Features

- AEC-Q200 compliant
- PPAP ready and supported
- Manufactured in TS/IATF 16949 production lines
- Excellent impedance characteristics
- Inductance values from 11  $\mu$ H to 100  $\mu$ H

## Applications

- Differential signal line common mode noise suppression.
- Multimedia devices
- Automotive applications such as ADAS, Infotainment, Sensing, TCU

## Electrical Specifications

Part Number	Impedance ( $\Omega$ ) @10MHz		Inductance ( $\mu$ H) (+50/-30%)	DCR (m $\Omega$ )	Rated Current (A)	Rated Voltage (Vdc)	Insulation Resistance (M $\Omega$ )
	Min	Typ.		Max	Max	Max	Min
ACMS-Q3225-110	300	550	11	400	0.3	80	10
ACMS-Q3225-220	500	1100	22	500	0.25	80	10
ACMS-Q3225-510	1000	2600	51	700	0.2	80	10
ACMS-Q3225-101	2200	5100	100	1500	0.15	80	10

**Rated Current is based on an Irms temperature rise of 40°C**

**Inductance Test Conditions: 0.1V/100KHz**

**ACMS-Q3225 is AEC-Q200 Automotive certified**

**ACMS-Q3225 Series is RoHS Compliant and Pb free**

**Operating Temperature: -55°C to +150°C (Including self-heating)**

**Storage Temperature (on PCB): -55°C to +150°C**

**Storage (in original packaging): <40°C, <60% RH**



5101 Hidden Creek Ln, Spicewood TX 78669  
Phone: 512-371-6159 Fax: 512-351-8858  
For terms and conditions of sales, please visit:  
www.abracon.com

**REVISION Initial Release**  
3/31/2022

ABRACON IS  
ISO9001-2015  
CERTIFIED



# Automotive signal Common Mode Chokes

**ACMS-Q3225**

Request Samples

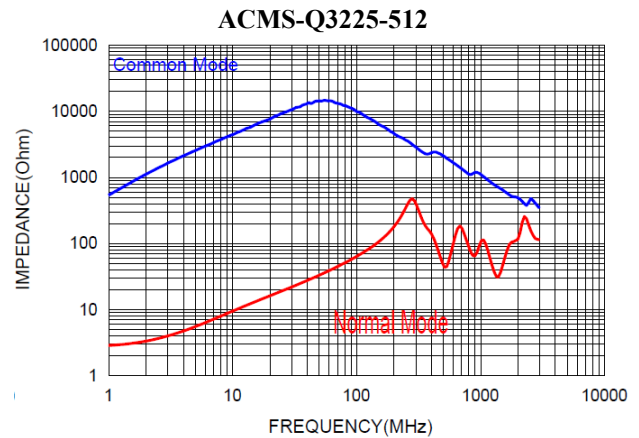
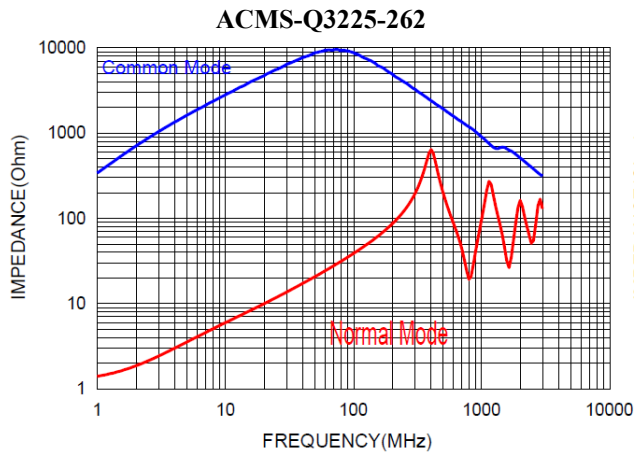
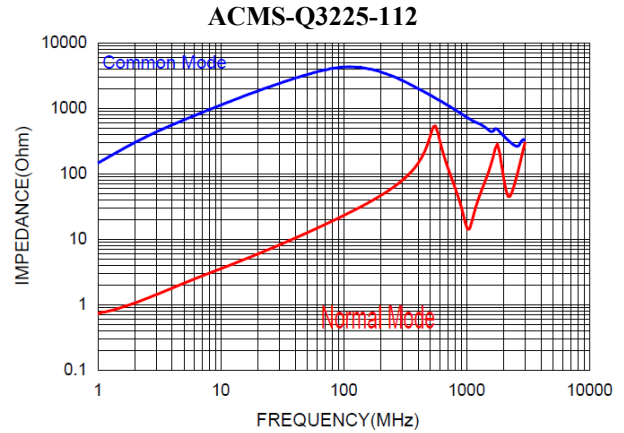
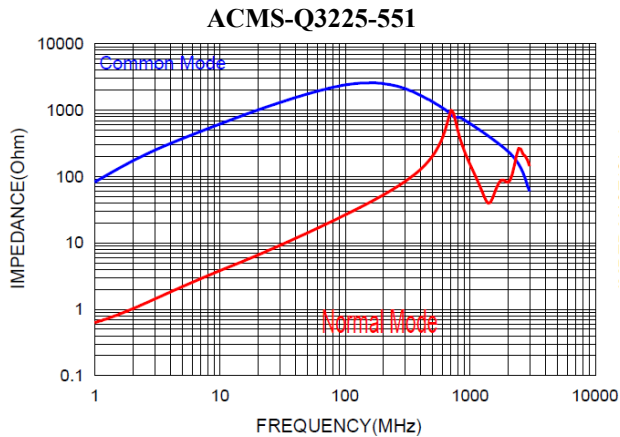


Check Inventory



3.2 x 2.5 x 2.5 mm  
RoHS/RoHS II Compliant  
MSL Level = 1

## Electrical Specifications



5101 Hidden Creek Ln, Spicewood TX 78669  
Phone: 512-371-6159 Fax: 512-351-8858  
For terms and conditions of sales, please visit:  
[www.abracon.com](http://www.abracon.com)

**REVISION Initial Release**  
3/31/2022

ABRACON IS  
ISO9001-2015  
CERTIFIED



# Automotive signal Common Mode Chokes

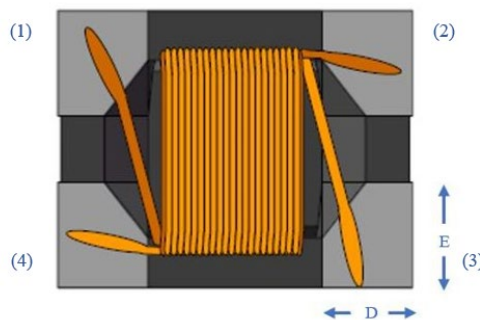
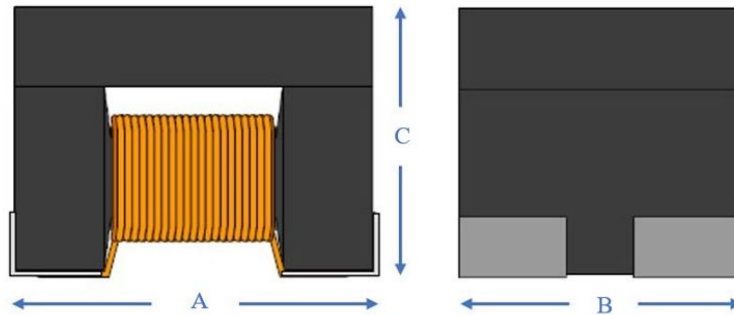
ACMS-Q3225

Request Samples

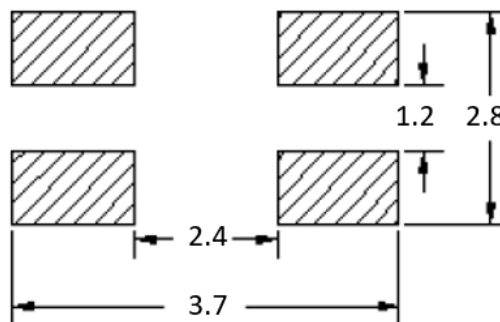
Check Inventory

3.2 x 2.5 x 2.5 mm  
**RoHS/RoHS II Compliant**  
 MSL Level = 1

## Mechanical Specifications



A	B	C	D	E
3.20 ±0.3	2.5 ±0.2	2.5 Max	0.55 ±0.15	0.75 ±0.2



## Recommended Layout

Dimensions: mm



# Automotive signal Common Mode Chokes

**ACMS-Q3225**

Request Samples

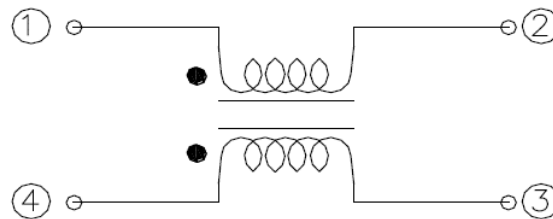


Check Inventory

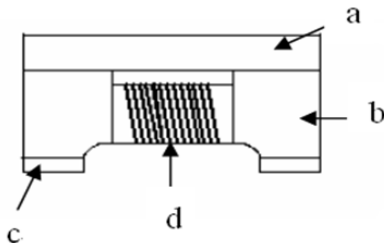


3.2 x 2.5 x 2.5 mm  
**RoHS/RoHS II Compliant**  
 MSL Level = 1

## Schematic

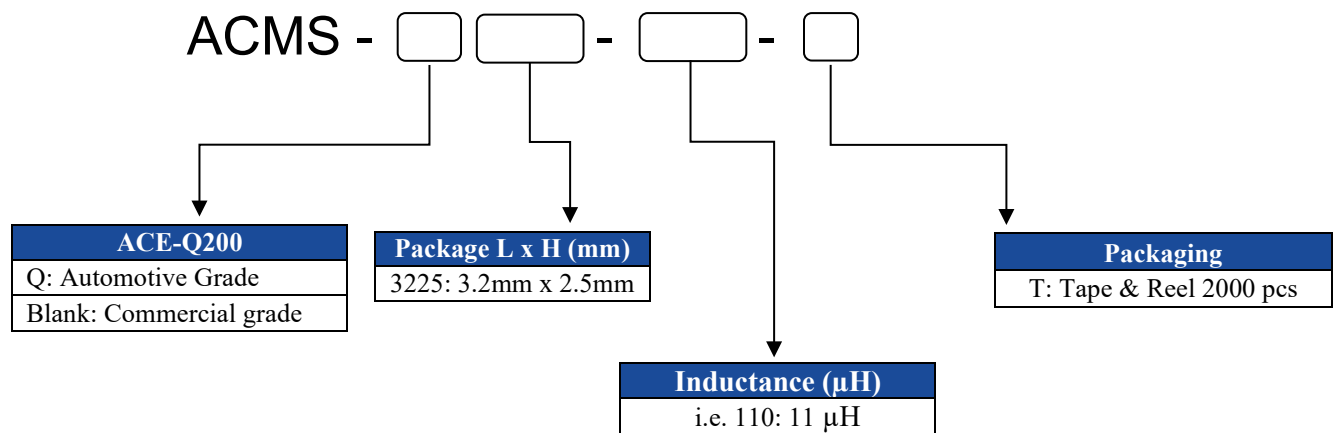


## Materials



	Description	Specification
a	Upper Plate	Ferrite
b	Core	Ferrite Core
c	Electrode	Ag/Ni/Sn
d	Wire	Enameled Copper Wire

## Part Identification





# Automotive signal Common Mode Chokes

ACMS-Q3225

Request Samples

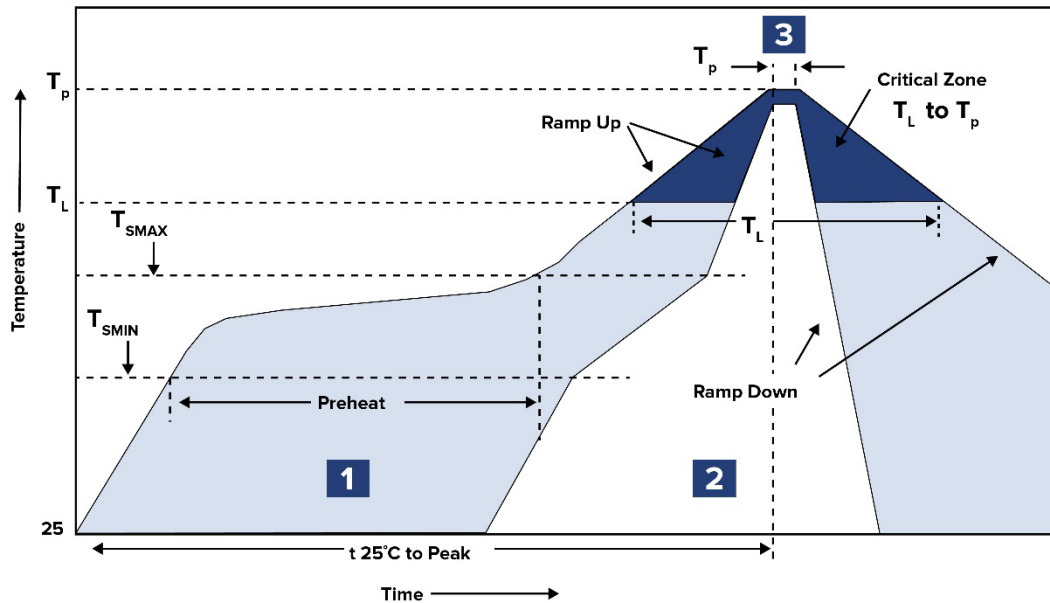


Check Inventory



3.2 x 2.5 x 2.5 mm  
 RoHS/RoHS II Compliant  
 MSL Level = 1

## Reflow Profile



Zone	Description	Temperature	Times
1	Preheat	$T_{SMIN} \sim T_{SMAX}$ 150°C ~ 200°C	60 ~ 120 sec.
2	Reflow	$T_L$ 217°C	60 ~ 150 sec.
3	Peak heat	$T_p$ 250°C ± 5°C	30 sec. MAX



# Automotive signal Common Mode Chokes

**ACMS-Q3225**

Request Samples



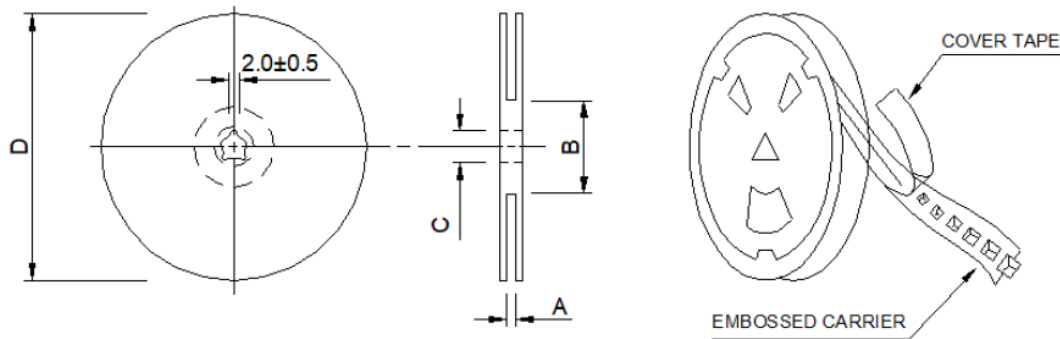
Check Inventory



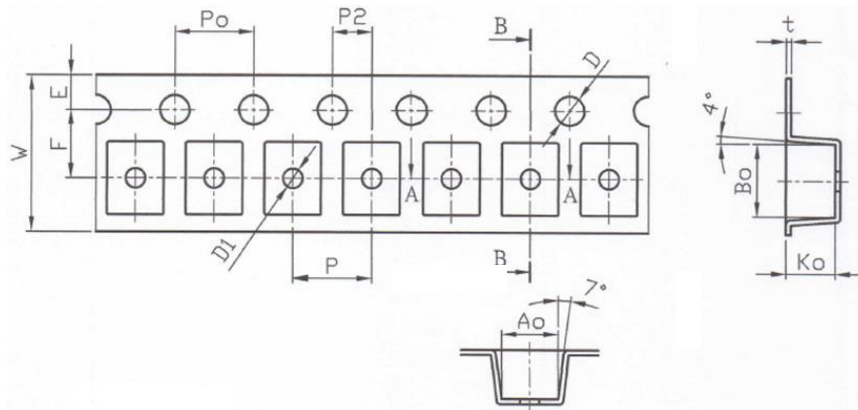
3.2 x 2.5 x 2.5 mm  
**RoHS/RoHS II Compliant**  
 MSL Level = 1

## Packaging

**Tape & Reel: 2000pcs/reel**



Series	A	B	C	D
ACMS-Q3225	9.0 ± 0.5	60.0 ± 2.0	13.5 ± 0.5	178 ± 2.0



W	P	E	F	P0	P2	B0	Ao	Ko	D	D1	t
8.0 ±0.10	4.0 ±0.10	1.75 ±0.10	3.5 ±0.10	4.0 ±0.10	2.0 ±0.10	3.72 ±0.10	2.88 ±0.10	2.5 ±0.10	1.5 +0.10/-0	1.00 ±0.10	0.26 ±0.05

Dimensions: mm

**ATTENTION:** Abracon LLC's products are COTS – Commercial-Off-The-Shelf products; suitable for Commercial, Industrial and, where designated, Automotive Applications. Abracon's products are not specifically designed for Military, Aviation, Aerospace, Life-dependent Medical applications or any application requiring high reliability where component failure could result in loss of life and/or property. For applications requiring high reliability and/or presenting an extreme operating environment, written consent and authorization from Abracon LLC is required. Please contact Abracon LLC for more information.



5101 Hidden Creek Ln, Spicewood TX 78669  
 Phone: 512-371-6159 Fax: 512-351-8858  
 For terms and conditions of sales, please visit:  
[www.abracon.com](http://www.abracon.com)

**REVISION Initial Release**  
 3/31/2022

ABRACON IS  
 ISO9001-2015  
 CERTIFIED