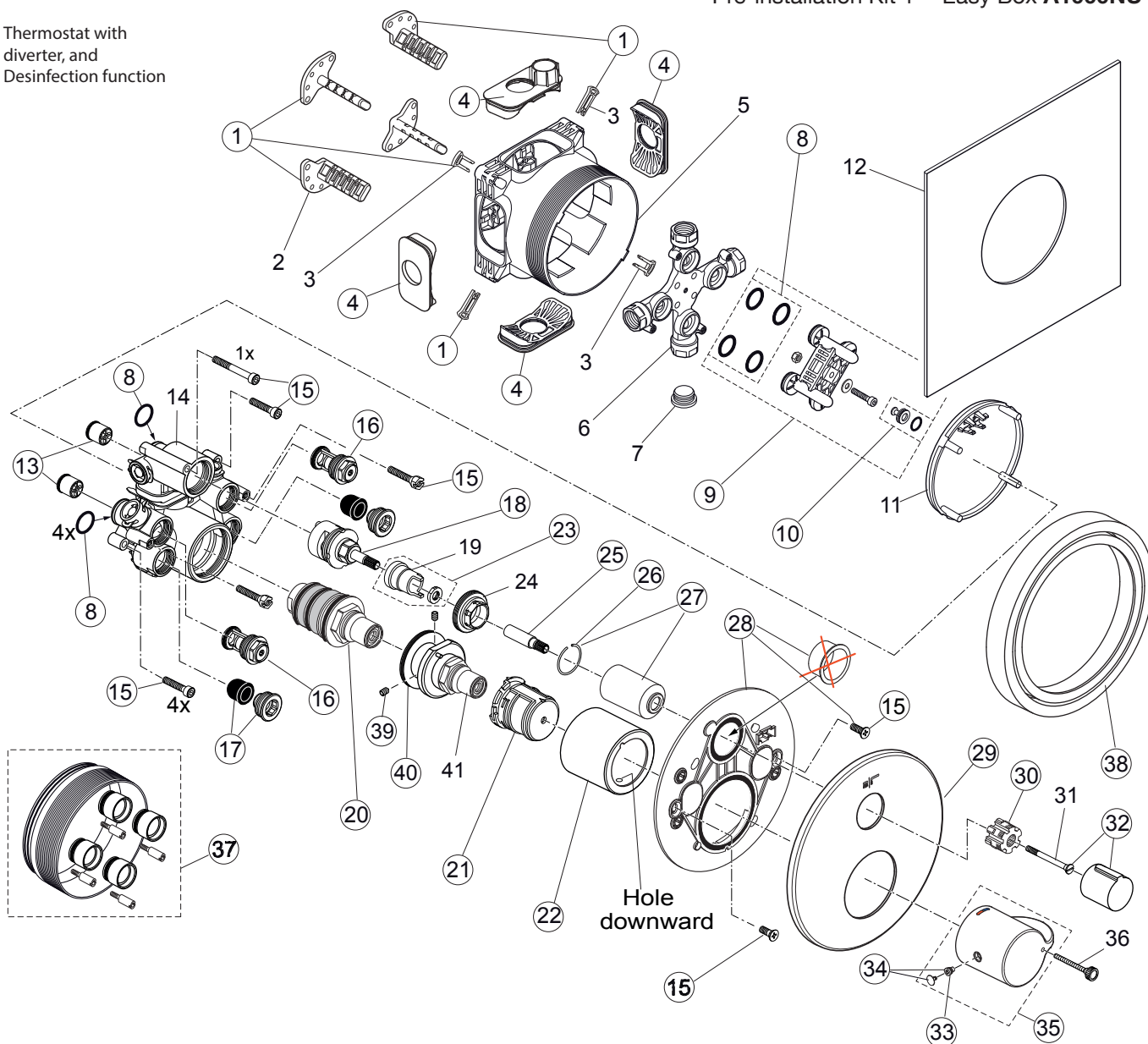


Produced from: March 2017

Pre-installation Kit 1 - Easy Box A1000NU

Thermostat with diverter, and Desinfection function



Body and Designparts Kit 2 - A6869AA

Pos.	Description	Part-Number	Qty.	Pos.	Description	Part-Number	Qty.
1	Install. depth adjust. + pos.3	A 963 131 NU	1 Set	23	Clamp cover with washer	A 962 481 NU	1 Set
2	Depth adjustment device			24	Clamping nut M36 x 1		
3	Adjustment lock (contained in pos. 1)			25	Extension / handle adapt.	A 960 899 NU	1 pcs
4	Side sealing	A 963 132 NU	1 Set	26	Snap ring	A 962 368 NU	1 pcs
5	Built-in box			27	Cover / Cap for Diverter	A 860 906 AA	1 Set
6	Multi-way body			28	Escutcheon holder cpl.	A 860 897 NU	1 Set
7	Plug G1/2			29	Escutcheon B/S plane	A 861 208 AA	1 pcs
8	O-ring Ø 17 x 2,5	A 963 143 NU	1 Set	30	Handle adapter	A 961 659 NU	1 pcs
9	Flushing device cpl.	A 963 146 NU	1 Set	31	Screw for handle fixation		
10	Plug with o-ring Ø 12x1,5	A 963 147 NU	1 pcs	32	Volume control handle	A 962 388 AA	1 pcs
11	Cover for built-in box			33	Spigot screw M5x5	A 961 095 NU	1 pcs
12	Sealing fleece			34	Cap + Screw	A 962 149 AA	1 Set
13	Non-return valve DW15	A 962 594 NU	2 pcs	35	Handle for Temp. cpl.	A 861 195 AA	1 Set
14	Body Thermostat			36	Knurled head screw M3x30 (contained in Pos.35)		
15	Screw set complete	A 960 890 NU*	1 Set	37	Extension kit 20mm	A 960 704 NU	1 Set
16	Stop valve	A 860 904 NU	2 pcs		Extension kit 40mm	A 962 476 NU	1 Set
17	Low noise insert	A 960 891 NU	1 pcs	38	Distanzframe 20mm	A 6677 AA	1 Set
18	Stop valve + diverter	A 962 480 NU	1 pcs	39	Thread pin M5x8 DIN914	B 964 695 NU	1 pcs
19	Clamp cover			40	O-ring Ø 45 x 2	A 961 743 NU	1 Set
20	Cartridge thermostat G3/4	A 963 564 NU	1 Set	41	Extension with stop		
21	Temp. adjustment cpl.	A 961 889 NU	1 Set				
22	Cover / Cap for Temp.	A 962 391 AA	1 pcs				

*Universal set (not all parts needed)