

Customer Information Sheet

IF IN DOUBT - ASK

©

NOT TO SCALE

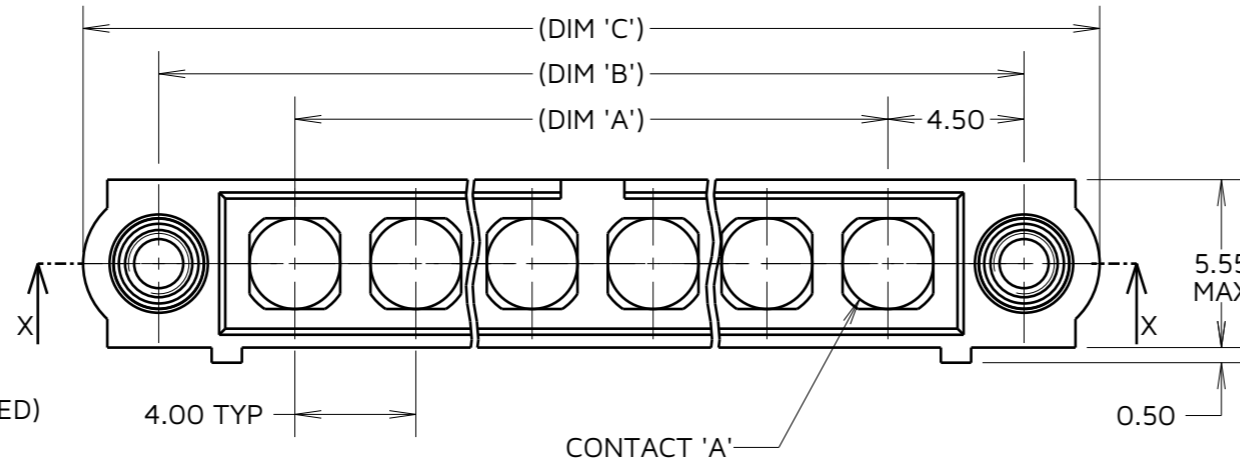
THIRD ANGLE PROJECTION

ALL DIMENSIONS IN mm

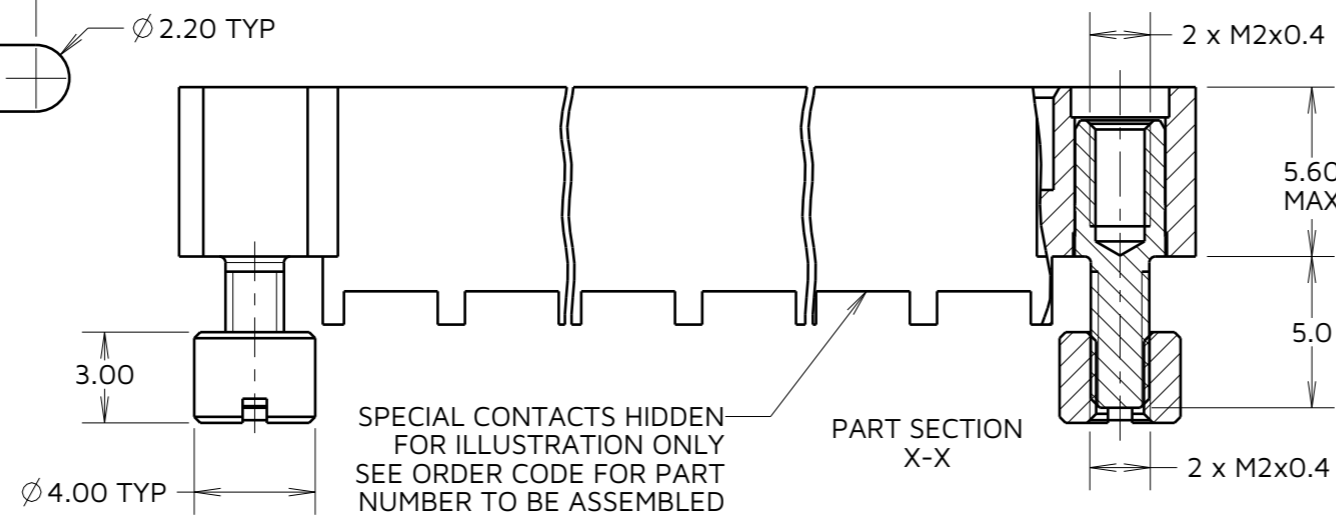
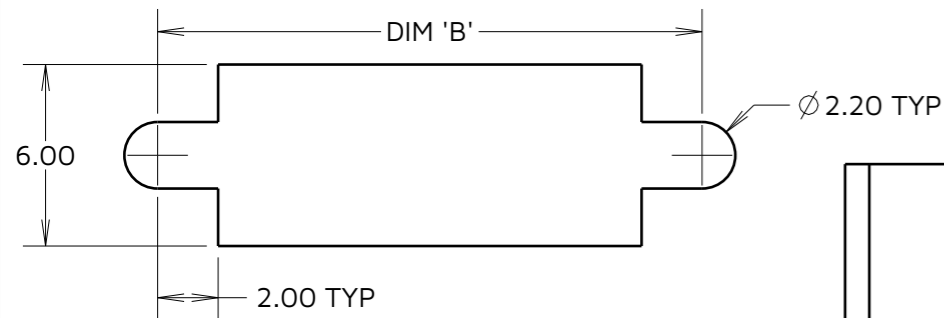
SPECIFICATIONS:

MATERIAL:
 MOULDING: GLASS FILLED PPS, UL94V-0, BLACK
COAX CONTACT:
 BODY, SLEEVE, INNER CONTACT, END PLUG = COPPER ALLOY
 LATCHING COLLAR = BERYLLIUM COPPER
 INSULATOR = PTFE
 JACKSCREW, NUT = STAINLESS STEEL
FINISH:
 COAX CONTACT
 BODY, SLEEVE, INNER CONTACT, END PLUG = GOLD
 LATCHING COLLAR = NICKEL
 FOR COMPLETE SPECIFICATION SEE COMPONENT SPECIFICATION CO05XX (LATEST ISSUE)

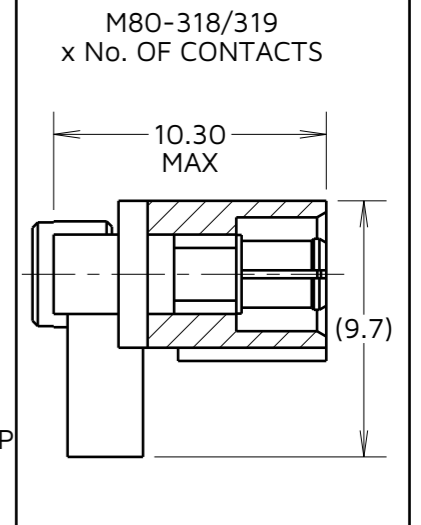
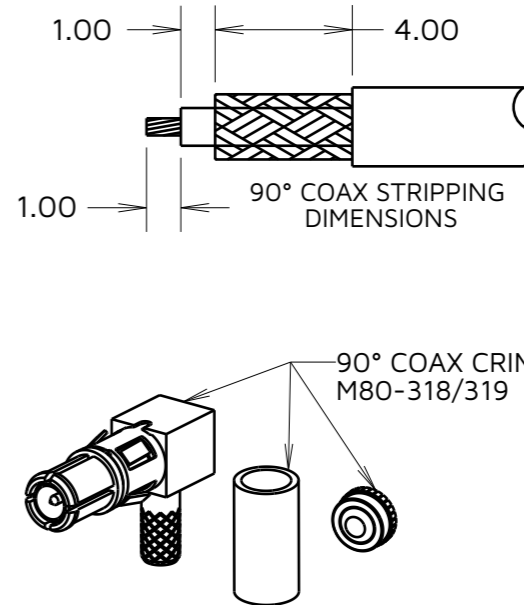
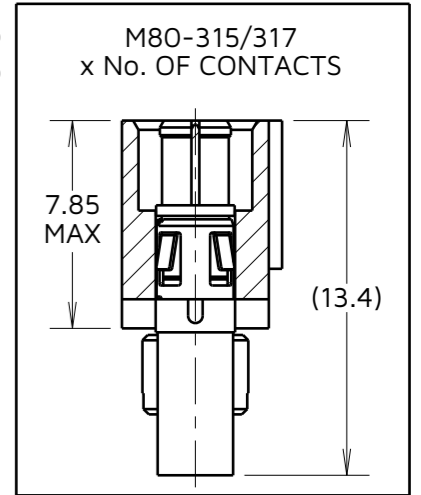
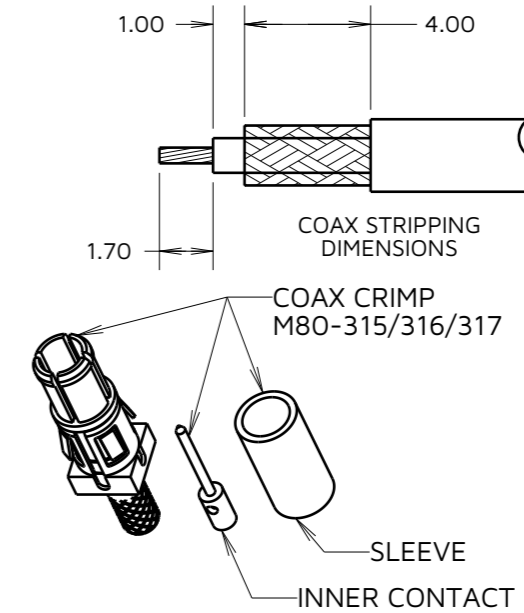
COAX CRIMP AND SOLDER CONTACTS ONLY



RECOMMENDED PCB CUT OUT
 ALL TOLERANCES ±0.05mm (UNLESS OTHERWISE STATED)



SPECIAL CONTACTS HIDDEN FOR ILLUSTRATION ONLY
 SEE ORDER CODE FOR PART NUMBER TO BE ASSEMBLED



ORDER CODE: (COAX CRIMP/SOLDER CONTACTS)
M80-5000000M3-XX-XXX-00-000

TOTAL No. OF CONTACTS
 02 TO 12

SPECIAL CONTACTS (CRIMP)

- 315 = COAX CONTACT 2.0mm CRIMP M80-315
- 317 = COAX CONTACT 2.7mm CRIMP M80-317
- 318 = COAX CONTACT 2.0mm HORZ' CRIMP M80-318
- 319 = COAX CONTACT 2.7mm HORZ' CRIMP M80-319

NOTES:

1. CONNECTORS ARE SUPPLIED WITH CONTACTS AND NUTS LOOSE.
2. COAX CONTACT IS SUPPLIED AS A KIT OF PARTS: BODY, MAIN INSULATOR, INNER CONTACT AND LATCHING COLLAR ARE PRE-ASSEMBLED AND SLEEVE AND INSULATED END PLUG ASSEMBLY ARE SEPARATE.
3. FOR EXTRA COAX CONTACTS, USE PART NUMBERS M80-315/317/318/319.
4. CONTACT EXTRACTION TOOL = Z80-290.
5. RECOMMENDED HAND CRIMP TOOL FOR INNER COAX CONTACT = Z80-292 WITH POSITIONER Z80-291. RECOMMENDED HAND CRIMP TOOL AND DIE SET FOR SLEEVE = Z80-293.
6. INSTRUCTION SHEETS ARE AVAILABLE.

AY	8	05.12.23	33391
NAME	ISS.	DATE	CN/CO
APPROVED: A.YEOMANS			
CHECKED: R.PORTLOCK			
DRAWN: R.ADDE			
ASSEMBLY DRG:			

DIMENSION	CALCULATION
DIM 'A'	4 x No. OF CONTACTS - 4.00
DIM 'B'	4 x No. OF CONTACTS + 5.00
DIM 'C'	4 x No. OF CONTACTS + 10.0
EXAMPLE: CONNECTOR WITH 08 COAX CONTACTS, M80-5000000M3-08-315-00-000 DIM 'A' = 28.00mm, DIM 'B' = 37.00mm, DIM 'C' = 42.00mm	

HARWIN

www.harwin.com

TOLERANCES
 X. = ±1mm
 X.X = ±0.50mm
 X.XX = ±0.20mm
 X.XXX = ±0.01mm
 ANGLES = ±5°
 UNLESS STATED

THIS DRAWING AND ANY INFORMATION OR DESCRIPTIVE MATTER SET OUT HEREON ARE CONFIDENTIAL AND COPYRIGHT PROPERTY OF THE HARWIN GROUP AND MUST NOT BE DISCLOSED, LOANED, COPIED OR USED FOR MANUFACTURING, TENDERING OR FOR ANY OTHER PURPOSE WITHOUT THEIR WRITTEN PERMISSION.

MATERIAL:
 SEE ABOVE

TITLE: DATAMATE MIX-TEK MALE ASSEMBLY WITH BOARD MOUNT J/SCREW

DRAWING NUMBER: M80-5000000M3-XX-XXX-00-000

SHT 4 OF 6

Customer Information Sheet

IF IN DOUBT - ASK



NOT TO SCALE

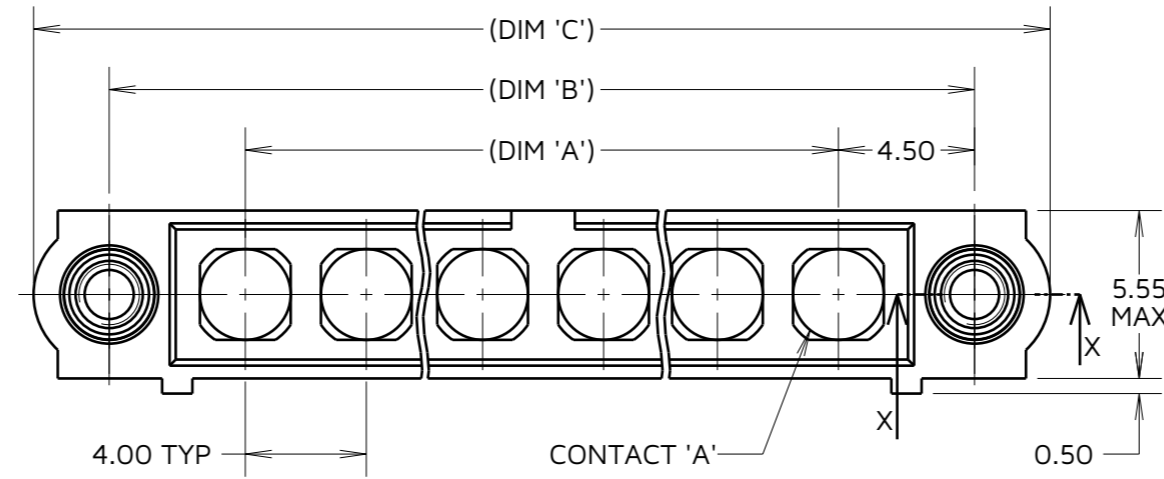
THIRD ANGLE PROJECTION

ALL DIMENSIONS IN mm

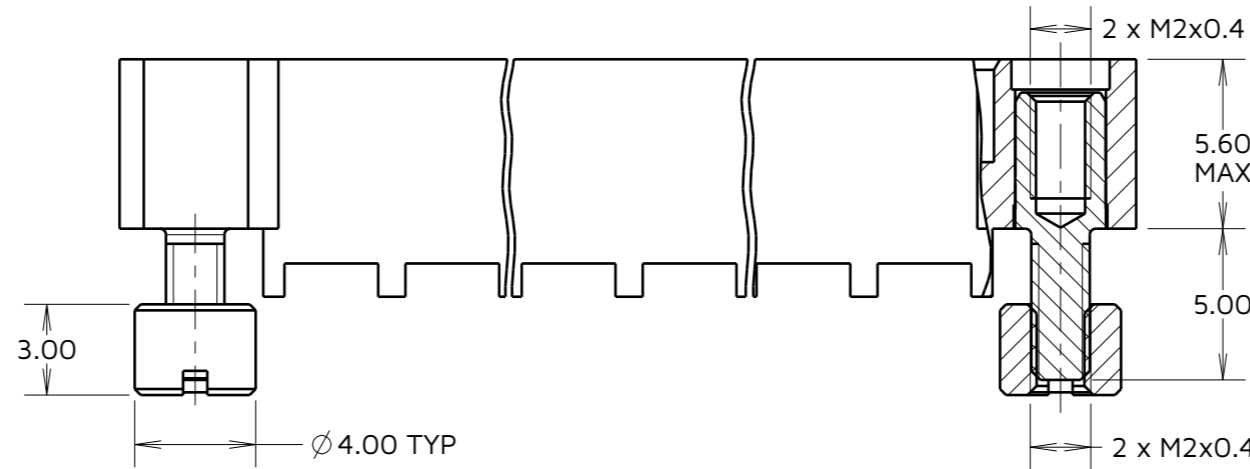
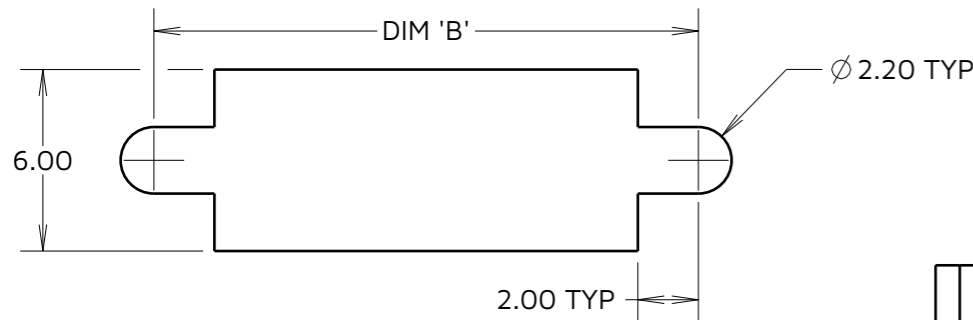
SPECIFICATIONS:

MATERIAL:
 MOULDING: GLASS FILLED PPS, UL94V-0, BLACK
POWER CONTACT:
 BODY, SLEEVE, INNER CONTACT, END PLUG = COPPER ALLOY
 LATCHING COLLAR = BERYLLIUM COPPER
 INSULATOR = PTFE
 101LOK RETAINER = STAINLESS STEEL
FINISH:
POWER CONTACT:
 BODY, SLEEVE, INNER CONTACT, END PLUG = GOLD
 LATCHING COLLAR = NICKEL
 FOR COMPLETE SPECIFICATION SEE COMPONENT SPECIFICATION CO05XX (LATEST ISSUE)

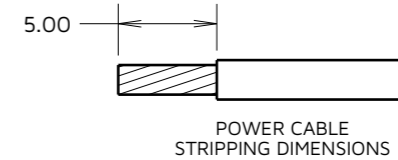
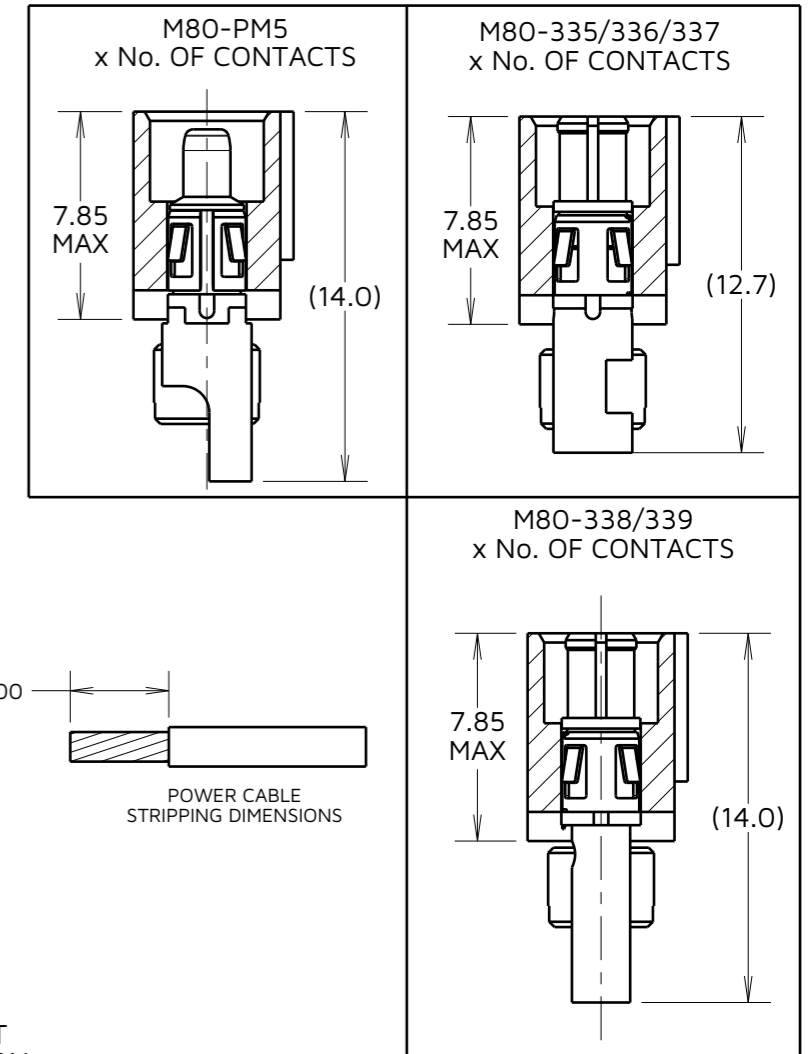
POWER CRIMP AND SOLDER CONTACTS ONLY



RECOMMENDED PCB CUT OUT
 ALL TOLERANCES ±0.05mm (UNLESS OTHERWISE STATED)



PART SECTION X-X



ORDER CODE: (POWER CRIMP/SOLDER CONTACTS)
M80-5000000M3-XX-XXX-00-000

TOTAL No. OF CONTACTS
 02 TO 12

SPECIAL CONTACTS (CRIMP)

- 335 = POWER CONTACT 12AWG SOLDER M80-335
- 336 = POWER CONTACT 14AWG SOLDER M80-336
- 337 = POWER CONTACT 16AWG SOLDER M80-337
- 338 = POWER CONTACT 18AWG SOLDER/CRIMP M80-338
- 339 = POWER CONTACT 20AWG SOLDER/CRIMP M80-339
- PM5 = POWER CONTACT 10AWG SOLDER M80-PM5

NOTES:

1. CONNECTORS ARE SUPPLIED WITH CONTACTS AND NUTS LOOSE.
2. FOR EXTRA POWER CONTACTS USE PART NUMBERS: M80-335/336/337/338/339/PM5.
3. CONTACT EXTRACTION TOOL = Z80-290.
4. RECOMMENDED HAND CRIMP TOOL FOR CONTACTS 338/339 = Z80-294 AND POSITIONER Z80-295.
5. INSTRUCTION SHEETS ARE AVAILABLE.

AY	8	05.12.23	33391
NAME	ISS.	DATE	CN/CO
APPROVED: A.YEOMANS			
CHECKED: R.PORTLOCK			
DRAWN: R.ADDE			
ASSEMBLY DRG:			

DIMENSION	CALCULATION
DIM 'A'	4 x No. OF CONTACTS - 4.00
DIM 'B'	4 x No. OF CONTACTS + 5.00
DIM 'C'	4 x No. OF CONTACTS + 10.0
EXAMPLE: CONNECTOR WITH 10 POWER CONTACTS, M80-5000000M3-10-335-00-000 DIM 'A' = 36.00mm, DIM 'B' = 45.00mm, DIM 'C' = 50.00mm	

HARWIN

www.harwin.com

TOLERANCES
 X. = ±1mm
 X.X = ±0.50mm
 X.XX = ±0.20mm
 X.XXX = ±0.01mm
 ANGLES = ±5°
 UNLESS STATED

THIS DRAWING AND ANY INFORMATION OR DESCRIPTIVE MATTER SET OUT HEREON ARE CONFIDENTIAL AND COPYRIGHT PROPERTY OF THE HARWIN GROUP AND MUST NOT BE DISCLOSED, LOANED, COPIED OR USED FOR MANUFACTURING, TENDERING OR FOR ANY OTHER PURPOSE WITHOUT THEIR WRITTEN PERMISSION.

MATERIAL:
 SEE ABOVE

TITLE: DATAMATE MIX-TEK
 MALE ASSEMBLY
 WITH BOARD MOUNT J/SCREW

DRAWING NUMBER:
 M80-5000000M3-XX-XXX-00-000

SHT
 5 OF 6

Customer Information Sheet

IF IN DOUBT - ASK

©

NOT TO SCALE

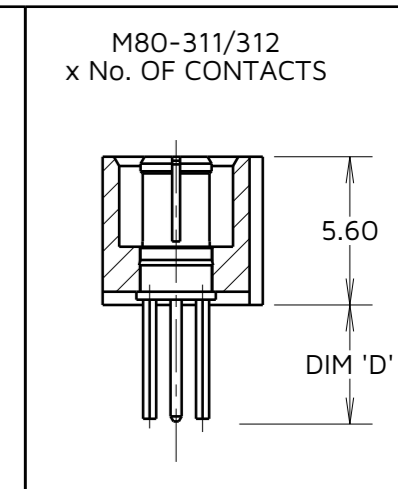
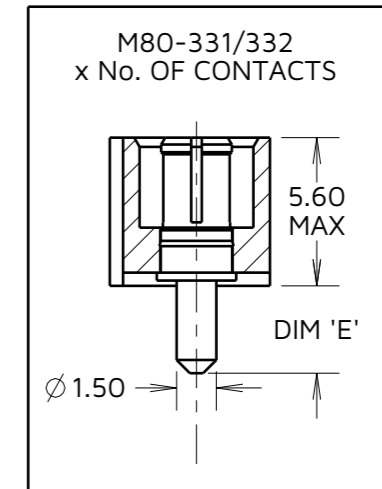
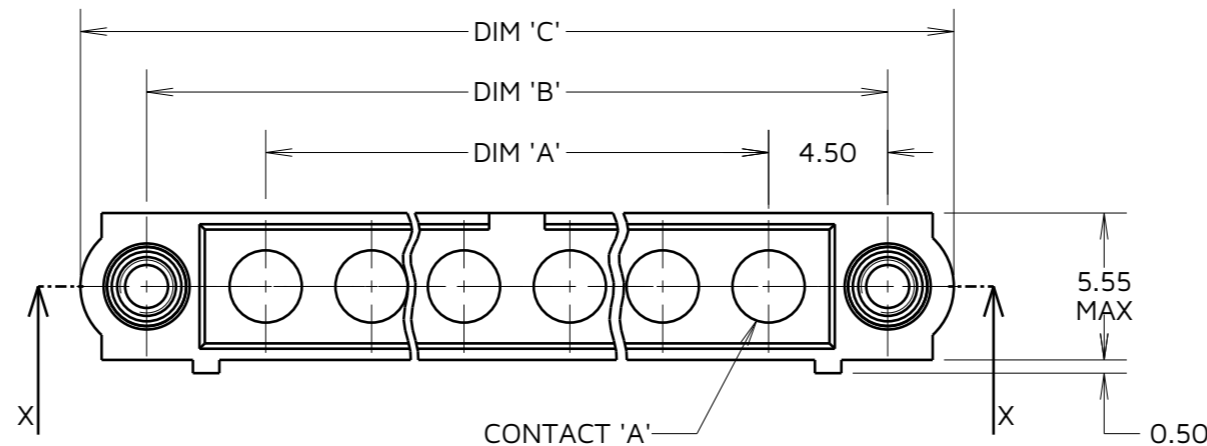
THIRD ANGLE PROJECTION

ALL DIMENSIONS IN mm

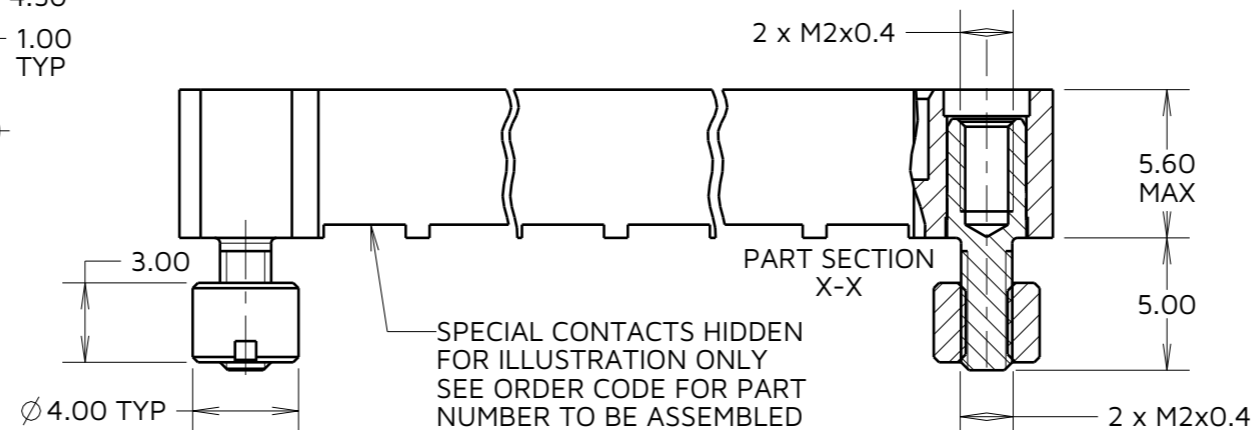
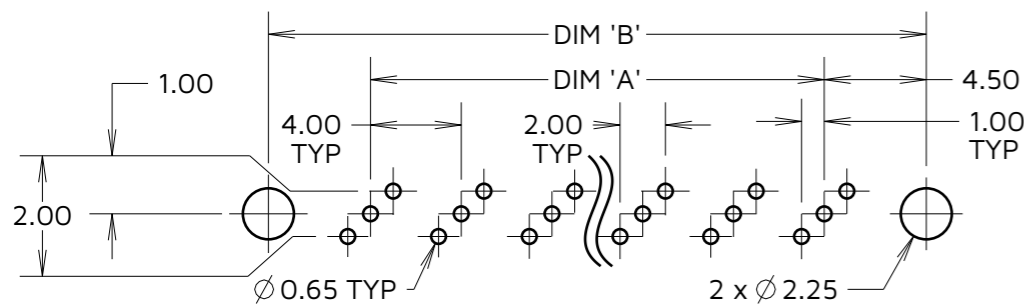
SPECIFICATIONS:

MATERIAL:
 MOULDING: GLASS FILLED PPS, UL94V-0, BLACK
 POWER CONTACT: COPPER ALLOY
 COAX CONTACT:
 BODY = COPPER ALLOY
 INNER CONTACT = COPPER ALLOY
 INSULATOR = PTFE
 JACKSCREW, NUT = STAINLESS STEEL
FINISH:
 POWER CONTACT: GOLD
 COAX CONTACT: BODY, INNER CONTACT = GOLD
 FOR COMPLETE SPECIFICATION SEE COMPONENT SPECIFICATION C005XX (LATEST ISSUE)

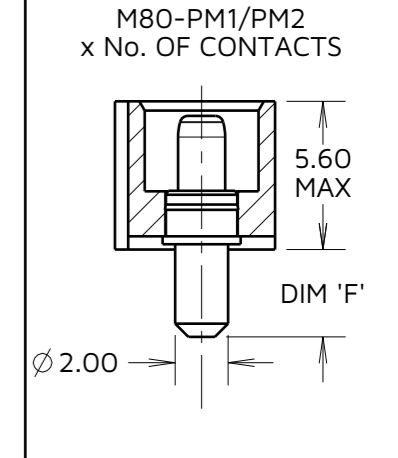
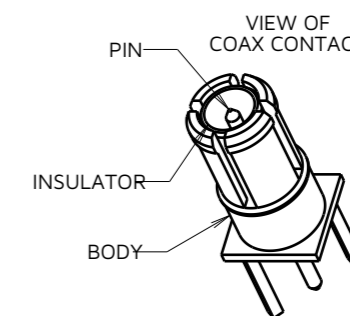
VERTICAL PC TAIL CONTACTS ONLY



RECOMMENDED PCB LAYOUT FOR COAX CONTACTS: M80-311/312
 ALL TOLERANCES ±0.05mm (UNLESS OTHERWISE STATED)



SPECIAL CONTACTS HIDDEN FOR ILLUSTRATION ONLY
 SEE ORDER CODE FOR PART NUMBER TO BE ASSEMBLED



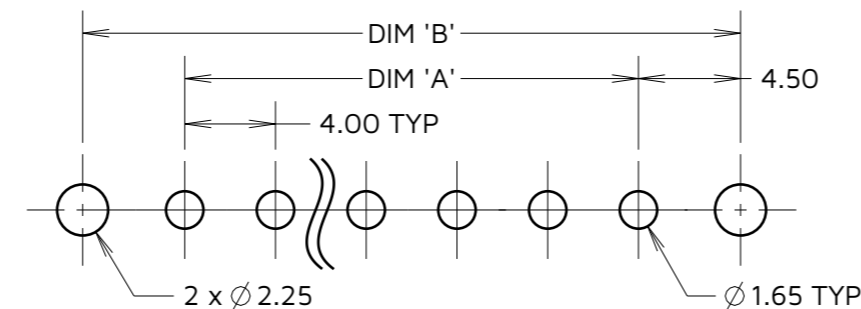
ORDER CODE: (VERTICAL PC TAIL CONTACTS ONLY)
M80-5000000M3-XX-XXX-00-000

TOTAL No. OF CONTACTS
 02 TO 12

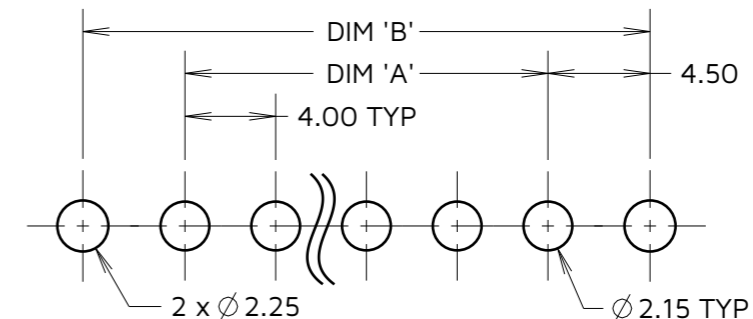
SPECIAL CONTACTS (PC TAIL)

311 = COAX CONTACT 3.0mm PC TAIL M80-311
 312 = COAX CONTACT 4.5mm PC TAIL M80-312
 331 = 20A POWER CONTACT 3.5mm VERT' PC TAIL M80-331
 332 = 20A POWER CONTACT 5.0mm VERT' PC TAIL M80-332
 PM1 = 40A POWER CONTACT 3.5mm VERT' PC TAIL M80-PM1
 PM2 = 40A POWER CONTACT 5.0mm VERT' PC TAIL M80-PM2

RECOMMENDED PCB LAYOUT FOR POWER CONTACTS: M80-331/332
 ALL TOLERANCES ±0.05mm (UNLESS OTHERWISE STATED)



RECOMMENDED PCB LAYOUT FOR POWER CONTACTS: M80-PM1/PM2
 ALL TOLERANCES ±0.05mm (UNLESS OTHERWISE STATED)



NOTE:
 1. CONNECTORS ARE SUPPLIED WITH NUTS LOOSE.

DIMENSION	CALCULATION
DIM 'A'	4 x No. OF CONTACTS - 4.00
DIM 'B'	4 x No. OF CONTACTS + 5.00
DIM 'C'	4 x No. OF CONTACTS + 10.0
DIM 'D'	M80-311 = 3.0mm, M80-312 = 4.5mm
DIM 'E'	M80-331 = 3.5mm, M80-332 = 5.0mm
DIM 'F'	M80-PM1 = 3.5mm, M80-PM2 = 5.0mm

EXAMPLE: CONNECTOR WITH 08 COAX CONTACTS,
 M80-5000000M3-08-311-00-000
 DIM 'A' = 28.00mm, DIM 'B' = 37.00mm, DIM 'C' = 42.00mm
 DIM 'D' = 3.0mm

AY	8	05.12.23	33391
NAME	ISS.	DATE	CN/CO
APPROVED: A.YEOMANS			
CHECKED: R.PORTLOCK			
DRAWN: R.ADDE			
ASSEMBLY DRG:			

HARWIN

www.harwin.com

TOLERANCES
 X. = ±1mm
 X.X = ±0.50mm
 X.XX = ±0.20mm
 X.XXX = ±0.01mm
 ANGLES = ±5°
 UNLESS STATED

THIS DRAWING AND ANY INFORMATION OR DESCRIPTIVE MATTER SET OUT HEREON ARE CONFIDENTIAL AND COPYRIGHT PROPERTY OF THE HARWIN GROUP AND MUST NOT BE DISCLOSED, LOANED, COPIED OR USED FOR MANUFACTURING, TENDERING OR FOR ANY OTHER PURPOSE WITHOUT THEIR WRITTEN PERMISSION.

MATERIAL:
 SEE ABOVE

TITLE: **DATAMATE MIX-TEK MALE ASSEMBLY WITH BOARD MOUNT J/SCREW**

DRAWING NUMBER: **M80-5000000M3-XX-XXX-00-000** SHT 6 OF 6