

DATA SHEET

For a complete data sheet, please also download:

- The IC06 74HC/HCT/HCU/HCMOS Logic Family Specifications
- The IC06 74HC/HCT/HCU/HCMOS Logic Package Information
- The IC06 74HC/HCT/HCU/HCMOS Logic Package Outlines

74HC/HCT4067 16-channel analog multiplexer/demultiplexer

Product specification
File under Integrated Circuits, IC06

September 1993

16-channel analog multiplexer/demultiplexer

74HC/HCT4067

FEATURES

- Low "ON" resistance:
80 Ω (typ.) at $V_{CC} = 4.5$ V
70 Ω (typ.) at $V_{CC} = 6.0$ V
60 Ω (typ.) at $V_{CC} = 9.0$ V
typical "break before make" built-in
- Output capability: non-standard
- I_{CC} category: MSI

GENERAL DESCRIPTION

The 74HC/HCT4067 are high-speed Si-gate CMOS devices and are pin compatible with the "4067" of the "4000B" series. They are specified in compliance with JEDEC standard no. 7A.

The 74HC/HCT4067 are 16-channel analog multiplexers/demultiplexers with four address inputs (S_0 to S_3), an active LOW enable input (\bar{E}), sixteen independent inputs/outputs (Y_0 to Y_{15}) and a common input/output (Z). The "4067" contains sixteen bidirectional analog switches, each with one side connected to an independent input/output (Y_0 to Y_{15}) and the other side connected to a common input/output (Z).

With \bar{E} LOW, one of the sixteen switches is selected (low impedance ON-state) by S_0 to S_3 . All unselected switches are in the high impedance OFF-state. With \bar{E} HIGH, all switches are in the high impedance OFF-state, independent of S_0 to S_3 .

The analog inputs/outputs (Y_0 to Y_{15} , and Z) can swing between V_{CC} as a positive limit and GND as a negative limit. V_{CC} to GND may not exceed 10 V.

QUICK REFERENCE DATA

GND = 0 V; $T_{amb} = 25$ °C; $t_r = t_f = 6$ ns

SYMBOL	PARAMETER	CONDITIONS	TYPICAL		UNIT
			HC	HCT	
t_{PZL}/t_{PZH}	turn-on time \bar{E} to V_{OS} S_n to V_{OS}	$C_L = 15$ pF; $R_L = 1$ k Ω ; $V_{CC} = 5$ V	26	32	ns
			29	33	ns
t_{PLZ}/t_{PHZ}	turn-off time \bar{E} to V_{OS} S_n to V_{OS}		27	26	ns
			29	30	ns
C_I	input capacitance		3.5	3.5	pF
C_{PD}	power dissipation capacitance per switch	notes 1 and 2	29	29	pF
C_S	max. switch capacitance independent (Y) common (Z)		5	5	pF
			45	45	pF

Notes

1. C_{PD} is used to determine the dynamic power dissipation (P_D in μ W):

$$P_D = C_{PD} \times V_{CC}^2 \times f_i + \sum \{ (C_L + C_S) \times V_{CC}^2 \times f_o \} \text{ where:}$$

f_i = input frequency in MHz

f_o = output frequency in MHz

$\sum \{ (C_L + C_S) \times V_{CC}^2 \times f_o \}$ = sum of outputs

C_L = output load capacitance in pF

C_S = max. switch capacitance in pF

V_{CC} = supply voltage in V

2. For HC the condition is $V_I = \text{GND to } V_{CC}$
For HCT the condition is $V_I = \text{GND to } V_{CC} - 1.5$ V

16-channel analog multiplexer/demultiplexer

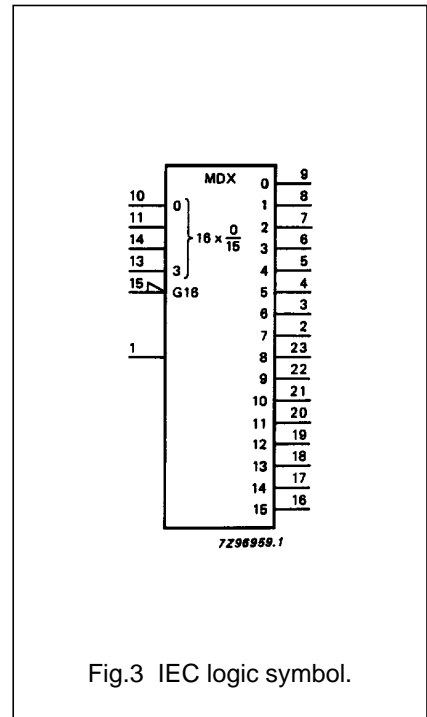
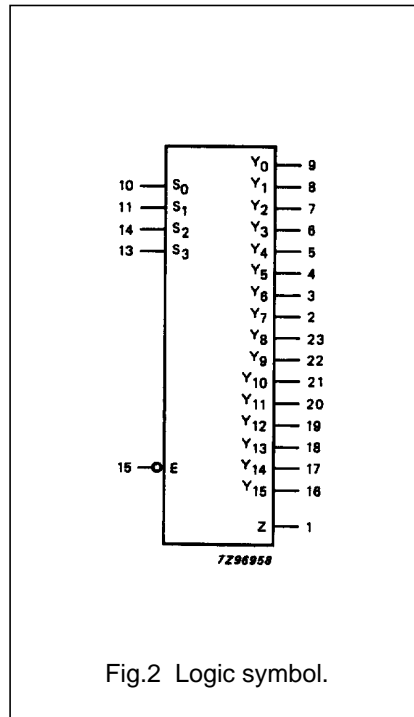
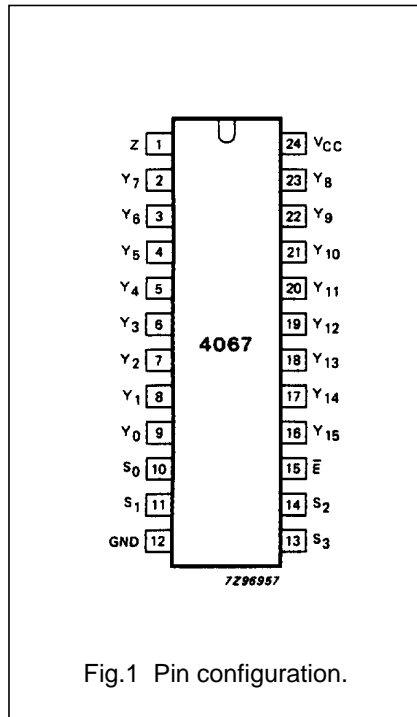
74HC/HCT4067

ORDERING INFORMATION

See "74HC/HCT/HCU/HCMOS Logic Package Information".

PIN DESCRIPTION

PIN NO.	SYMBOL	NAME AND FUNCTION
1	Z	common input/output
9, 8, 7, 6, 5, 4, 3, 2, 23, 22, 21, 20, 19, 18, 17, 16	Y ₀ to Y ₁₅	independent inputs/outputs
10, 11, 14, 13	S ₀ to S ₃	address inputs
12	GND	ground (0 V)
15	\bar{E}	enable input (active LOW)
24	V _{CC}	positive supply voltage

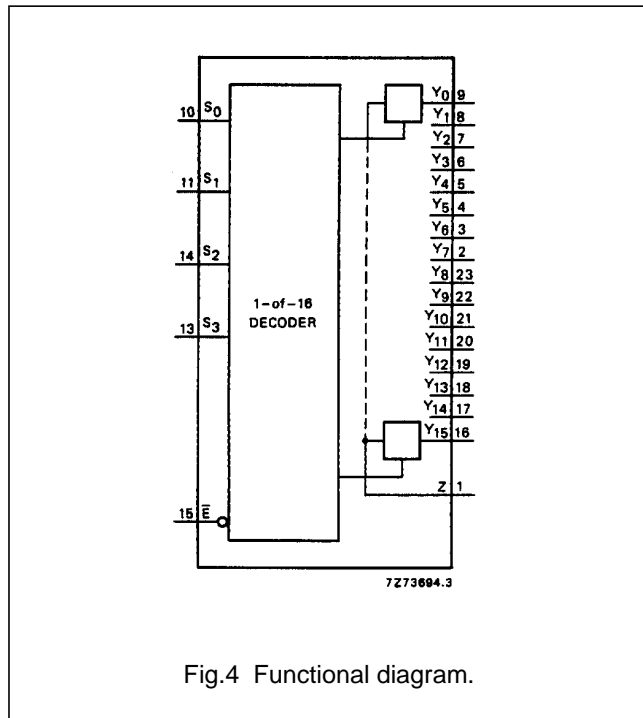


16-channel analog multiplexer/demultiplexer

74HC/HCT4067

APPLICATIONS

- Analog multiplexing and demultiplexing
- Digital multiplexing and demultiplexing
- Signal gating

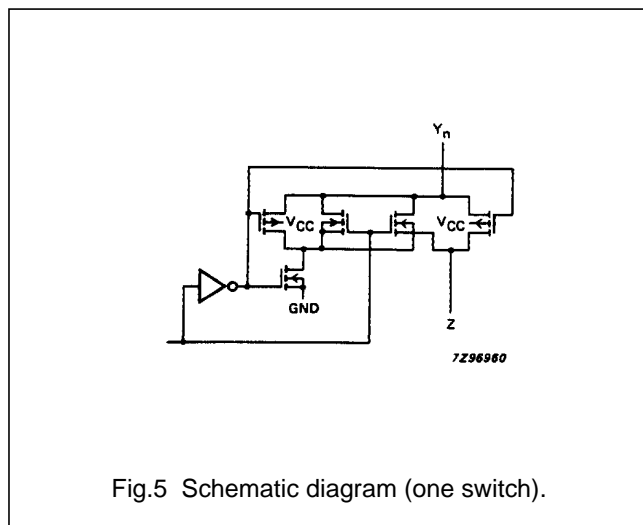


FUNCTION TABLE

INPUTS					CHANNEL ON
\bar{E}	S_3	S_2	S_1	S_0	
L	L	L	L	L	$Y_0 - Z$
L	L	L	L	H	$Y_1 - Z$
L	L	L	H	L	$Y_2 - Z$
L	L	L	H	H	$Y_3 - Z$
L	L	H	L	L	$Y_4 - Z$
L	L	H	L	H	$Y_5 - Z$
L	L	H	H	L	$Y_6 - Z$
L	L	H	H	H	$Y_7 - Z$
L	H	L	L	L	$Y_8 - Z$
L	H	L	L	H	$Y_9 - Z$
L	H	L	H	L	$Y_{10} - Z$
L	H	L	H	H	$Y_{11} - Z$
L	H	H	L	L	$Y_{12} - Z$
L	H	H	L	H	$Y_{13} - Z$
L	H	H	H	L	$Y_{14} - Z$
L	H	H	H	H	$Y_{15} - Z$
H	X	X	X	X	none

Notes

1. H = HIGH voltage level
L = LOW voltage level
X = don't care



16-channel analog
multiplexer/demultiplexer

74HC/HCT4067

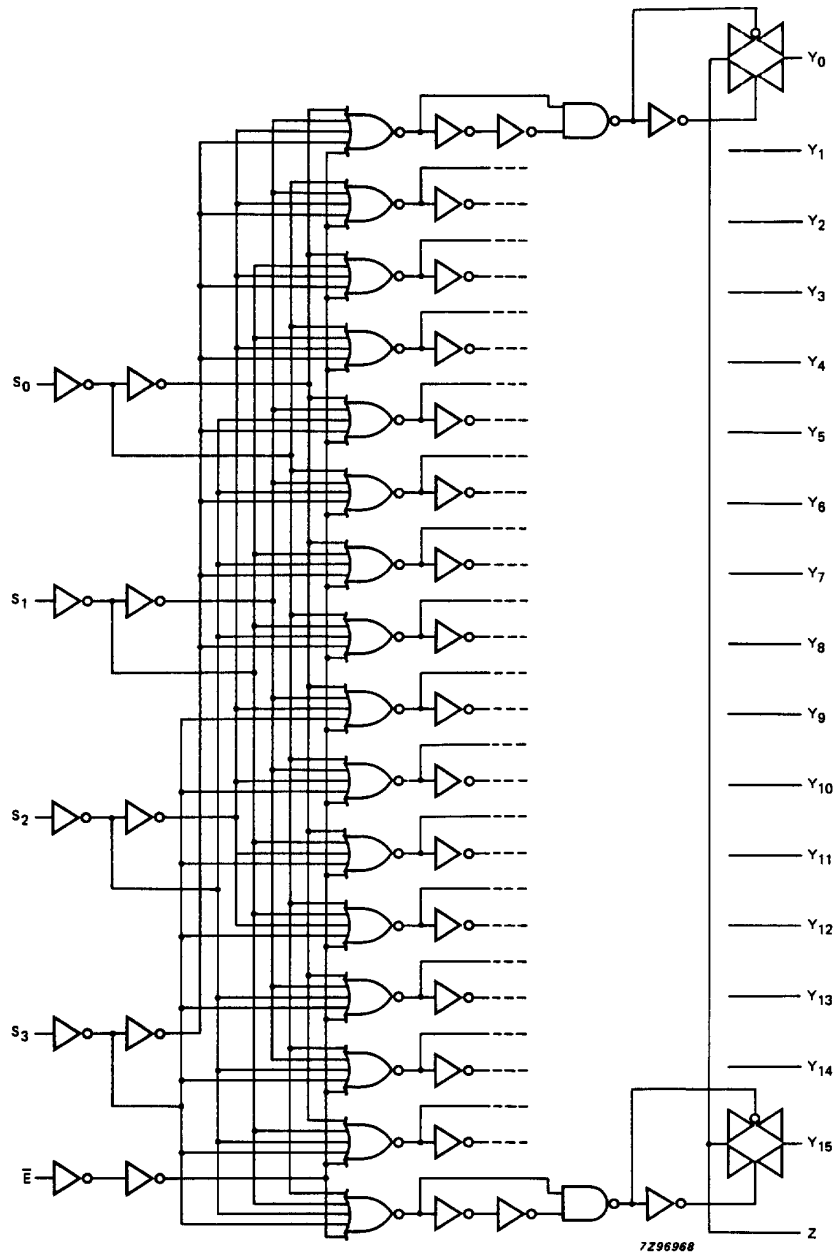


Fig.6 Logic diagram.

16-channel analog multiplexer/demultiplexer

74HC/HCT4067

RATINGS

Limiting values in accordance with the Absolute Maximum System (IEC 134)

Voltages are referenced to GND (ground = 0 V)

SYMBOL	PARAMETER	MIN.	MAX.	UNIT	CONDITIONS
V_{CC}	DC supply voltage	-0.5	+11.0	V	
$\pm I_{IK}$	DC digital input diode current		20	mA	for $V_I < -0.5$ or $V_I > V_{CC} + 0.5$ V
$\pm I_{SK}$	DC switch diode current		20	mA	for $V_S < -0.5$ or $V_S > V_{CC} + 0.5$ V
$\pm I_S$	DC switch current		25	mA	for -0.5 V $< V_S < V_{CC} + 0.5$ V
$\pm I_{CC}; \pm I_{GND}$	DC V_{CC} or GND current		50	mA	
T_{stg}	storage temperature range	-65	+150	°C	
P_{tot}	power dissipation per package				for temperature range: -40 to +125 °C 74HC/HCT
	plastic DIL		750	mW	above +70 °C: derate linearly with 12 mW/K
	plastic mini-pack (SO)		500	mW	above +70 °C: derate linearly with 8 mW/K
P_S	power dissipation per switch		100	mW	

Note

- To avoid drawing V_{CC} current out of terminal Z, when switch current flows in terminals Y_n , the voltage drop across the bidirectional switch must not exceed 0.4 V. If the switch current flows into terminal Z, no V_{CC} current will flow out of terminals Y_n . In this case there is no limit for the voltage drop across the switch, but the voltages at Y_n and Z may not exceed V_{CC} or GND.

RECOMMENDED OPERATING CONDITIONS

SYMBOL	PARAMETER	74HC			74HCT			UNIT	CONDITIONS
		min.	typ.	max.	min.	typ.	max.		
V_{CC}	DC supply voltage	2.0	5.0	10.0	4.5	5.0	5.5	V	
V_I	DC input voltage range	GND		V_{CC}	GND		V_{CC}	V	
V_S	DC switch voltage range	GND		V_{CC}	GND		V_{CC}	V	
T_{amb}	operating ambient temperature range	-40		+85	-40		+85	°C	see DC and AC CHARACTER- ISTICS
T_{amb}	operating ambient temperature range	-40		+125	-40		+125	°C	
t_r, t_f	input rise and fall times		6.0	1000 500 400 250		6.0	500	ns	$V_{CC} = 2.0$ V $V_{CC} = 4.5$ V $V_{CC} = 6.0$ V $V_{CC} = 10.0$ V

16-channel analog multiplexer/demultiplexer

74HC/HCT4067

DC CHARACTERISTICS FOR 74HC/HCT

For 74HC: $V_{CC} - GND = 2.0, 4.5, 6.0$ and 9.0 V

For 74HCT: $V_{CC} - GND = 4.5$ V

SYMBOL	PARAMETER	T_{amb} (°C)						UNIT	TEST CONDITIONS				
		74HC/HCT							V_{CC} (V)	I_S (μA)	V_{is}	V_I	
		+25			-40 to +85		-40 to +125						
		min.	typ.	max.	min.	max.	min.						max.
R_{ON}	ON-resistance (peak)		-	-		-		-	Ω	2.0	100	V_{CC} to GND	V_{IH} or V_{IL}
			110	180		225		270	Ω	4.5	1000		
			95	160		200		240	Ω	6.0	1000		
			75	130		165		195	Ω	9.0	1000		
R_{ON}	ON-resistance (rail)		150	-		-		-	Ω	2.0	100	GND or V_{CC}	V_{IH} or V_{IL}
			90	160		200		240	Ω	4.5	1000		
			80	140		175		210	Ω	6.0	1000		
			70	120		150		180	Ω	9.0	1000		
ΔR_{ON}	maximum variation of ON-resistance between any two channels		-						Ω	2.0		V_{CC} to GND	V_{IH} or V_{IL}
			9						Ω	4.5			
			8						Ω	6.0			
			6						Ω	9.0			

Notes

- At supply voltages ($V_{CC} - GND$) approaching 2 V, the analog switch ON-resistance becomes extremely non-linear. Therefore it is recommended that these devices be used to transmit digital signals only, when using these supply voltages.
- For test circuit measuring R_{ON} see Fig.7.

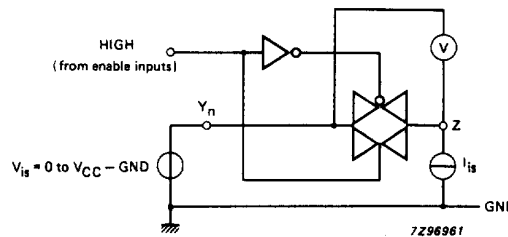


Fig.7 Test circuit for measuring ON-resistance (R_{ON}).

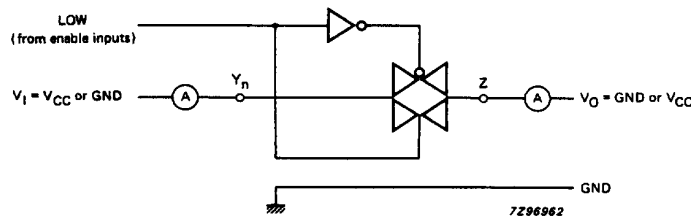


Fig.8 Test circuit for measuring OFF-state current.

16-channel analog multiplexer/demultiplexer

74HC/HCT4067

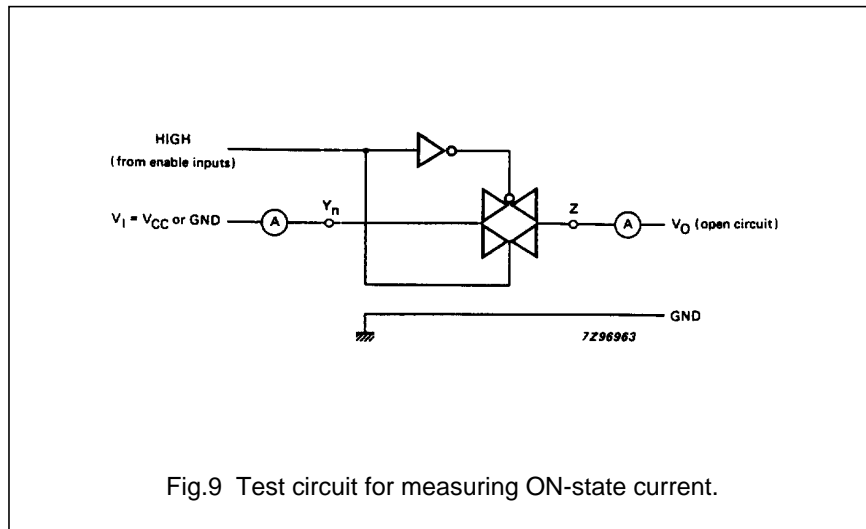


Fig.9 Test circuit for measuring ON-state current.

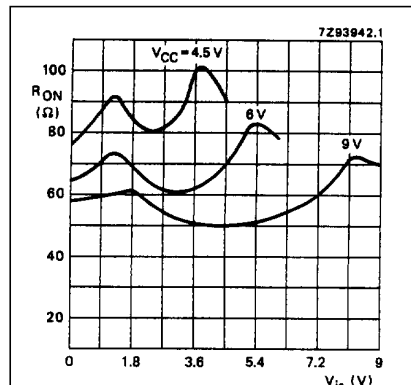


Fig.10 Typical ON-resistance (R_{ON}) as a function of input voltage (V_{is}) for $V_{is} = 0$ to $V_{CC} - GND$.

DC CHARACTERISTICS FOR 74HC

Voltages are referenced to GND (ground = 0 V)

SYMBOL	PARAMETER	$T_{amb} (^{\circ}C)$							UNIT	TEST CONDITIONS		
		74HC								V_{CC} (V)	V_I	OTHER
		+25			-40 to +85		-40 to +125					
		min.	typ.	max.	min.	max.	min.	max.				
V_{IH}	HIGH level input voltage	1.5	1.2		1.5		1.5		V	2.0		
		3.15	2.4		3.15		3.15			4.5		
		4.2	3.2		4.2		4.2			6.0		
		6.3	4.7		6.3		6.3			9.0		
V_{IL}	LOW level input voltage		0.8	0.50		0.50		0.50	V	2.0		
			2.1	1.35		1.35		1.35		4.5		
			2.8	1.80		1.80		1.80		6.0		
			4.3	2.70		2.70		2.70		9.0		
$\pm I_I$	input leakage current			0.1		1.0		1.0	μA	6.0	V_{CC} or GND	
				0.2		2.0		2.0		10.0		
$\pm I_S$	analog switch OFF-state current per channel			0.1		1.0		1.0	μA	10.0	V_{IH} or V_{IL}	$ V_S = V_{CC} - GND$ (see Fig.8)
$\pm I_S$	analog switch OFF-state current all channels			0.8		8.0		8.0	μA	10.0	V_{IH} or V_{IL}	$ V_S = V_{CC} - GND$ (see Fig.9)
$\pm I_S$	analog switch ON-state current			0.8		8.0		8.0	μA	10.0	V_{IH} or V_{IL}	$ V_S = V_{CC} - GND$ (see Fig.9)
I_{CC}	quiescent supply current			8.0		80.0		160	μA	6.0	V_{CC} or GND	$V_{is} = GND$ or V_{CC} ; $V_{os} = V_{CC}$ or GND
				16.0		160		320		10.0		

16-channel analog multiplexer/demultiplexer

74HC/HCT4067

AC CHARACTERISTICS FOR 74HCGND = 0 V; $t_r = t_f = 6$ ns; $C_L = 50$ pF

SYMBOL	PARAMETER	T _{amb} (°C)						UNIT	TEST CONDITIONS		
		74HC							V _{CC} (V)	OTHER	
		+25			-40 to +85		-40 to +125				
		min.	typ.	max.	min.	max.	min.				max.
t _{PHL} / t _{PLH}	propagation delay V _{is} to V _{os} ; Y _n to Z		25	75		95		110	ns	2.0 4.5 6.0 9.0	R _L = ∞; C _L = 50 pF (see Fig.16)
			9	15		19		22			
			7	13		16		19			
			5	9		11		14			
t _{PHL} / t _{PLH}	propagation delay V _{is} to V _{os} ; Z to Y _n		18	60		75		90	ns	2.0 4.5 6.0 9.0	
			6	12		15		18			
			5	10		13		15			
			4	8		10		12			
t _{PHZ} / t _{PLZ}	turn-off time Ē to Y _n		74	250		315		375	ns	2.0 4.5 6.0 9.0	
			27	50		63		75			
			22	43		54		64			
			20	38		48		57			
t _{PHZ} / t _{PLZ}	turn-off time S _n to Y _n		83	250		315		375	ns	2.0 4.5 6.0 9.0	
			30	50		63		75			
			24	43		54		64			
			21	38		48		57			
t _{PHZ} / t _{PLZ}	turn-off time Ē to Z		85	275		345		415	ns	2.0 4.5 6.0 9.0	
			31	55		69		83			
			25	47		59		71			
			24	42		53		63			
t _{PHZ} / t _{PLZ}	turn-off time S _n to Z		94	290		365		435	ns	2.0 4.5 6.0 9.0	
			34	58		73		87			
			27	47		62		74			
			25	45		56		68			
t _{PZH} / t _{PZL}	turn-on time Ē to Y _n		80	275		345		415	ns	2.0 4.5 6.0 9.0	
			29	55		69		83			
			23	47		59		71			
			17	42		53		63			
t _{PZH} / t _{PZL}	turn-on time S _n to Y _n		88	300		375		450	ns	2.0 4.5 6.0 9.0	
			32	60		75		90			
			26	51		64		77			
			18	45		56		68			
t _{PZH} / t _{PZL}	turn-on time Ē to Z		85	275		345		415	ns	2.0 4.5 6.0 9.0	
			31	55		69		83			
			25	47		59		71			
			18	42		53		63			
t _{PZH} / t _{PZL}	turn-on time S _n to Z		94	300		375		450	ns	2.0 4.5 6.0 9.0	
			34	60		75		90			
			27	51		64		77			
			19	45		56		68			

16-channel analog multiplexer/demultiplexer

74HC/HCT4067

Note to AC CHARACTERISTICS FOR 74HC

- Due to higher Z terminal capacitance (16 switches versus 1) the delay figures to the Z terminal are higher than those to the Y terminal.

DC CHARACTERISTICS FOR 74HCT

Voltages are referenced to GND (ground = 0 V)

SYMBOL	PARAMETER	T_{amb} (°C)							UNIT	TEST CONDITIONS		
		74HCY								V_{CC} (V)	V_I	OTHER
		+25			-40 to +85		-40 to +125					
		min.	typ.	max.	min.	max.	min.	max.				
V_{IH}	HIGH level input voltage	2.0	1.6		2.0		2.0		V	4.5 to 5.5		
V_{IL}	LOW level input voltage		1.2	0.8		0.8		0.8	V	4.5 to 5.5		
$\pm I_I$	input leakage current			0.1		1.0		1.0	μA	5.5	V_{CC} or GND	
$\pm I_S$	analog switch OFF-state current per channel			0.1		1.0		1.0	μA	5.5	V_{IH} or V_{IL}	$ V_S = V_{CC} - GND$ (see Fig.8)
$\pm I_S$	analog switch OFF-state current all channels			0.8		8.0		8.0	μA	5.5	V_{IH} or V_{IL}	$ V_S = V_{CC} - GND$ (see Fig.9)
$\pm I_S$	analog switch ON-state current			0.8		8.0		8.0	μA	5.5	V_{IH} or V_{IL}	$ V_S = V_{CC} - GND$ (see Fig.9)
I_{CC}	quiescent supply current			8.0		80.0		160	μA	4.5 to 5.5	V_{CC} or GND	$V_{is} = GND$ or V_{CC} ; $V_{os} = V_{CC}$ or GND
ΔI_{CC}	additional quiescent supply current per input pin for unit load coefficient is 1 (note 1)		100	360		450		490	μA	4.5 to 5.5	V_{CC} -2.1 V	other inputs at V_{CC} or GND

Note

- The value of additional quiescent supply current (ΔI_{CC}) for a unit load of 1 is given here. To determine ΔI_{CC} per input, multiply this value by the unit load coefficient shown in the table below.

INPUT	UNIT LOAD COEFFICIENT
\bar{E}	0.6
S_n	0.5

16-channel analog multiplexer/demultiplexer

74HC/HCT4067

AC CHARACTERISTICS FOR 74HCTGND = 0 V; $t_r = t_f = 6$ ns

SYMBOL	PARAMETER	T _{amb} (°C)						UNIT	TEST CONDITIONS		
		74HCT							V _{CC} (V)	OTHER	
		+25			-40 to +85		-40 to +125				
		min.	typ.	max.	min.	max.	min.				max.
t _{PHL} / t _{PLH}	propagation delay V _{is} to V _{os} ; Y _n to Z		9	15		19		22	ns	4.5	R _L = ∞; C _L = 50 pF (see Fig.16)
t _{PHL} / t _{PLH}	propagation delay V _{is} to V _{os} ; Z to Y _n		6	12		15		18	ns	4.5	
t _{PHZ} / t _{PLZ}	turn-off time Ē to Y _n		26	55		69		83	ns	4.5	R _L = 1 kΩ; C _L = 50 pF (see Fig.17)
t _{PHZ} / t _{PLZ}	turn-off time S _n to Y _n		31	55		69		83	ns	4.5	
t _{PHZ} / t _{PLZ}	turn-off time Ē to Z		30	60		75		90	ns	4.5	
t _{PHZ} / t _{PLZ}	turn-off time S _n to Z		35	60		75		90	ns	4.5	
t _{PZH} / t _{PZL}	turn-on time Ē to Y _n		32	60		75		90	ns	4.5	
t _{PZH} / t _{PZL}	turn-on time S _n to Y _n		35	60		75		90	ns	4.5	
t _{PZH} / t _{PZL}	turn-on time Ē to Z		38	65		81		98	ns	4.5	
t _{PZH} / t _{PZL}	turn-on time S _n to Z		38	65		81		98	ns	4.5	

Note

1. Due to higher Z terminal capacitance (16 switches versus 1) the delay figures to the Z terminal are higher than those to the Y terminal.

16-channel analog multiplexer/demultiplexer

74HC/HCT4067

ADDITIONAL AC CHARACTERISTICS FOR 74HC/HCT

Recommended conditions and typical values

GND = 0 V; $t_r = t_f = 6$ ns

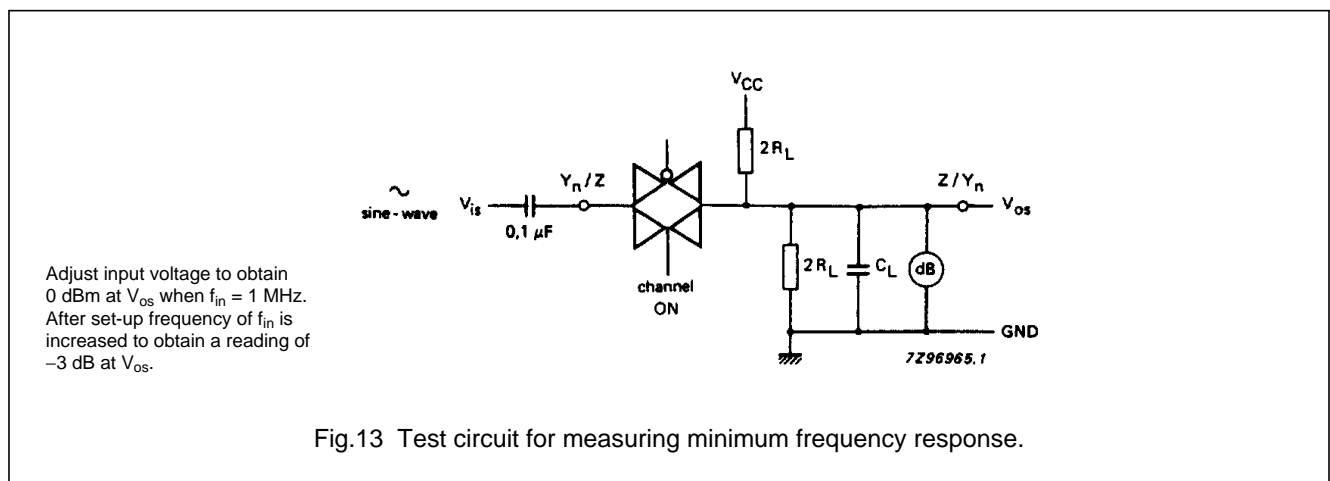
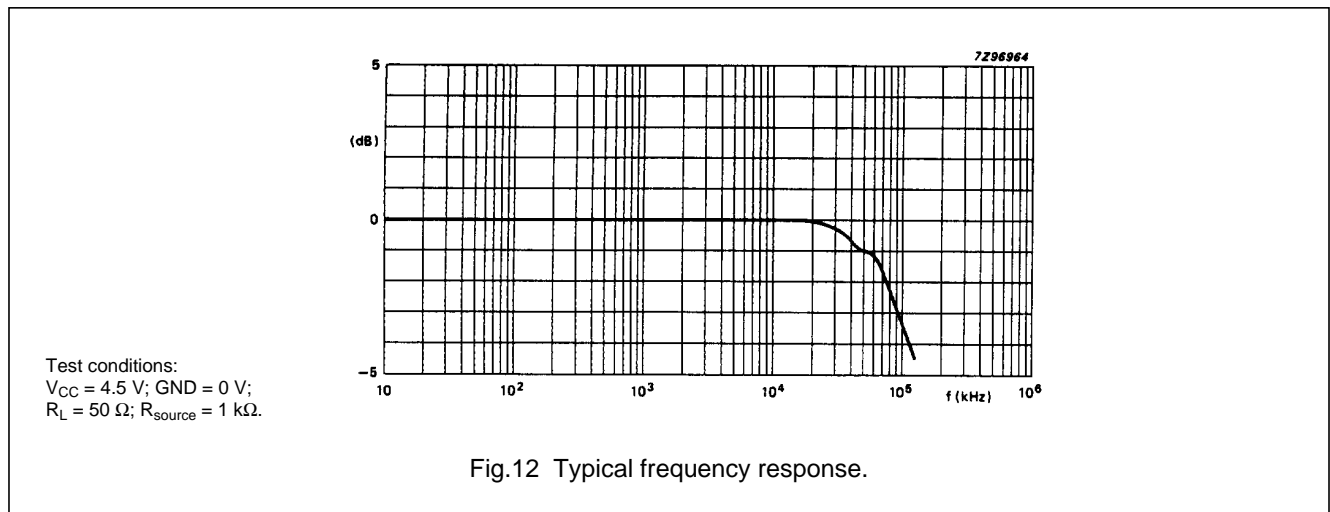
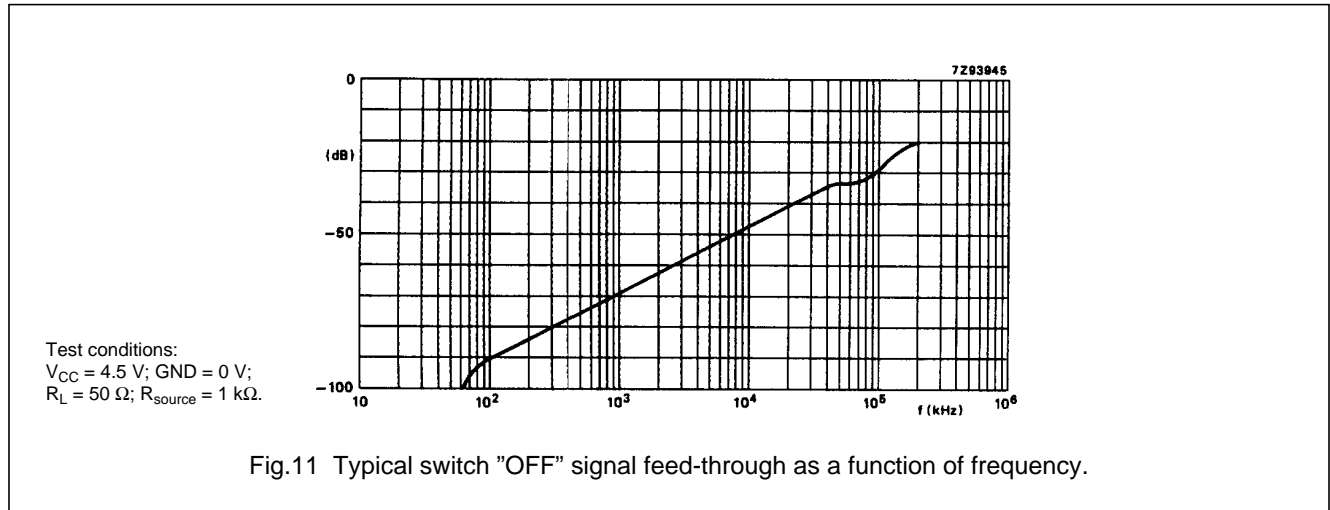
SYMBOL	PARAMETER	TYP.	UNIT	V _{CC} (V)	V _{is(p-p)} (V)	CONDITIONS
	sine-wave distortion f = 1 kHz	0.04 0.02	% %	4.5 9.0	4.0 8.0	R _L = 10 kΩ; C _L = 50 pF (see Fig.14)
	sine-wave distortion f = 10 kHz	0.12 0.06	% %	4.5 9.0	4.0 8.0	R _L = 10 kΩ; C _L = 50 pF (see Fig.14)
	switch "OFF" signal feed-through	-50 -50	dB dB	4.5 9.0	note 3	R _L = 600 Ω; C _L = 50 pF f = 1 MHz (see Figs 11 and 15)
f _{max}	minimum frequency response (-3 dB)	90 100	MHz MHz	4.5 9.0	note 4	R _L = 50 Ω; C _L = 10 pF (see Figs 12 and 13)
C _S	maximum switch capacitance independent (Y) common (Z)	5 45	pF pF			

Notes

1. V_{is} is the input voltage at Y_n or Z terminal, whichever is assigned as an input.
2. V_{os} is the output voltage at Y_n or Z terminal, whichever is assigned as an output.
3. Adjust input voltage V_{is} is 0 dBm level (0 dBm = 1 mW into 600 Ω).
4. Adjust input voltage V_{is} is 0 dBm level at V_{os} for 1 MHz (0 dBm = 1 mW into 50 Ω).

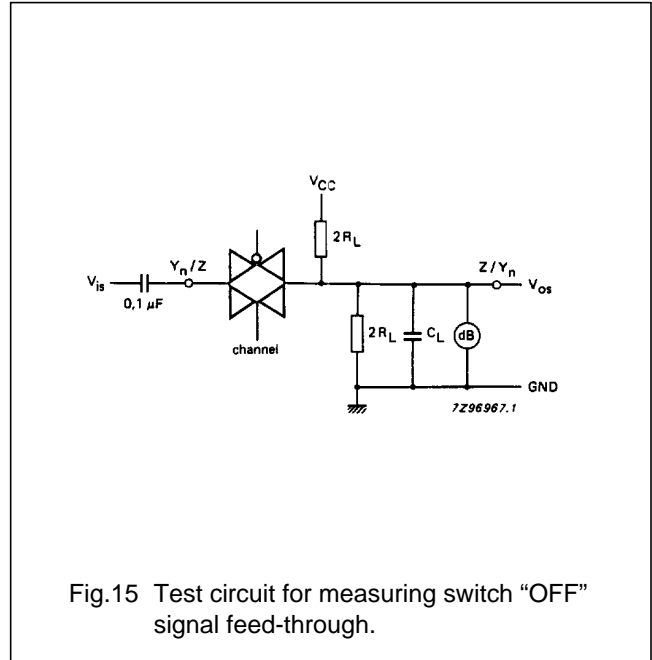
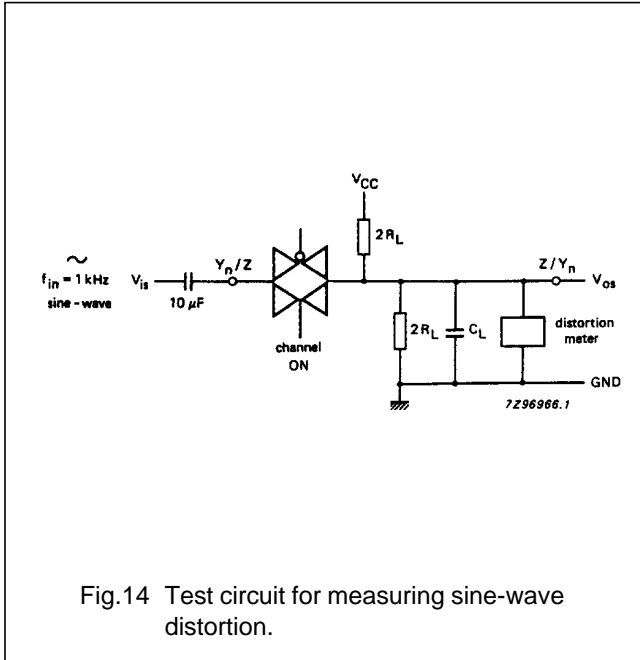
16-channel analog multiplexer/demultiplexer

74HC/HCT4067

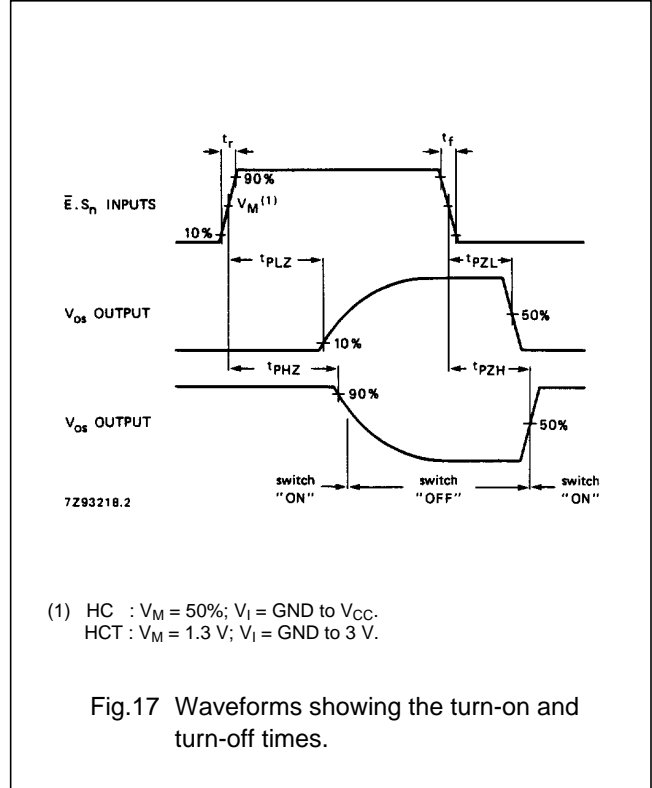
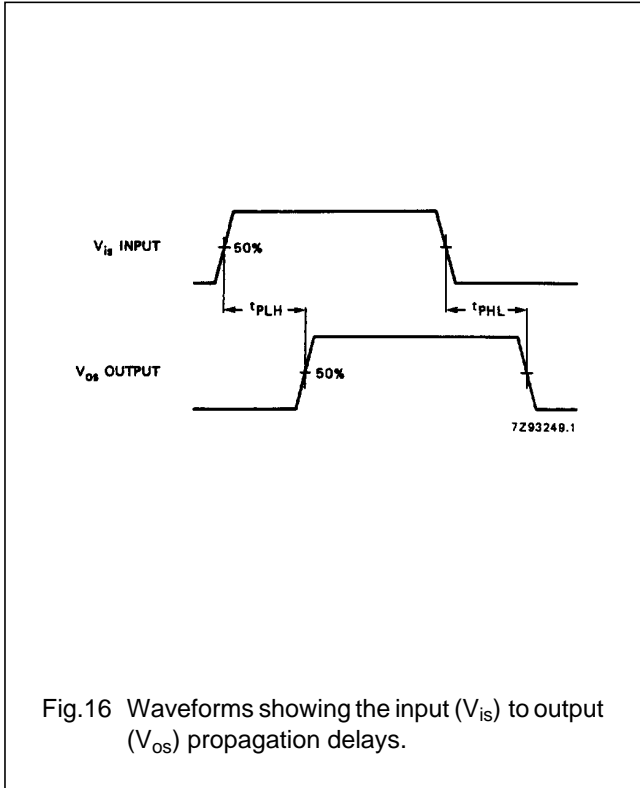


16-channel analog multiplexer/demultiplexer

74HC/HCT4067



AC WAVEFORMS



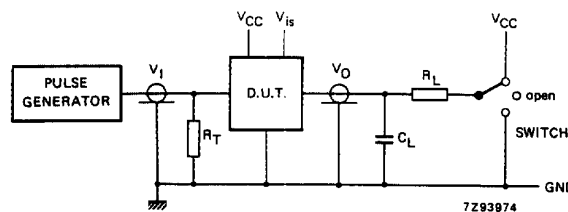
16-channel analog multiplexer/demultiplexer

74HC/HCT4067

TEST CIRCUIT AND WAVEFORMS

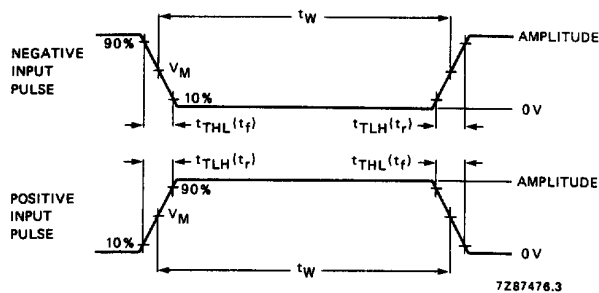
Conditions

TEST	SWITCH	V _{is}
t _{PZH}	GND	V _{CC}
t _{PZL}	V _{CC}	GND
t _{PHZ}	GND	V _{CC}
t _{PLZ}	V _{CC}	GND
others	open	pulse



- C_L = load capacitance including jig and probe capacitance (see AC CHARACTERISTICS for values).
- R_T = termination resistance should be equal to the output impedance Z_O of the pulse generator.
- t_r = t_f = 6 ns, when measuring f_{max}, there is no constraint on t_r, t_f with 50% duty factor.

Fig.18 Test circuit for measuring AC performance.



FAMILY	AMPLITUDE	V _M	t _r , t _f	
			f _{max} ; PULSE WIDTH	OTHER
74HC	V _{CC}	50%	< 2 ns	6 ns
74HCT	3.0 V	1.3 V	< 2 ns	6 ns

Fig.19 Input pulse definitions.

PACKAGE OUTLINES

See "74HC/HCT/HCU/HCMOS Logic Package Outlines".