

MATERIAL

Knurled aluminium profile, anodised, black colour.

CAP

Acetal resin based (POM) technopolymer, light-grey colour.

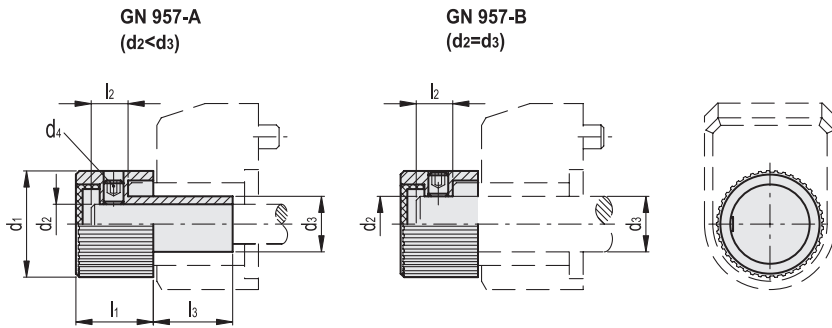
STANDARD EXECUTIONS

Assembly by means of a supplied stainless steel transversal grub screw with hexagon socket.

- **GN 957-A:** for assembly on shafts $d_2 < \text{hole } d_3$
- **GN 957-B:** for assembly on shafts $d_2 = \text{hole } d_3$

FEATURES AND APPLICATIONS

Use together with position indicators type DD50 (see page 660), DD51 (see page 662), DD52R (see page 665), DD51-E (see page 670) and DD52R-E (see page 672) whenever a manual fine adjustment is required.



GN 957-A

Code	Description	d1	d2 H8	d3	d4	l1	l2 min.	l2 max.	l3	⚖️
GN.27901	GN 957-22-B6-A	22	6	10	M4	15.5	4.5	9.6	10	19
GN.27903	GN 957-22-B8-A	22	8	10	M4	15.5	4.5	9.6	10	18
GN.27911	GN 957-27-B6-A	27	6	14	M5	19.5	6	11.3	14	28
GN.27913	GN 957-27-B8-A	27	8	14	M5	19.5	6	11.3	14	26
GN.27915	GN 957-27-B10-A	27	10	14	M5	19.5	6	11.3	14	24
GN.27917	GN 957-27-B12-A	27	12	14	M5	19.5	6	11.3	14	22
GN.27931	GN 957-42-B10-A	42	10	20	M6	24	6.5	15	16	72
GN.27933	GN 957-42-B12-A	42	12	20	M6	24	6.5	15	16	69
GN.27935	GN 957-42-B14-A	42	14	20	M6	24	6.5	15	16	66
GN.27936	GN 957-42-B15-A	42	15	20	M6	24	6.5	15	16	64
GN.27937	GN 957-42-B16-A	42	16	20	M6	24	6.5	15	16	62

GN 957-B

Code	Description	d1	d2 H8	d3	d4	l1	l2 min.	l2 max.	⚖️
GN.27905	GN 957-22-B10-B	22	10	10	M4	15.5	4.5	9.6	8
GN.27919	GN 957-27-B14-B	27	14	14	M5	19.5	6	11.3	12
GN.27939	GN 957-42-B20-B	42	20	20	M6	24	6.5	15	24



Control elements